



INLINE BLOWER

Certificated by ISO 8846-Direction CE94/25N °3016808



- Compact and simple design
- Flexible installation
- Low power consumption
- Quiet operation
- Mets iso 8846 en55014 standards
- Five blade design maximizes flow and performance
- Long motor lifetime from powerful airflow colling.

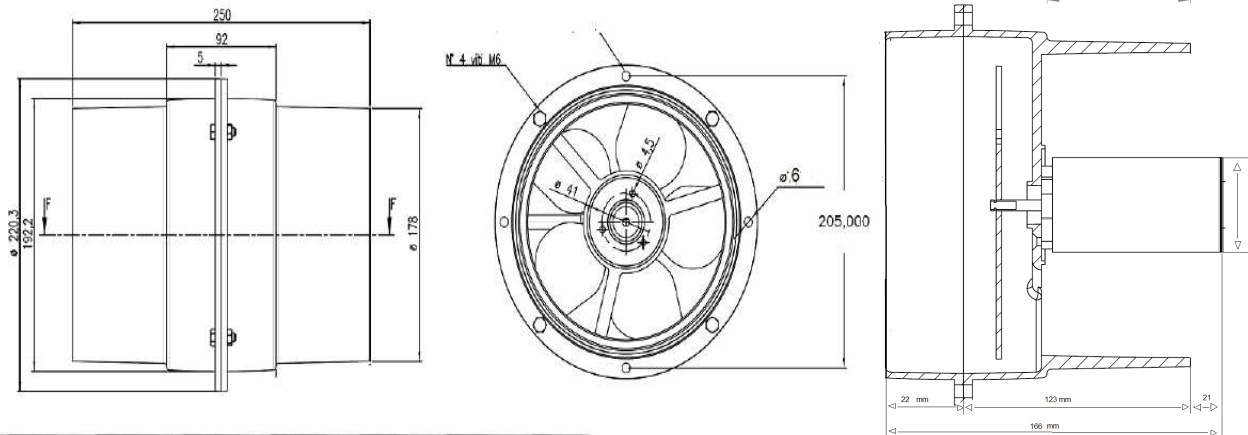
PART. N.	VOLT	AMP	STATIC PRESSURE	FLOW MC/	HOSE	DIMENSIONS
5500105012	12	5	30 mm h2O	750 mc/h	178 mm	220x250 mm
5500105024	24	3	30 mm h2O	750 mc/h	178 mm	220x250 mm
5500105512	12	5	30 mm h2O	750 mc/h	178 mm	220x160 mm
5500105524	24	3	30 mm h2O	750 mc/h	178 mm	220x160 mm

A modern Inline blowers utilizing advanced fan blade design techniques suitable for bulkhead mounting and for receiving 178 mm. diameter hoses.

Matromarine has developed a blower system that matches air flow of existing in-line blowers at a significantly reduced noise

level. The first vane axial-flow bilge blowers designed using aerospace technology to maximize performance. No other bilge blowers in the industry provides such a powerful system output at such a low power input in a compact size.

For added durability, Matromarine incorporates an engineered plastic housing that resists deformation during installation and prevents blade from housing interference.



WARNING Explosion hazard. Gasoline vapors can explode. Before starting engine, operate blower for 4 minutes and check engine compartment bilge for gasoline vapors. Run blower below cruising speed. Failure to do so can result in injury or death.

WIRING: Use stranded copper wire. For lengths up to 25 feet (7,6 in) from power source: Use 2 mm. wire for 12 volt and 1.5 wire for 24 volt. Use larger wire for longer lengths. Circuit must be protected with a fuse. Suggested fuse sizes are listed in the specification table. Fuse size: 7 Amp

LIMITED WARRANTY: MATROMARINE warrants that at the time of shipment, the products manufactured by MATROMARINE and sold hereunder shall be in conformity with applicable **written** specifications **and** descriptions referred to or set forth herein, free from defects in material and workmanship, merchantable, and suitable for a particular purpose, provided such is implied by State law under the circumstances of this sale.

1. Matromarine agrees to repair or furnish a replacement for, **but** not to remove or install, any product or component thereof which, within one

- (1) year from date of purchase, shall upon test and examination by MATROMARINE
- (2) prove defective within the above warranty. Receipt verifying purchase date is required to obtain the claimed goods

3, No product will be accepted for return or replacement without the prior written authorization of MATROMARINE. Upon such authorization, and in accordance with instructions from Matromarine, the product will be returned to our factory, shipping charges prepaid by Buyer.