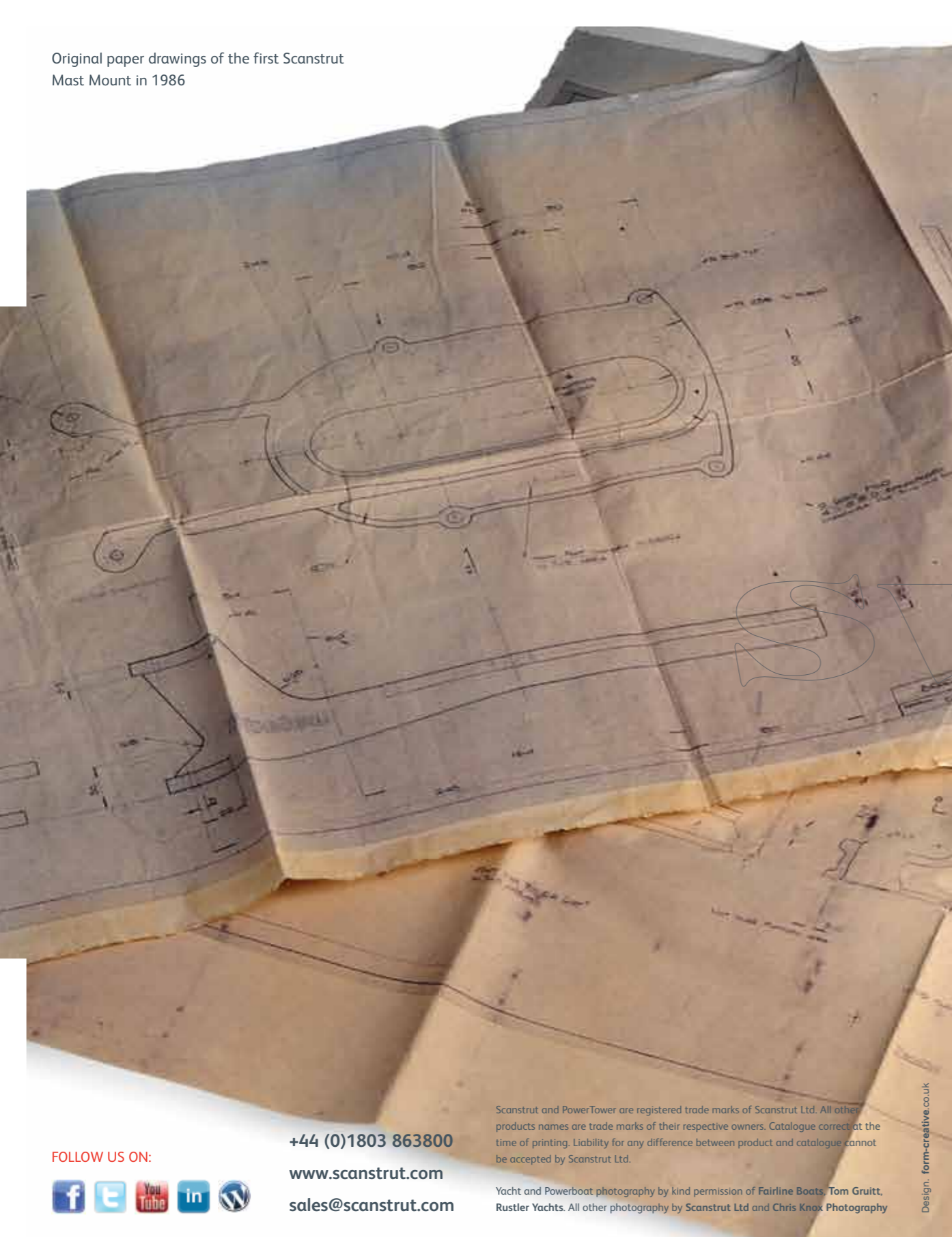


Original paper drawings of the first Scanstrut Mast Mount in 1986

25 YEARS

SCANSTRUT
1986-2011



Scanstrut and PowerTower are registered trade marks of Scanstrut Ltd. All other products names are trade marks of their respective owners. Catalogue correct at the time of printing. Liability for any difference between product and catalogue cannot be accepted by Scanstrut Ltd.

Yacht and Powerboat photography by kind permission of Fairline Boats, Tom Gruitt, Rustler Yachts. All other photography by Scanstrut Ltd and Chris Knox Photography

Design: form-creative.co.uk



FOLLOW US ON:



+44 (0)1803 863800

www.scanstrut.com

sales@scanstrut.com

PRODUCT GUIDE / 2011

Installation Solutions for Marine Electronics

Welcome

DESIGNED FOR THE SEA

Scanstrut is 25 years old this year!

I would like to personally thank all our customers, today and over the last 25 years, for choosing our award-winning products. We are here for you, dedicated to providing innovative and great value solutions backed-up with outstanding customer service.

Our 2011 range is our best ever and includes our award-winning deck seals, a brand new Scanpod range and our stunning tapered mast for powerboats.

Thank you all for your support and loyalty and we look forward to many more years of service to our customers.

Tom Reed
Managing Director



SCANSTRUT

Contents

INSTALLATION SOLUTIONS FOR MARINE ELECTRONICS

NEW DESIGN SCANPOD	02	CAMERA MOUNTS	30
HELM POD	04	NEW DECK SEALS	31
FLEX MOUNT SYSTEM	05	ACCESSORIES	32
DECK POD	06	NEW SCANSTRUT DESIGN CONSULTANCY	36
MAST POD	07	PART NUMBER GUIDE	38
CARBON MAST POD	07	DISTRIBUTION	41
POWERBOAT PRODUCTS	08		
POWERTOWER	10		
SATCOM ANTENNA MOUNT	13		
SATCOM POWERTOWER	14		
PASSIVE HINGE KIT	14		
NEW TAPERED RADAR MAST	15		
DUAL POWERTOWER	17		
SAILBOAT PRODUCTS	18		
SELF-LEVELLING RADAR MOUNT MKII	20		
SELF-LEVELLING: BACKSTAY	22		
SELF-LEVELLING: POLE	23		
SELF-LEVELLING: MAST	24		
MAST MOUNT	25		
SC100 POLE MOUNT	26		
SC2 POLE MOUNT	28		
NEW T-POLE / T-BAR	29		



Scanpod

NEW DESIGN FOR 2011



NEW DESIGN SCANPOD

Helm Pod	Page 04
Flex Mount System	Page 05
Deck Pod	Page 06
Mast Pod	Page 07
Carbon Mast Pod	Page 07



WHY CHOOSE A SCANPOD?

1. FITS ANYWHERE ONBOARD

Will they fit my boat?

Definitely. Our new range is short on part numbers for simplicity but long on mounting options to fit any boat. Helm, Deck and Mast ranges fit standard instruments, 20/20's, 8", 12" and 15" screens.

2. EASY TO INSTALL

Will I find them easy to install?

Yes! A complete fixing kit ensures you have everything you need to easily install the pod.

The "no drill" clamp fixing kit means no more tricky drilling of stainless tubes. Fitting the front to the back is even easier too.

3. OCEAN READY

Have we chosen the best materials?

Absolutely. Our pod enclosures are made from UV stable, acrylic capped ABS plastic. Our "no drill" clamp kit is made from marine grade 316 stainless steel. Our Deck Pod base is made from anodised machined solid aluminium. No compromise.

4. PROTECTION

Will my instruments be protected in a Scanpod?

Completely. The multiple watertight seals provide a barrier to water ingress, even in the worst of weather. We even provide a neat UV cover for your pod and instruments when not in use.

5. CHOICE OF COLOUR

Why do you offer two colours?

We wanted to offer you the choice to make your pod suit your boat. So, each Scanpod is available in traditional gloss white or new silver.

6. SIMPLIFIED STOCKING

Is the range easy to stock as a distributor or dealer?

Yes. We have deliberately kept the range compact in order to make stocking easy. You will always have the right part in stock when needed.

Intuitive part numbers help too:

E.g. SPH-8D-W = Scanpod Helm Pod for 8" Display in White.

7. G-SHOCK AND HEAT TESTED

Have you tested Scanpod?

Extensively. Prior to production, our pods must pass some brutal G-shock and heat testing. So, because we know that your instruments will keep working in a Scanpod in heat up to 55°C and G-shocks of over 6g, we're happy to let you use them!

8. SUPPLIED UN CUT

Why are they supplied uncut?

This is for ease of stocking. With fewer models to choose from, you're more likely to find the model you need at your favourite stockist.

A factory cutting service is available.

How do you cut a pod front?

This is a simple operation. Please visit our website or see our YouTube channel for tips and advice on fitting and cutting pods.

SCANPOD - HELM POD

For displays & instruments

WITH GREAT NEW DESIGN FEATURES, THE SCANSTRUT HELM POD IS A PERFECT CHOICE FOR ALL COCKPIT CONFIGURATIONS.

WITH OPTIONS TO FIT RADAR DISPLAYS AND STANDARD NAVIGATION INSTRUMENTS, THE HELM POD PROVIDES A COMPACT AND WATERPROOF INSTALLATION FOR YOUR MARINE ELECTRONICS AT THE YACHT'S HELM.

Fits ANY rail width from 7" (178mm)



Range of models to fit 8" - 15" displays and standard nav instruments

Install multiple instruments in one pod

Scanpod features

Page 03

NEW 'NO-DRILL' CLAMP FIXING KIT

Unique clamping system provides universal fit to all pedestal rails from Ø25mm up to Ø33.7mm (0.98" up to 1.33").

- No need to drill stainless rail in order to mount pod
- Mounting saddle ensures a secure and rigid fit to pedestal



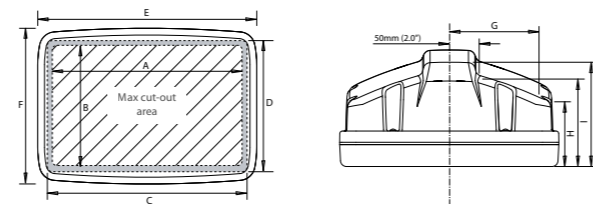
SCANPOD COVER AVAILABLE



Find Your Part Number

Page 40

KEY TECHNICAL INFO



	A	B	C	D	E	F	G	H	I
	mm / inches	mm / inches	mm / inches	mm / inches	mm / inches	mm / inches	mm / inches	mm / inches	mm / inches
SPH-8	312/12.3	200/7.9	334/13.1	223/8.8	371/14.6	264/10.4	150/5.9	111/4.4	150/5.9
SPH-12	365/14.4	241/9.5	384/15.1	263/10.4	424/16.7	304/12.0	169/6.5	140/5.5	160/6.3
SPH-15	423/16.7	333/13.1	424/16.7	349/13.7	482/19.0	396/15.6	199/7.8	104/4.1	146/5.7
SPH-SYSTEM	541/21.3	274/10.8	545/21.5	289/11.4	600/23.6	336/13.2	252/9.9	143/5.6	163/6.4
SPH-2i	X	X	295/11.6	121/4.8	350/13.8	185/7.3	X	72/2.8	X
SPH-4i	X	X	515/20.3	121/4.8	563/22.2	185/7.3	X	72/2.8	X

FLEX MOUNT SYSTEM

Helm Pod Accessory

Twin helm yacht? Mounting on a low rail?

VIEW YOUR INSTRUMENTS FROM THE PERFECT ANGLE BY USING THIS ACCESSORY IN COMBINATION WITH THE SCANSTRUT HELM POD.

SIMPLY CLAMP ONTO YOUR EXISTING RAIL OR STEERING BINNACLE AND INSTALL THE HELM POD AS NORMAL.

TILT OR ROTATE AS REQUIRED FOR THE PERFECT VIEW OF YOUR SCREEN.

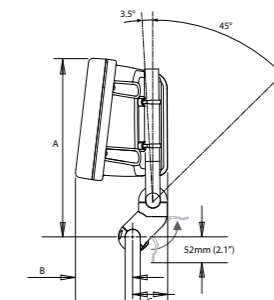
Easy to use quick release lever - simply unlock, adjust angle of screen, then lock into position

Fits 1" and 1 ¼" rail sizes and requires minimum of 60mm (2.4") of straight rail to mount

Cables exit back of Pod using watertight grommet



KEY TECHNICAL INFO



ORDERING INFO

FLEX MOUNT PART NO.	USE WITH HELM POD
SPFM-RM1-8	SPH-8D
SPFM-RM1-12	SPH-12D
SPFM-RM1-15	SPH-15D

	A	B	C	
	mm / inches	mm / inches	mm / inches	
SPFM-RM1-8	SPH-8D	365/14.4	116/4.5	84/3.3
SPFM-RM1-12	SPH-12D	404/16	158.5/6.25	72/2.8
SPFM-RM1-15	SPH-15	495/19.5	148.5/5.85	72/2.8

SCANPOD - DECK POD

For displays & instruments

SOLVE THE CHALLENGE OF FINDING A LEVEL MOUNTING SURFACE TO INSTALL YOUR DISPLAYS ONTO YOUR POWERBOAT, RIB OR SAILBOAT WHEELHOUSE.

Range of models to fit 8" - 15" displays and standard nav instruments

One-handed quick release action. Simply release the lever, swivel and tilt to suit your requirements before locking back into position

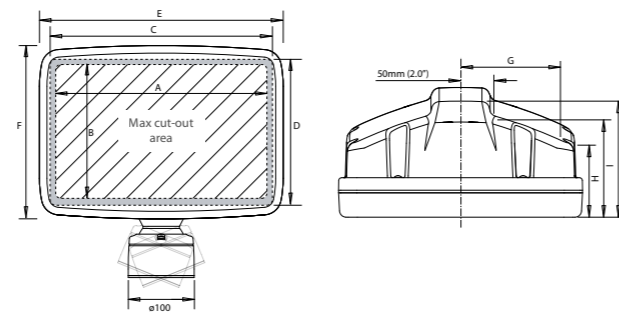
Adjustable ball joint allows a range of movement and multiple mounting angles

Rear view of Deck Pod



Deck Pod models can be overhead mounted. For compatibility refer to the Part Number Guide (Page 40).

KEY TECHNICAL INFO



	A	B	C	D	E	F	G	H	I
	mm / inches	mm / inches	mm / inches	mm / inches	mm / inches	mm / inches	mm / inches	mm / inches	mm / inches
SPD-8	312/12.3	200/7.9	334/13.1	223/8.8	371/14.6	264/10.4	150/5.9	111/4.4	150/5.9
SPD-12	365/14.4	241/9.5	384/15.1	263/10.4	424/16.7	304/12.0	169/6.5	140/5.5	160/6.3
SPD-15	423/16.7	333/13.1	424/16.7	349/13.7	482/19.0	396/15.6	199/7.8	104/4.1	146/5.7

Scanpod features

Page 03

TIP: Wheelhouse fishing boat? Simply rotate to view in wheelhouse or on deck.

SCANPOD COVER AVAILABLE



Find Your Part Number

Page 40

SCANPOD - MAST POD

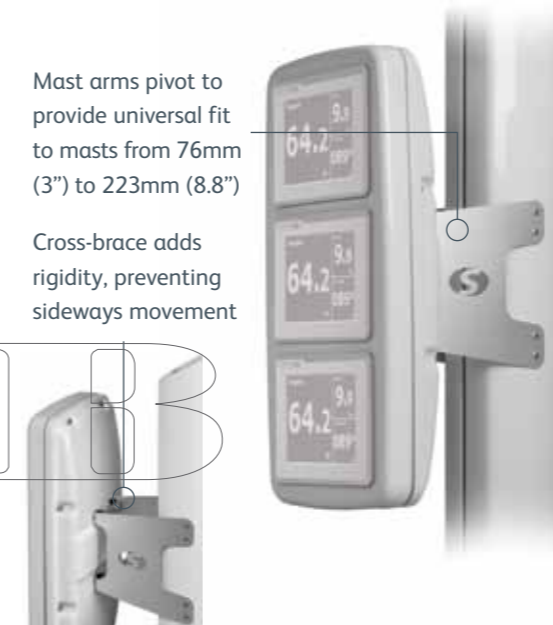
For standard & maxi instruments

WHETHER RACING OR CRUISING, OUR MAST PODS GIVE YOU THE BEST VIEW OF YOUR INSTRUMENTS.

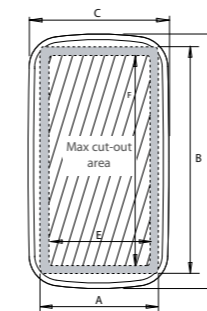
OPTIONS AVAILABLE TO INSTALL 2, 3 OR 4 INSTRUMENTS AT THE MAST.

Mast arms pivot to provide universal fit to masts from 76mm (3") to 223mm (8.8")

Cross-brace adds rigidity, preventing sideways movement



KEY TECHNICAL INFO



	A	B	C	D	E	F
	mm / inches	mm / inches	mm / inches	mm / inches	mm / inches	mm / inches
SPM-2i	121/4.8	295/11.6	182/7.2	350/13.8	X	X
SPM-4i		515/20.3	185/7.3	563/22.2		
SPM-Maxi	201/7.9	500/19.7	248/9.75	545/21.5	194.5/7.65	487/19

Find Your Part Number

Page 40

CARBON MAST POD

For maxi instruments

SUPER TOUGH AND LIGHTWEIGHT OFF-THE-SHELF CARBON POD FOR INSTALLING 3 OR 4 20/20 MAXI INSTRUMENTS ON RACE BOATS.

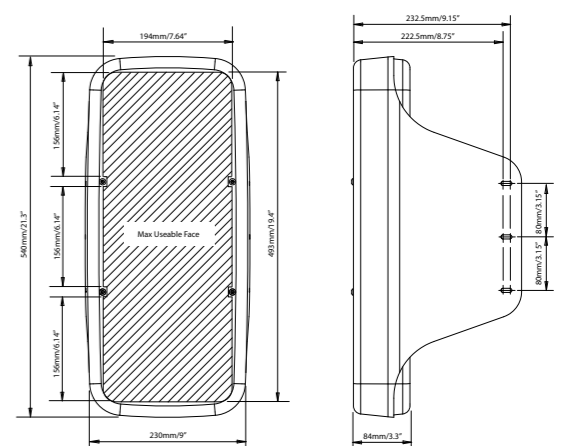
Full height splash guard on back of pod - fully protects instruments

Tamperproof screws - can only be removed using special tool provided with fixing kit

Flexible mounting arms fit on wide range of masts used on yachts from 8m (30') upwards



KEY TECHNICAL INFO



Scanpod features

Page 03

Powerboat Products

INSTALLATION SOLUTIONS FOR POWERBOATS

POWERTOWER

Available in Composite, Stainless steel or Aluminium materials. Forward or aft leaning profile and choice of antenna heights.

SATCOM ANTENNA MOUNT

Low level mounting which reduces mounting area by 60% for greater choice of antenna position.

SATCOM POWERTOWER

Elevated antenna mounting with small footprint. Available in stainless steel or aluminium.

PASSIVE HINGE KIT

Safely pivot your satcom installation through 180°, significantly lowering the height of the installation.

NEW TAPERED RADAR MAST

Combination mast for radar, lights, cameras and GPS / VHF antenna.

DUAL POWERTOWER

Two antennas, one mount. Space saving installation for both radar and satcom antenna.

RADAR ARCH, FLYBRIDGE OR CABIN ROOF MOUNTED PRODUCTS

PowerTower	Page 10
Satcom Antenna Mount	Page 13
Satcom PowerTower	Page 14
Passive Hinge Kit	Page 14
Tapered Radar Mast	Page 15
Dual PowerTower	Page 17



POWERTOWER

For radomes, open array and small satcom/tv antenna

INSTALL YOUR ANTENNA ON THE CABIN ROOF, FLYBRIDGE OR RADAR ARCH OF YOUR POWERBOAT.

A CHOICE OF HEIGHTS AND MATERIALS TO SUIT ANY BOAT.

“Radar requires a clear view of the horizon to function correctly”

Antenna fastens to PowerTower using own mounting bolts

Pre-drilled mounting holes for ease of installation

Hollow stem for internal cable management

IP65 gland supplied to seal cable into stem

Watertight base seal included - no need for messy sealant



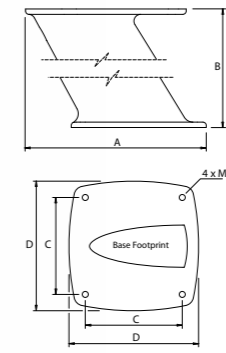
WHICH POWERTOWER DO I NEED?

	COMPOSITE POWERTOWER	ALUMINIUM POWERTOWER	STAINLESS POWERTOWER
Mounts	Radomes, Satcom/tv	Radomes, Open Array, Satcom/tv	Radomes, Open Array, Satcom/tv
Finish	Gloss white	White powder coated	Highly polished mirror finish
Weight	1.3 - 2.2 kgs (3.0 - 5.0 lbs)	1.5 - 2.6 kgs (3.4 - 5.8 lbs)	2.4 - 4.3 kgs (5.4 - 9.6 lbs)
Height	150mm or 350mm (6" - 14")	130mm or 250mm (5" - 10")	150mm (6")
Profile	30° aft leaning	25° forward leaning*	30° aft leaning
Footprint	200mm (8") square	180mm (7") square	150mm (6") square

* 30° forward leaning for open array

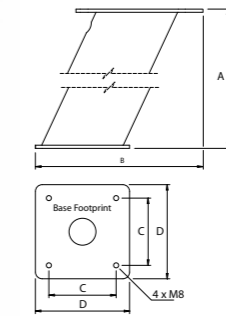


COMPOSITE



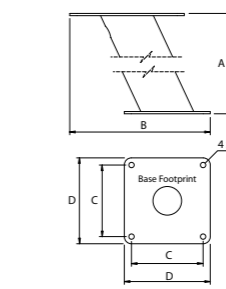
	A mm / inches	B mm / inches	C mm / inches	D mm / inches
PT2001	370/14.6	350/13.8	150/5.9	200/7.9
PT2002	370/14.6	350/13.8	150/5.9	200/7.9
PT2003	152/6	358/14.1	150/5.9	200/7.9
PT2004	268/10.5	158/6.2	150/5.9	200/7.9
PT2005	278/11	158/6.2	150/5.9	200/7.9
PT2006	288/11.3	158/6.2	150/5.9	200/7.9

ALUMINIUM



	A mm / inches	B mm / inches	C mm / inches	D mm / inches
APT19000	127/5	295/11.6	127/5	177/7
APT19001	254/10	355/14	127/5	177/7
APT5U	127/5	245/9.6	127/5	177/7
APT10U	254/10	303/12	127/5	177/7
APT6001	127/5	278/11	150/5.9	200/7.9
APT6002	127/5	290/11.4	150/5.9	200/7.9

STAINLESS



	A mm / inches	B mm / inches	C mm / inches	D mm / inches
SPT1001	152/6	238/9.3	127/5	152/6
SPT1002	152/6	245/9.6	127/5	152/6
SPT1004	152/6	270/10.6	152/6	203/8
SPT1005	152/6	270/10.6	152/6	203/8

Find Your Part Number

Page 38

Range of accessories available Page 32

“OUR CUSTOMERS LOVE SCANSTRUT PRODUCTS! THEY ARE WELL DESIGNED, LOOK GREAT ON ANY BOAT AND MAKE INSTALLATION OF THE ANTENNA QUICK AND EASY”



SATCOM ANTENNA MOUNT

For satcom/tv antenna

REDUCE THE FOOTPRINT OF YOUR SATCOM ANTENNA BY UP TO 60% TO GIVE YOU GREATER CHOICE WHEN CHOOSING WHERE TO INSTALL YOUR SATCOM ANTENNA.

Single piece composite GRP moulding for high strength and corrosion resistance

Watertight seal fits between mount and antenna

Antenna fixings external to aid install and maintenance



SC80: FOR KVH M9 SATCOM

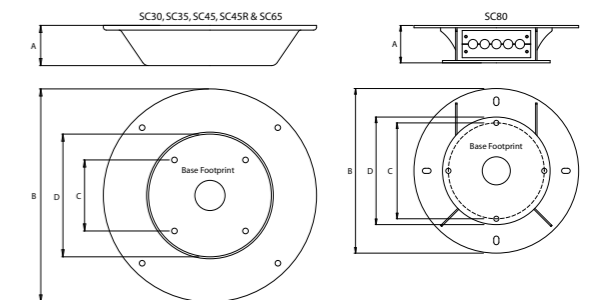
- Unique gland system (IP68 rated) for up to 5 cables
- Minimises footprint by 50%
- Marine grade 316 stainless steel



MOUNTING ON A CURVED ARCH?

Use our Adjustable Base Wedge accessory to level your installation. See page 35.

KEY TECHNICAL INFO



	A mm / inches	B mm / inches	C mm / inches	D mm / inches
SC30	59/2.3	255/10.0	66/2.6	110/4.3
SC35	56/2.2	307/12.1	120/4.7	200/7.9
SC45/45R	68/2.7	360/14.2	120/4.7	200/7.9
SC65	60/2.4	465/18.3	120/4.7	200/7.9
SC80	80/3.1	352/13.9	205/8.1	230/9.1

Find Your Part Number

Page 39

SATCOM POWERTOWER

For satcom/tv antenna

ELEVATE YOUR SATCOM ANTENNA AND MINIMISE THE FOOTPRINT, ALLOWING YOU GREATER CHOICE OF ANTENNA POSITION.



PASSIVE HINGE KIT

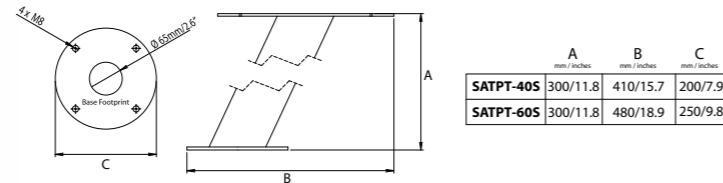
Safely pivot your satcom installation through 180° to reduce height.

Designed to fit 30cm satcom antenna and selected radomes.

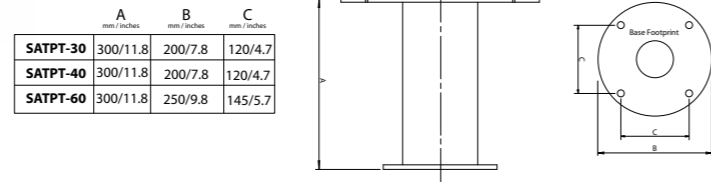
[Find Your Part Number Page 39](#)

KEY TECHNICAL INFO

Satcom PowerTower® - Stainless



Satcom PowerTower® - Aluminium



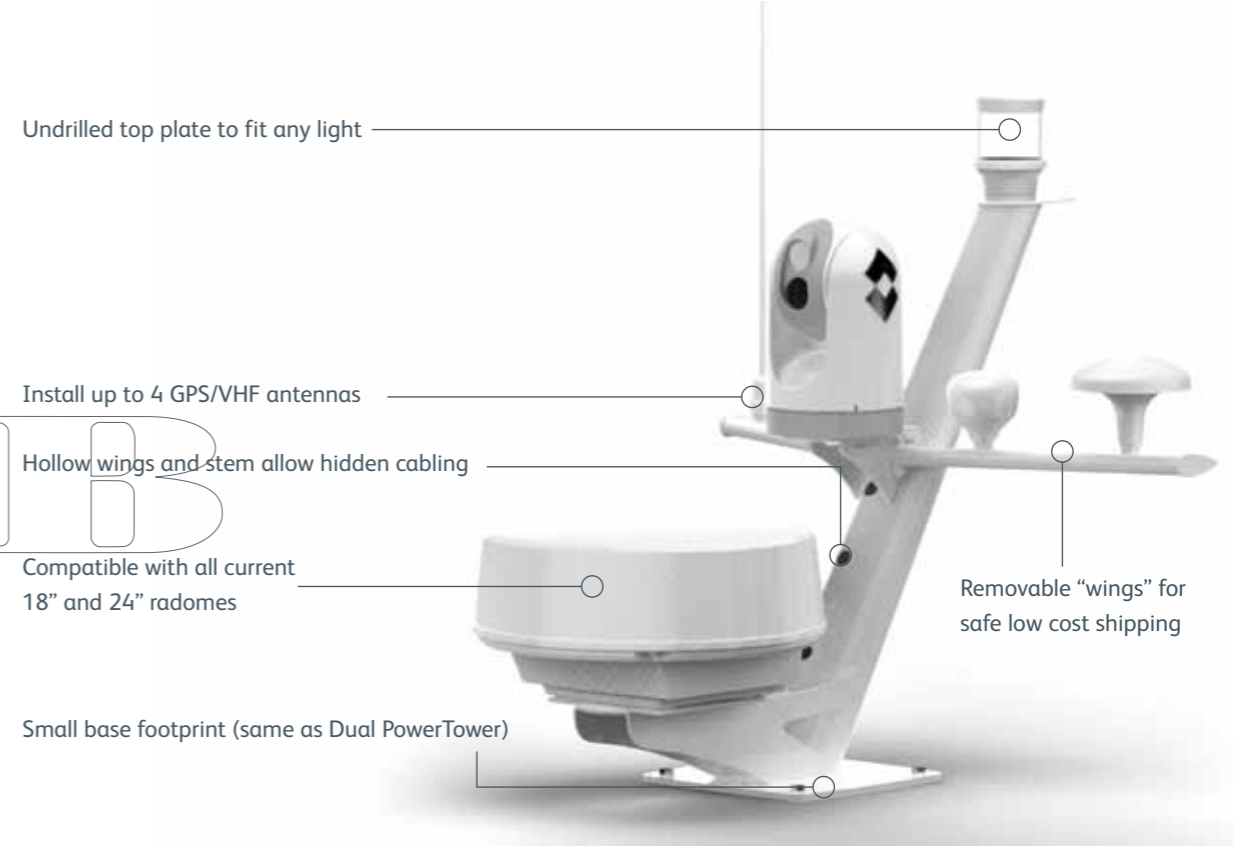
[Range of accessories available Page 32](#)

[Find Your Part Number Page 39](#)

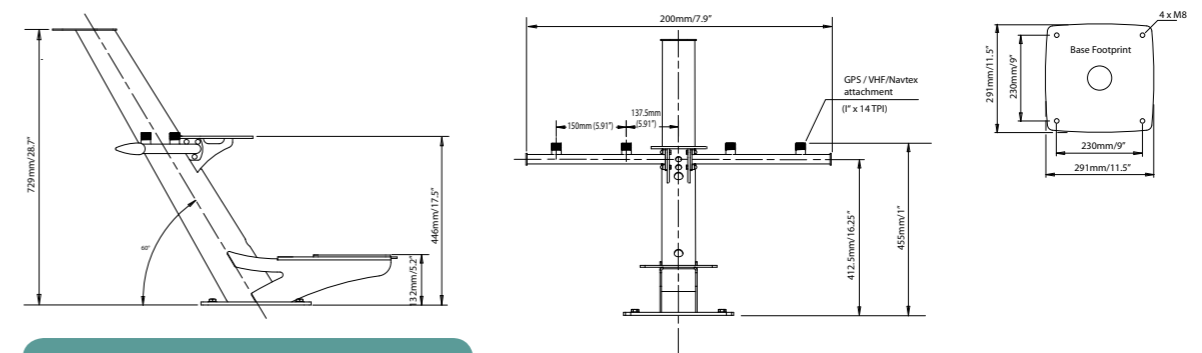
NEW TAPERED RADAR MAST

For Radomes, Lights, Camera, GPS/VHF antenna

SINGLE COMBINATION MOUNT FOR RADAR, LIGHTS, GPS/VHF ANTENNAS, CAMERAS AND SEARCH LIGHTS, WITH EACH ITEM PERFECTLY POSITIONED FOR MAXIMUM PERFORMANCE.



KEY TECHNICAL INFO



[Find Your Part Number Page 39](#)



“COMPLIMENTS ON THIS BIT OF KIT - A GREAT PIECE OF ENGINEERING. ALL ASSEMBLED BY TWO AMATEURS IN AN AFTERNOON, AND RADAR AND SATCOM WORKING BEAUTIFULLY, EVEN IN SEVERE CONDITIONS IN THE NORTH CHANNEL RECENTLY”

DUAL POWERTOWER

For radomes or open array & satcom/tv antenna

INSTALL BOTH RADAR AND SATCOM ANTENNA ON ONE SPACE SAVING MOUNT.

ELEVATING THE SATCOM ANTENNA ABOVE THE RADAR ELIMINATES ANTENNA INTERFERENCE AND ENSURES MAXIMUM PERFORMANCE FROM BOTH APPLICATIONS.

Pre-drilled mounting holes for ease of installation

Antenna fastens to PowerTower using own mounting bolts

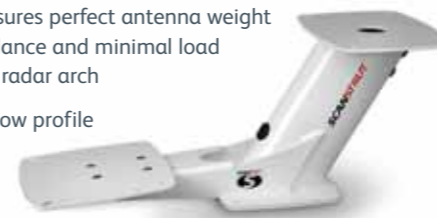
Hollow stem for internal cable management

Watertight base seal included - no need for messy sealant



COMPACT DUAL POWERTOWER FOR SMALLER SATCOM/TV ANTENNA

- Small footprint fits very narrow radar arches
- Adjustable radar mounting plate ensures perfect antenna weight balance and minimal load on radar arch
- Low profile

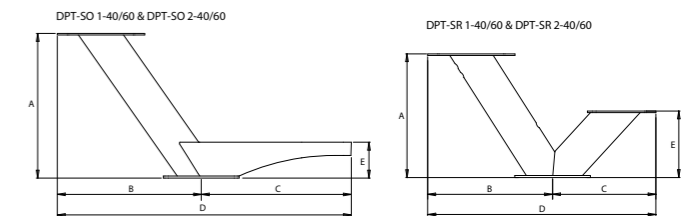


Footprint = 200mm (8") Height = 225mm (10.04")

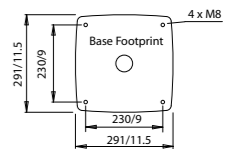
Range of accessories available Page 32

Find Your Part Number Page 38

KEY TECHNICAL INFO



	A mm/Inches	B mm/Inches	C mm/Inches	D mm/Inches	E mm/Inches
DPT-SR 1-40	476/18.7	480/18.9	576/22.7	878/34.6	256/10
DPT-SR 2-40	476/18.7	480/18.9	342/13.5	823/32.4	256/10
DPT-SO 1-40	556/21.9	555/21.9	582/22.9	1137/44.8	138/5.4
DPT-SO 2-40	556/21.9	557/22	697/27.4	1254/49.4	138/5.4
DPT-SR 1-60	518/20.4	560/22.1	397/15.6	957/37.7	256/10
DPT-SR 2-60	518/20.4	560/22.1	343/13.5	903/35.6	256/10
DPT-SO 1-60	608/24	640/25.2	582/22.9	1222/48.1	138/5.4
DPT-SO 2-60	608/24	640/25.2	697/27.4	1336/52.6	138/5.4



Sailboats Products

INSTALLATION SOLUTIONS FOR SAILBOATS

SELF-LEVELLING RADAR MOUNT MKII

Available in mast, backstay or pole mounted versions. Keeps radar level with horizon for best antenna performance.

MAST MOUNT

Universal fit to any mast. Cost effective solution for the latest radomes.

SC100 POLE MOUNT

Versatile pole mount for deck or transom mounting. Internal cable management and support struts make for a strong yet aesthetic install.

SC2 POLE MOUNT

Total stability for larger antennas on large yachts. Through deck and deck mounted pole options.

DUAL SELF-LEVELLING POLE MOUNT

Space saving option. Self-levelling radar, satcom and GPS in a single mounting solution.

NEW T-BAR / T-POLE

Multiple aerial and antenna mounting bracket for pushpit rails and decks.

MAST MOUNTED PRODUCTS

Self-Levelling Radar Mount - Mast Page 24

Mast Mount Page 25

BACKSTAY MOUNTED PRODUCTS

Self-Levelling Radar Mount - Backstay Page 22

STERN MOUNTED PRODUCTS

SC100 Pole Mount Page 26

SC2 Pole Mount Page 28

Self-Levelling Radar Mount - Pole Page 23

Dual Self-Levelling Pole Mount Page 23

T Bar / T Pole Page 29



SELF-LEVELLING RADAR MOUNT MKII

BEAUTIFULLY STYLED AND EXPERTLY ENGINEERED TO ENSURE YOUR RADAR STAYS LEVEL WITH THE HORIZON AT ALL TIMES FOR OPTIMUM ANTENNA PERFORMANCE.

AS THE BOAT HEELS OR ROLLS, THE RADAR IS KEPT HORIZONTAL PREVENTING TARGET LOSS AND GIVING THE BEST POSSIBLE RADAR PICTURE.

Install GPS antenna with additional accessory mount

Thumb screw for fine tune adjustment of mounting angle

Radar plate enables compact mounting depending on dome size

New damping chamber design for even better damping performance - maintenance free and no power required



PICTURE PERFECT RADAR PERFORMANCE

On most scanners, vertical beam width is 25°, so if heeled more than 12.5°, echo strength will deteriorate and could be lost completely.

We supplied our Self-Levelling Radar Mount to Graham Snook from leading UK Marine title **Yachting Monthly** to test this theory. Read on to see the results:

THE TEST:

An inclinometer was fitted to the scanner and tied a line to it to induce 5°, 10°, 15°, 20°, 25° and 30° angle of heel. At each angle, the effects on the radar screen were noted.

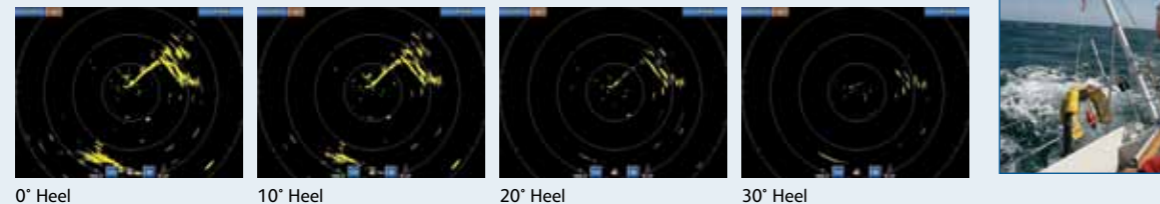
TESTED BY **YACHTING MONTHLY**

THE RESULTS:

“It’s in no way unusual to generate 20° of heel when sailing upwind, even more on older boats with less form stability. Our test shows clearly that, as expected, heeling does significantly affect the strength of a target’s echo, but what we might not have anticipated is just how much weaker the echoes are.

This makes a strong case for a self-levelling radar mount on board any yacht that does a fair amount of upwind sailing in areas with heavy traffic, such as the English Channel and North Sea”

Chris Beeson, *Yachting Monthly* (March 2010)



“WHEN RACING CLASS 40 SAILBOATS, YOU ARE UP AGAINST SOME OF THE BEST SAILORS IN THE WORLD, IN SOME OF THE MOST PUNISHING CONDITIONS. THE SCANSTRUT SELF-LEVELLING RADAR MOUNT OFFERS ALL OF THE FUNCTIONALITY I WAS LOOKING FOR, IN A ROBUST YET LIGHTWEIGHT FORM”

SELF-LEVELLING RADAR MOUNT - BACKSTAY

For radomes

POSITION YOUR RADAR CLEAR OF THE DECK AND FREE FROM OBSTRUCTION.

Can be installed on both adjustable and split backstays.

Options to mount radome fore or aft of backstay

2.6m (8'6") aluminium mounting pole - supplied in 2 lengths with hidden joiner piece



Cable channel hides cables for a neat install



High strength base eliminates loading on backstay. Can be deck, transom or chainplate mounted.



Mount your radome higher - additional 0.6m (2') and 1.3m (4.3') pole lengths available.



Range of nylon bushes supplied - 7mm (0.2") to 14mm (0.6"). Clamps around backstay so cable tension can be adjusted.



Install GPS antenna with additional accessory mount.

SELF-LEVELLING RADAR MOUNT - POLE

For radomes

VERSATILE DECK OR TRANSOM POLE MOUNT SUPPLIED AS A COMPLETE KIT WITH EVERYTHING YOU NEED FOR A STABLE AND RELIABLE INSTALLATION.

Adapter unit attaches levelling mechanism onto top of pole

Based on 2.5m (8.3') SC100 Pole Mount (Page 26).

- Two support modules provide maximum fore / aft and sideways support
- Adjustable pole base fits any surface from sloping transoms to level decks
- Small base footprint - Ø 80mm (3.1")



Upgrade your SC100 Pole Mount to self-levelling with our upgrade kit. See scanstrut.com for further info.

Installing both Radar and Satcom?

DUAL SELF-LEVELLING POLE MOUNT

Our SC100 Pole Mount combines with our Self-levelling Mast Mount for a dual mounting solution.

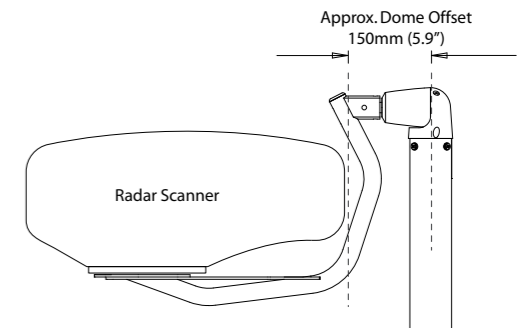
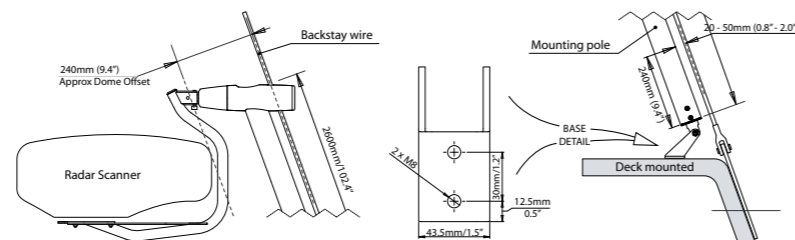
- 2.5m (8.3') aluminium pole*
- Mast mount fits to pole below top plate
- Top platform supports the satcom dome
- Two deck struts supplied to support additional loading

*Also available in stainless steel



KEY TECHNICAL INFO

KEY TECHNICAL INFO



TIP: When mounting radome forward of backstay, check clearance between radome and mainsail.

Range of accessories available Page 32

Find Your Part Number Page 38

Range of accessories available Page 32

Find Your Part Number Page 38

SELF-LEVELLING RADAR MOUNT - MAST

For radomes

SELF-LEVELLING PERFORMANCE, MAST MOUNTED FOR MAXIMUM HORIZON.



“The Scanstrut Self-Levelling Radar Mount is a great product! It is easy to install for anyone who knows how to use a toolbox. The radar picture shows a remarkable improvement and the mount fits perfectly with the design of any yacht”

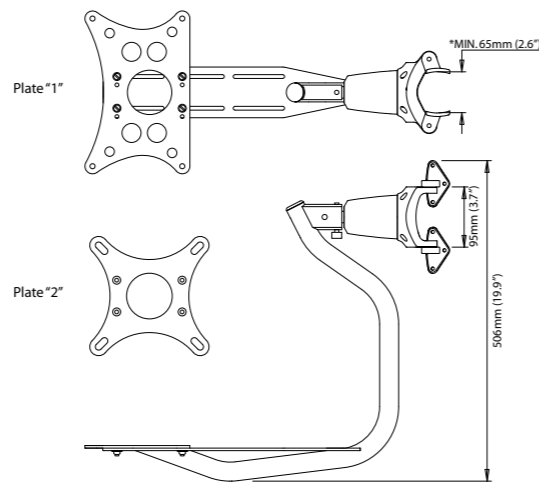
Olaf Schmidt
 Technical Editor of Germany's
 No. 1 Sailboat Magazine 'Yacht'

SEE MAST MOUNT FOR ADDITIONAL
 FEATURES ON PAGE 25

Range of accessories available Page 32

Find Your Part Number Page 38

KEY TECHNICAL INFO



* indicates minimum mast width, no maximum mast width exists.
 ** 50100 Adapter kit will be required for Z-Spars, Eurospars and Isomat masts

MAST MOUNT

For radomes and small satcom/tv antenna

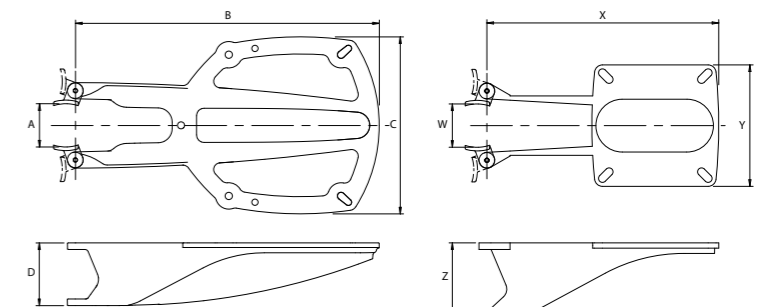
STILL THE FIRST CHOICE FOR BOAT OWNERS THE WORLD OVER, SCANSTRUT MAST MOUNTS ARE A POPULAR CHOICE FOR MOUNTING RADAR OR SMALL SATCOM/TV ANTENNA ONTO YOUR YACHT'S MAST.



Range of accessories available Page 32

Find Your Part Number Page 38

KEY TECHNICAL INFO



	A*	B	C	D
	mm / inches	mm / inches	mm / inches	mm / inches
SC16	65/2.6	400/15.8	198/7.9	95/3.7
SC20	65/2.6	460/18.1	268/10.6	95/3.7
SC21	65/2.6	520/20.5	278/10.9	125/4.9
M92722	65/2.6	467/18.4	278/10.9	95/3.7
M92698	76/3	530/20.8	300/11.8	180.8/7.1

	W*	X	Y	Z
	mm / inches	mm / inches	mm / inches	mm / inches
SC12	77/3	351/13.8	185/7.5	110/4.3
SC18	72/2.8	311/12.2	85/7.3	92/3.6

* indicates minimum mast width, no maximum mast width exists.

SC100 POLE MOUNT

For radomes and satcom/tv antenna

A TOTALLY VERSATILE POLE MOUNT SYSTEM THAT FITS ONTO THE DECK OR TRANSOM OF ANY BOAT - NO CUSTOMISATION OR ADJUSTMENT REQUIRED, IT WORKS STRAIGHT FROM THE BOX.

CHOICE OF MATERIAL:

ALUMINIUM

Combining great value with outstanding performance on the water.

STAINLESS STEEL

Highly durable and offers a stylish look to match stanchions and deck fittings.

CARBON

Low weight, high strength carbon pole and antenna plate. Saves weight, looks fast!



CHOICE OF HEIGHT:

- 1.9m (6.4') for deck mounting
- 2.5m (8.3') for transom mounting



Rail stand-off



Deck strut



Adjustable base

INSHORE RACING / WINTER STORAGE?

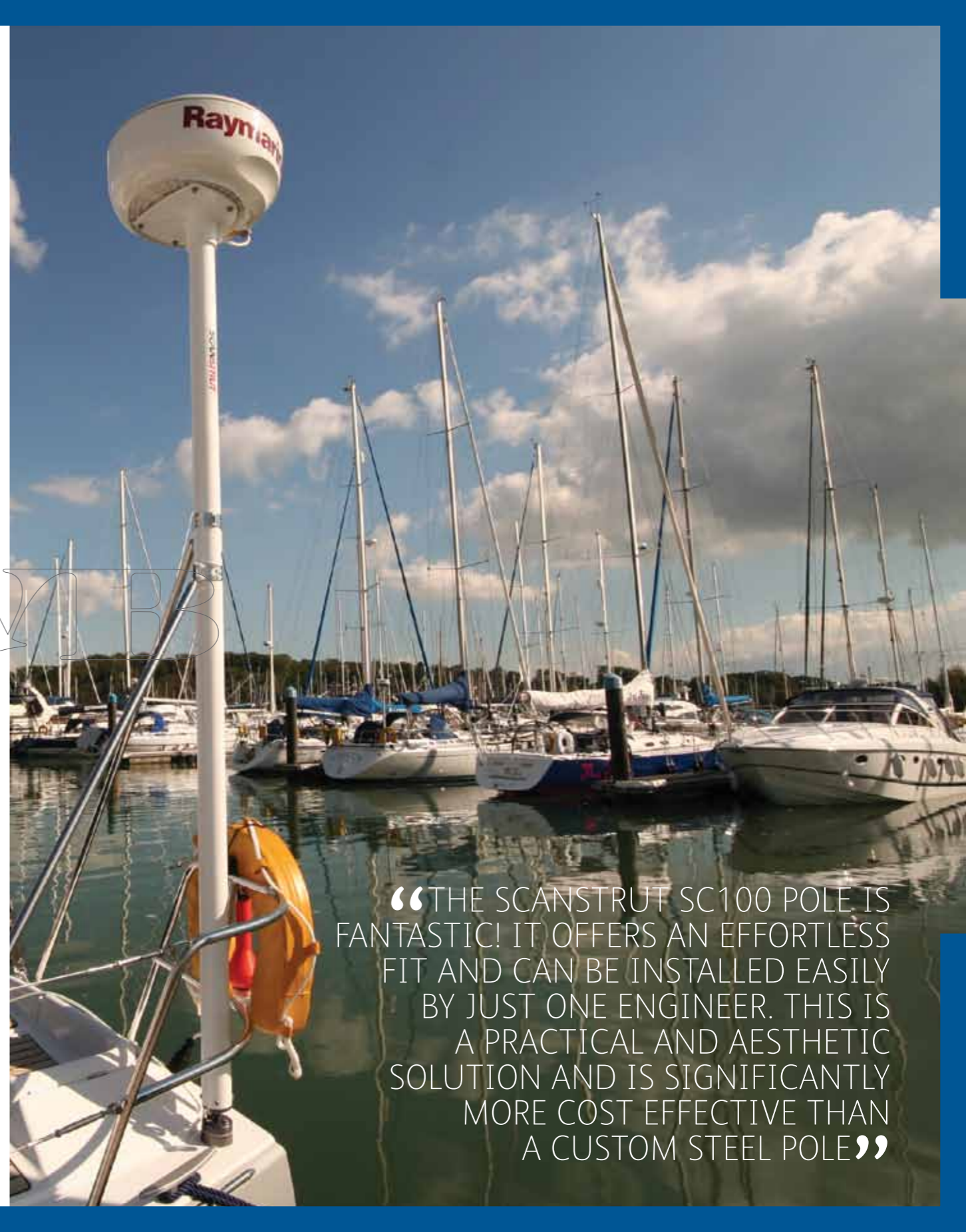
To remove, simply release the support modules leaving just low profile base on deck.

This is quick to do, switching you to race mode in only 30 minutes.

Range of accessories available Page 32

Find Your Part Number Page 38

- Two support modules provide maximum fore / aft and sideways support
- Adjustable pole base fits any surface from sloping transoms to level decks
- Small base footprint - Ø 80mm (3.1")



“THE SCANSTRUT SC100 POLE IS FANTASTIC! IT OFFERS AN EFFORTLESS FIT AND CAN BE INSTALLED EASILY BY JUST ONE ENGINEER. THIS IS A PRACTICAL AND AESTHETIC SOLUTION AND IS SIGNIFICANTLY MORE COST EFFECTIVE THAN A CUSTOM STEEL POLE”

SC2 POLE MOUNT

For radomes, open array and larger satcom/tv antenna

THE SC2 POLE OFFERS A 100% RELIABILITY TRACK RECORD THROUGH THE TOUGHEST SAILING CONDITIONS, MAKING IT THE CHOICE FOR OFFSHORE SAILORS THE WORLD OVER.

THROUGH DECK MOUNTED

Ideal for blue water yachting and designed for yachts from 12m (40') upwards, providing maximum stability for taller installations and heavier antennas.

- Recommended minimum of 0.6m (20") below deck
- 3m (10') or 4m (13') heights
- Unique collar system clamps pole at deck level and also at base inside boat
- GRP base supplied - can be laminated to inside of hull to provide level mount for collars



DECK MOUNTED

For installing onto deck, cabin roofs, low arches and areas where minimal elevation is required.

- 1m (3.3') height
- Base supplied for deck mounting



ORDERING INFO

Specify the following:

1. Required pole height e.g. 4.0m (13')
 2. Antenna make and model e.g. KVH M5
- = SC2-4 / KVH M5

Please note: Additional Satcom Antenna Mount (Page 13) will be required to install 40cm and 60cm satcom antenna to top of pole.

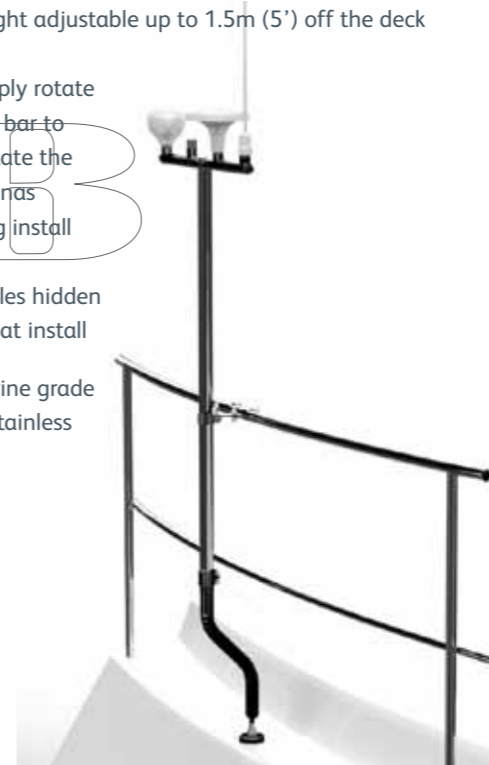
NEW T-BAR / T-POLE

For GPS/VHF antenna

COST EFFECTIVE MOUNTS FOR UP TO 4 GPS/VHF ANTENNAS. EASY TO INSTALL AND IDEAL FOR BOTH SAIL AND POWERBOATS.

T-POLE

- Fits up to 4 GPS/VHF antenna
- Fully adjustable deck base fits any surface, sloping or flat
- Height adjustable up to 1.5m (5') off the deck
- Simply rotate aerial bar to orientate the antennas during install
- Cables hidden for neat install
- Marine grade 316 stainless steel



TIP: Use a Scanstrut DS-MULTI deck seal for all cables. See page 31.

Part number: TP-01

T-BAR

- Fits up to 4 GPS/VHF antenna
- Fits 25mm (1") to 33.7mm (1 1/4") rails
- Mounts to upright stanchions, sloping transoms, cabin roofs
- Simply rotate aerial bar to orientate the antennas
- Cables hidden for neat install
- Marine grade 316 stainless steel



Part number: TB-01

GPS/VHF RAIL ACCESSORY

- Single rail mount for GPS/VHF antennas

Part number: RA-01

NEW OPTIONS FOR INSTALLING FLIR AND RAYMARINE THERMAL IMAGING CAMERAS ONTO YOUR POWER OR SAILBOAT.

FITS M-SERIES, T-SERIES AND NAVIGATOR CAMERAS.

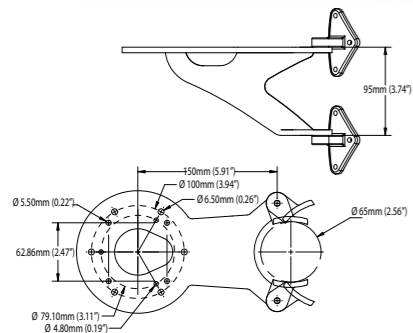
CAMERA MAST MOUNT

COMPACT MAST MOUNT FOR INSTALLATION ONTO YACHT MASTS.

- Attaches to mast with four swivel feet matching a variety of mast profiles
- Strong 12 point fixing using high quality monel rivets
- Safety wire kit independently attaches camera to mast in case accident damages install



KEY TECHNICAL INFO



Part number: CAM-MM-01

CAMERA MOUNTS

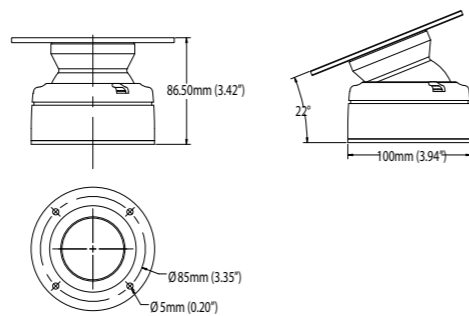
CAMERA POWER MOUNT

ADJUSTABLE MOUNT WHICH CAN BE INSTALLED ON BOTH LEVEL AND SLOPING CABIN ROOF, FLYBRIDGE OR RADAR ARCHES.

- Install on angled surfaces up to 22°
- Cables run internally through ball joint base for neat install



KEY TECHNICAL INFO



Part number: CAM-PM-01

DECK SEALS

Waterproof Cable Routing

SIMPLY THE BEST PROVEN WATERPROOF DECK SEAL FOR ANTENNA AND NAVLIGHT CABLES.

PASS CABLES INTO THE BOAT, ANYWHERE ON DECK. NO NEED TO REMOVE CABLE PLUG.

- Low profile shape for a stronger, impact resistant seal. No sharp edges to hit your foot on!
- Supplied with blank and pre-drilled inner seals
- Split seal eliminates need to remove cable connectors during install
- Captive nuts in base make easy assembly and allow reliable repeat installations



NEW MULTI DECK SEAL

Fits multiple cables up to 15mm (0.59") diameter, save space and installation time.

- Supplied with an undrilled seal to ensure a selection of cables can be fitted
- Marine grade aluminium with hard anodised finish



100% waterproof - IPX6 and IPX7 tested and approved.

Our testing = your piece of mind



CHOOSE:

PLASTIC
Impact resistant,
UV stable & great value

316 STAINLESS STEEL
Stunning mirror finish,
incredible durability

FIND YOUR DECK SEAL

CONNECTOR SIZE	CABLE SIZE MM(INCH)														
	2 (.08)	3 (.12)	4 (.16)	5 (.20)	6 (.24)	7 (.28)	8 (.31)	9 (.35)	10 (.39)	11 (.43)	12 (.47)	13 (.51)	14 (.55)	15 (.59)	
Up to 16mm (0.63")	•	•	•	•	•	•	•	•	•	•	•	•	•	•	•
Up to 21mm (0.83")			•	•	•	•	•	•	•	•	•	•	•	•	•
Up to 30mm (1.18")								•	•	•	•	•	•	•	•
Up to 40mm (1.57")													•	•	•

• DS16 • DS21A • DS21B • DS30 • DS40

Add -P for Plastic and -S for Stainless e.g. DS16-P

SCANSTRUT ACCESSORIES TABLE

● Lights ● GPS/VHF ● Accessory

ACCESSORIES	SCANPODS			POWERBOAT PRODUCTS							SAILBOAT PRODUCTS							CAMERA MOUNTS					
	Helm Pod	Deck Pod	Mast Pod	Comp Power-Tower	Alu Power-Tower	Stainless Power-Tower	Dual Power-Tower	Compact Dual Power-Tower	Satcom Power-Tower: Alu	Satcom Power-Tower: S/Steel	Satcom Antenna Mount	SC100 Pole Mount: Alu	SC100 Pole Mount: Carbon	SC100 Pole Mount: S/Steel	SC2 Pole Mount	Mast Mount	Self-Levelling Radar Mount - Backstay	Self-Levelling Radar Mount - Pole	Self-Levelling Radar Mount - Mast	Dual Self-Levelling Pole Mount	Camera Mast Mount	Camera Power Mount	
● Nav Light Mount				●	●	●		●					●		●								
● Deck Flood Light												●	●		●								
● Gantry Mount					●	●	●	●	●														
● GPS/VHF Antenna Mount				●	●	●		●															
● GPS/VHF Mount for Leveller																●	●	●	●				
● 4' Base Wedge				●	●	●																	
● Adjustable Base Wedge																							
● Mast Mount Adaptor Kit															●				●		●		
● Radar Guards															●								
● Cable Conduit															●				●		●		
● Lifting Crane												●		●		●							
● Flex Mount System (Page 5)	●																						

A RANGE OF ACCESSORIES IS AVAILABLE FOR YOUR SCANSTRUT INSTALLATION. FROM MOUNTING AN ADDITIONAL LIGHT OR GPS ANTENNA TO ACCESSORIES WHICH AID INSTALLATION AND PERFORMANCE.

Refer to table above. Select your product and accessory type to identify available options.

See page 34 for detailed product information.

“I WOULD LIKE TO SAY A VERY BIG THANK YOU - YOUR CUSTOMER SERVICE IS FAR BEYOND NORMAL EXPECTATIONS AND COMBINED WITH A VERY HIGH QUALITY PRODUCT I WOULD HAPPILY RECOMMEND YOU TO FELLOW SAILORS”



Nav Light and GPS / VHF Antenna Mount

Install Nav Light, GPS or VHF antennas above the radar for maximum visibility and performance.

Attach using radar mounting bolts, no extra fastenings required. (1" x 14 tpi thread)

ORDER INFO

SC110
For Nav Lights (Mount port side of radar)

SC111
For GPS / VHF Antenna (Mount starboard side of radar)

SC112
For GPS / VHF Antenna (Mount port side of radar)

SC113
Pre-fitted Hella Marine NaviLED 360° all round white light (Mount port side of radar)

Only compatible as part of a radome installation.



Deck Flood Light

High performance, 55W sealed beam halogen deck light.

ORDER INFO

SC117
For use with SC100 Pole Mount

SC117-4
For use with SC2 Pole Mount



GPS / VHF Antenna Mount for Self-Levelling Radar Mount

Single mount for installing an additional GPS / VHF antenna above the radar. (1" x 14 tpi thread)

ORDER INFO

LM-GPS
For all Leveller models



Lifting Crane

Ideal for lifting heavy outboards, luggage, supplies etc on board up to 30kg (66lbs) in weight.

Quick release pins allow easy removal for storage.

ORDER INFO

SC120
For use with SC100 Pole Mount

SC120-4
For use with SC2 Pole Mount



Gantry Mount for PowerTower®

Combined mounting solution for navigation and search lights, GPS and VHF antenna.

ORDER INFO

SC118
For Aluminium and Stainless PowerTower

Only compatible as part of a radome installation.



Gantry Mount for Dual PowerTower®

Combined mounting solution for all navigation and search lights.

Mounts anchor lights, all round white lights, steaming and aft lights.

ORDER INFO

SC114-40
For DPT-SR1-30/40; DPT-SR2-30/40; DPT-SO1-30/40; DPT-SO2-30/40

SC114-60
For DPT-SR1-60 / DPT-SR2-60 / DPT-SO1-60 / DPT-SO2-60



Mast Mount Adapter Kit

For masts with an integral track at the front which makes it difficult to fit a Scanstrut Mast Mount such as Z-Spars, Selden, Isomat and Eurospars Masts.

ORDER INFO

50100
Mast Mount Adapter Kit



Cable Conduit

A neat solution for securing antenna cables down the outside of the mast - simply rivet the back section to the mast, lay the cables in and snap the cover on.

ORDER INFO

SC33
Up to 14mm (0.55") cables

SC66
Up to 18mm (0.91") cables

Supplied in 1.5m (5') lengths



4° Base Wedge

Angles your radar down 4° below horizontal providing a level horizon for your radar when the boat is bow's up underway.

Fits under PowerTower with a base seal to ensure a watertight install.

ORDER INFO

PT3010
For Composite & Aluminium PowerTower

SPT2010
For Stainless PowerTower



Adjustable Base Wedge

Satcom antennas require a horizontal mounting surface to function correctly.

Satcom wedges eradicate this problem by providing a level mounting on slopes from 0° to 12°.

Simply counter rotate the angled discs until the top surface is horizontal.

ORDER INFO

SC50
Compatible with SC35, SC45, SC45R and SC65 Satcom Mounts only



Radar Guard

Polished stainless guards protect radome from damage and reduce wear on the sails.

Mounted using radome bolts, no extra fastenings required.

ORDER INFO

Mast Mount	Compatible Radar Guard
SC12	SC25*
SC18	SC24
SC20	SC27
SC21	SC26
M92722	SC27**
M92698	SC28

*Not compatible with Furuno 19" DRS2D

** Not compatible with Raymarine RD418D /418HD domes

SCANSTRUT DECK SEALS

Fully waterproof cable routing for electronics cables.

See page 31.



SCANSTRUT DESIGN CONSULTANCY

DESIGN AND PRODUCTION SERVICE FOR PRODUCT MANUFACTURERS,
SAIL AND POWER BOAT BUILDERS.

From a one-off mount to a custom product range for a new boat model,
our designers will provide the full service:

CONCEPT - CAD DESIGN - TOOLING - PRODUCTION

Recent Projects:

OEM: Custom nav light mast for production powerboat

OEM: Large radar mast for 95' production powerboat

OEM: Composite pedestal mount for production catamaran

OEM: Custom instrument console for production sailboat

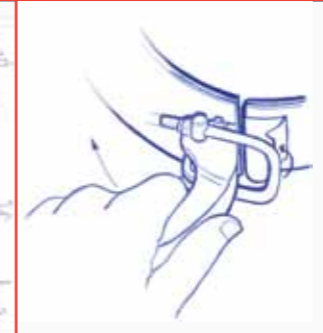
Product manufacturer: Fingerprint security entry system
for superyacht

Commercial OEM: Digital compass mount

British Navy: Portable radome mount

Fujifilm Class 40 race boat: Waterproof TV camera mounts

Please send any project enquiries to tom@scanstrut.com



SCANSTRUT

“MANY THANKS TO ALL AT SCANSTRUT. YOUR ENTHUSIASM FOR THIS PROJECT AND THE ATTENTION TO DETAIL DURING THE DESIGN AND DEVELOPMENT STAGES HAS ENSURED A PRODUCT THAT WAS FAULTLESS IN ASSEMBLY AND IS BOTH HIGHLY FUNCTIONAL AND ELEGANT”

Nicholas Russ | Russ RIBs



• PROVEN

Prototyped, tested and proven in real world conditions

• INNOVATIVE IDEAS

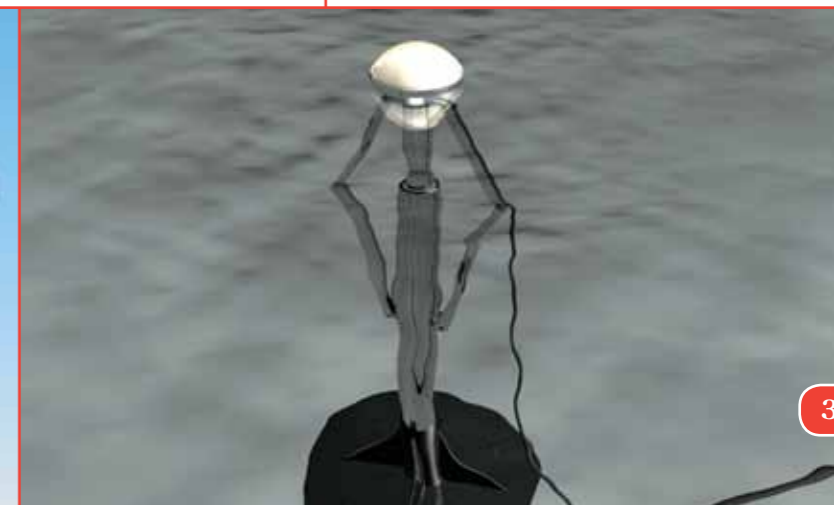
Original, creative thought

• BEAUTIFUL DESIGN

Great products should look great too

• USER FRIENDLY

Ease of use, simple products solving complex problems



PART NUMBER GUIDE - RADAR & SATCOM

BRAND	MODEL	SCANNER TYPE	POWERTOWER					S/STEEL	ALUMINIUM	SATCOM ANTENNA MOUNT	SATCOM POWERTOWER ALUMINIUM	SATCOM POWERTOWER STAINLESS	TAPERED RADAR MAST	DUAL POWERTOWER			SELF-LEVELLING RADAR MOUNT			MAST MOUNT	SC100 POLE MOUNT 1.9m (6.5') / 2.5 (8.4') Add -S (Stainless) & -C (Carbon)	SC2 POLE MOUNT
			COMPOSITE 150MM(6")	COMPOSITE 350MM(14")	150MM (6")	130MM(5")	250MM(10")							30CM SAT	40CM SAT	60CM SAT	BACKSTAY Fwd(F)/Aft(A)	POLE	DUAL POLE ? = satcom			
B&G	BR24	18" radome	PT2004	PT2001	SPT1001	APT19000	APT19001	X	X	X	PTM-R1-1	DPT-SR1-30	DPT-SR1-40	DPT-SR1-60	LMB-F1 / A1	LMP-1	DLMP-1-?	LMM-1	SC20	SC101 / SC102	SC2	
Furuno	1623	15" radome	PT2005	PT2002	SPT1002	APT5U	APT10U	X	X	X	PTM-R1-2	DPT-SR2-30	DPT-SR2-40	DPT-SR2-60	LMB-F2 / A2	LMP-2	DLMP-2-?	LMM-2	SC18	SC103 / SC104	SC2	
	1715 / 1824 / 1724 / DRS2D / NavNet	18" radome	PT2005	PT2002	SPT1002	APT5U	APT10U	X	X	X	PTM-R1-2	DPT-SR2-30	DPT-SR2-40	DPT-SR2-60	LMB-F2 / A2	LMP-2	DLMP-2-?	LMM-2	SC12	SC103 / SC104	SC2	
	1834 / DRS4D / NavNet	24" radome	PT2005	X	SPT1002	APT5U	APT10U	X	X	X	PTM-R1-2	DPT-SR2-30	DPT-SR2-40	DPT-SR2-60	LMB-F2 / A2	LMP-2	DLMP-2-?	LMM-2	SC21	SC103 / SC104	SC2	
	1934 / DRS4A	3.5' open-array	X	X	SPT1005	APT6002	X	X	X	X	X	DPT-SO2-30	DPT-SO2-40	DPT-SO2-60	X	X	X	X	X	X	X	SC2
	1942 / 1944 / DRS6A / DRS12A / 1954 / DRS12A / DRS25A	4' open-array Satellite Compass	X PT2005	X PT2002	SPT1005 SPT1002	APT6002 APT5U	X APT10U	X X	X X	X X	X X	DPT-SO2-30 X	DPT-SO2-40 X	DPT-SO2-60 X	X X	X X	X X	X X	X X	X X	X SC103 / SC104	X SC2
Garmin	GMR18 / GMR18HD	18" 4kW radome	PT2004	PT2001	SPT1001	APT19000	APT19001	X	X	X	PTM-R1-1	DPT-SR1-30	DPT-SR1-40	DPT-SR1-60	LMB-F1 / A1	LMP-1	DLMP-1-?	LMM-1	SC20*	SC101 / SC102	SC2	
	GMR24HD	24" 4kW radome	PT2004	PT2001	SPT1001	APT19000	APT19001	X	X	X	PTM-R1-1	DPT-SR1-30	DPT-SR1-40	DPT-SR1-60	LMB-F1 / A1	LMP-1	DLMP-1-?	LMM-1	SC21*	SC101 / SC102	SC2	
	GMR404	4' open array	X	X	SPT1005	APT6002	X	X	X	X	X	DPT-SO2-30	DPT-SO2-40	DPT-SO2-60	X	X	X	X	X	X	SC2	
Geonav	GRH 4D	18" radome	PT2005	PT2002	SPT1002	APT5U	APT10U	X	X	X	PTM-R1-2	DPT-SR2-30	DPT-SR2-40	DPT-SR2-60	LMB-F2 / A2	LMP-2	DLMP-2-?	LMM-2	SC12	SC103 / SC104	SC2	
	GRH 44	4' open array	X	X	X	APT6002	X	X	X	X	X	X	X	X	X	X	X	X	X	X	SC2	
Intellian	i1 / i2	Satcom	PT2005	PT2002	X	X	X	SC30	SATPT-40	SATPT-40S	X	YES (-30)	X	X	X	X	YES (-30)	X	SC12	SC105 / SC106	SC2	
	i3	Satcom	PT2004	PT2001	X	X	X	SC35	SATPT-40	SATPT-40S	X	YES (-30)	YES (-40)	X	X	X	YES (-30)	X	SC20	SC105-35/SC106-35	SC2	
	i4 / i4p / k4 / d4	Satcom	X	X	X	X	X	SC45R	SATPT-40	SATPT-40S	X	X	YES (-40)	X	X	X	YES (-45R)	X	X	SC105-45R/SC106-45R	SC2(+SC45R)	
	i6 / i6p / k6 / d6	Satcom	X	X	X	X	X	SC65	SATPT-60	ATPT-60S	X	X	X	YES (-60)	X	X	X	X	X	X	SC2(+SC65)	
	FB150	Satcom	PT2006	PT2003	X	X	X	X	SATPT-33	X	X	YES (-30)-	X	X	X	X	YES (-30)-	X	X	SC105 / SC106-	SC2-	
	FB250	Satcom	PT2006	PT2003	X	X	X	X	SATPT-33	X	X	X	X	X	X	X	YES (-30)	X	SC16	SC105 / SC106	SC2	
	FB500	Satcom	X	X	X	X	X	SC65	SATPT-60	SATPT 60S	X	X	X	YES (-60)	X	X	X	X	X	X	SC2(+SC65)	
Koden	2kW	12" radome	PT2005	PT2002	SPT1002	APT5U	APT10U	X	X	X	PTM-R1-2	DPT-SR2-30	DPT-SR2-40	DPT-SR2-60	LMB-F2 / A2	LMP-2	DLMP-2-?	LMM-2	SC18	SC103 / SC104	SC2	
	2kW [RB714A]	18" radome	PT2005	PT2002	SPT1002	APT5U	APT10U	X	X	X	PTM-R1-2	DPT-SR2-30	DPT-SR2-40	DPT-SR2-60	LMB-F2 / A2	LMP-2	DLMP-2-?	LMM-2	SC12	SC103 / SC104	SC2	
	4kW	20" radome	PT2005	PT2002	SPT1002	APT5U	APT10U	X	X	X	PTM-R1-2	DPT-SR2-30	DPT-SR2-40	DPT-SR2-60	LMB-F2 / A2	LMP-2	DLMP-2-?	LMM-2	SC21	SC103 / SC104	SC2	
	4kW [RB715A]	24" radome	X	X	SPT1001	APT525	APT1025	X	X	X	PTM-R1-2**	DPT-SR2-30	DPT-SR2-40	DPT-SR2-60	LMB-F2 / A2	LMP-2	DLMP-2-?	LMM-2	SC21	SC103 / SC104**	SC2	
	4kW [RB716A] / 6kW [RB716A]	3' / 4' open array	X	X	SPT1005	APT6002	X	X	X	X	X	DPT SO2 30	DPT SO2 40	DPT SO2 60	X	X	X	X	X	X	SC2	
KVH	Tracvision M1	Satcom	PT2005	PT2002	X	X	X	SC30	SATPT-40	SATPT-40S	X	YES (-30)	X	X	X	X	YES (-30)	X	SC12	SC105 / SC106	SC2	
	TracVision M2 / M3	Satcom	PT2004	PT2001	SPT1001	APT19000	APT19001	SC35	SATPT-40	SATPT-40S	X	YES (-30)	YES (-40)	X	X	X	YES (-30F)	X	SC20	SC105-35/SC106-35	SC2	
	Fleet Broadband 150/250 (compact)	Satcom	PT2006	PT2003	X	X	X	SC45	SATPT-33	X	X	X	X	X	X	X	YES (-30F)	X	SC16	SC105 / SC106	SC2	
	TracVision M5 / FB250	Satcom	X	X	X	X	X	SC45	SATPT-40	SATPT-40S	X	X	YES (-40)	X	X	X	YES (-45F)	X	X	SC105-45/SC106-45	SC2(+SC45)	
	TracVision M7 / FB500	Satcom	X	X	X	X	X	SC65	SATPT-60	SATPT-60S	X	X	X	YES (-60)	X	X	X	X	X	X	SC2(+SC65)	
	TracVision M9 / F77 / FB500 / V7	Satcom	X	X	X	X	X	SC80	X	X	X	X	X	X	X	X	X	X	X	X	X	
Lorenz / Seiwa / Techmarine	2kW / SWR-1 / T-72.01	12" radome	PT2005	PT2002	SPT1002	APT5U	APT10U	X	X	X	PTM-R1-2	DPT-SR2-30	DPT-SR2-40	DPT-SR2-60	LMB-F2 / A2	LMP-2	DLMP-2-?	LMM-2	SC18	SC103 / SC104	SC2	
	2kW / SWR-8	18" radome	PT2005	PT2002	SPT1002	APT5U	APT10U	X	X	X	PTM-R1-2	DPT-SR2-30	DPT-SR2-40	DPT-SR2-60	LMB-F2 / A2	LMP-2	DLMP-2-?	LMM-2	SC12	SC103 / SC104	SC2	
	4kW / SWR-9 / T-72.02 / T-72.04	20" radome	PT2005	PT2002	SPT1002	APT5U	APT10U	X	X	X	PTM-R1-2	DPT-SR2-30	DPT-SR2-40	DPT-SR2-60	LMB-F2 / A2	LMP-2	DLMP-2-?	LMM-2	SC21	SC103 / SC104	SC2	
	SWR-10 / T-74.06	3.5' / 4.5' open array	X	X	X	APT6002	X	X	X	X	X	X	X	X	X	X	X	X	X	X	SC2	
Lowrance	BR24	18" radome	PT2004	PT2001	SPT1001	APT19000	APT19001	X	X	X	PTM-R1-1	DPT-SR1-30	DPT-SR1-40	DPT-SR1-60	LMB-F1 / A1	LMP-1	DLMP-1-?	LMM-1	SC20	SC101 / SC102	SC2	
	LRA 4000	4' 4kW radome	X	X	X	APT6002	X	X	X	X	X	DPT-SO2-30	DPT-SO2-40	DPT-SO2-60	X	X	X	X	X	X	SC2	
Nobeltec	2kW	20" radome	PT2005	PT2002	SPT1002	APT5U	APT10U	X	X	X	PTM-R1-2	DPT-SR2-30	DPT-SR2-40	DPT-SR2-60	LMB-F2 / A2	LMP-2	DLMP-2-?	LMM-2	SC21	SC103 / SC104	SC2	
	4kW [IR2-4D 25" 4Kw]	25" radome	X	X	SPT1001	APT525	APT1025	X	X	X	PTM-R1-1	DPT-SR1-30	DPT-SR1-40	DPT-SR1-60	LMB-F1 / A1	LMP-1	DLMP-1-?	LMM-1	SC21	SC103 / SC104**	SC2	
	4kW / 6kW	3.5' / 4.5' open array	X	X	SPT1005	APT6002	X	X	X	X	X	DPT-SO2-30	DPT-SO2-40	DPT-SO2-60	X	X	X	X	X	X	SC2	
Raymarine	RD218	2kW 18" radome	PT2004	PT2001	SPT1001	APT19000	APT19001	X	X	X	PTM-R1-1	DPT-SR1-30	DPT-SR1-40	DPT-SR1-60	LMB-F1 / A1	LMP-1	DLMP-1-?	LMM-1	M92722	SC101 / SC102	SC2	
	RD424	4kW 24" radome	PT2004	PT2001	SPT1001	APT19000	APT19001	X	X	X	PTM-R1-1	DPT-SR1-30	DPT-SR1-40	DPT-SR1-60	LMB-F1 / A1	LMP-1	DLMP-1-?	LMM-1	M92698	SC101 / SC102	SC2	
	5S / 9S / RA1048HD / RA1048SHD	4' open array	X	X	SPT1004	APT6001	X	X	X	X	X	DPT-SO1-30	DPT-SO1-40	DPT-SO1-60	X	X	X	X	X	X	SC2	
	33STV	Satcom	PT2005	PT2002	X	X	X	SC30	SATPT-40	SATPT-40S	X	YES (-30)	X	X	X	X	YES (-30)	X	SC12	SC105 / SC106	SC2	
	37STV	Satcom	PT2004	PT2001	X	X	X	SC35	SATPT-40	SATPT-40S	X	YES (-30)	YES (-40)	X	X	X	YES (-30)	X	SC20	SC105-35/SC106-35	SC2	
	45STV	Satcom	X	X	X	X	X	SC45R	SATPT-40	SATPT-40S	X	X	YES (-40)	X	X	X	YES (-45R)	X	X	SC105-45R/SC106-45R	SC2(+SC45R)	
	60STV	Satcom	X	X	X	X	X	SC65	SATPT-60	SATPT-60S	X	X	X	YES (-60)	X	X	X	X	X	X	SC2(+SC65)	
	Sea - Tel	Coastal 14	Satcom	PT2004	PT2001	X	X	X	SC35	SATPT-40	SATPT-40S	X	YES (-30)	YES (-40)	X	X	X	YES (-30)	X	SC20	SC105-35/SC106-35	SC2
Coastal 18		Satcom	X	X	X	X	X	SC45	SATPT-40	SATPT-40S	X	X	YES (-40)	X	X	X	YES (-45)	X	X	X	SC2(+SC45)	
Coastal 24 / USAT 24 (06 VSAT Range)		Satcom	X	X	X	X	X	SC45	SATPT-60	SATPT-60S	X	X	X	YES (-60)	X	X	X	X	X	X	SC2(+SC45)	
Simrad	BR24	18" radome	PT2004	PT2001	SPT1001	APT19000	APT19001	X	X	X	PTM-R1-1	DPT-SR1-30	DPT-SR1-40	DPT-SR1-60	LMB-F1 / A1	LMP-1	DLMP-1-?	LMM-1	SC20	SC101 / SC102	SC2	
	DX42S	18" 2kW radome	PT2005	PT2002	SPT1002	APT5U	APT10U	X	X	X	PTM R1 2	DPT-SR2-30	DPT-SR2-40	DPT-SR2-60	LMB F2 / A2	LMP 2	DLMP 2 ?	LMM-2	SC12	SC103 / SC104	SC2	
	DX64S	24" 4kW radome	PT2005***	X	X	APT5U***	APT10U***	X	X	X	PTM R1 2***	DPT-SR2-30***	DPT-SR2-40***	DPT-SR2-60***	LMB-A3	LMP-3	DLMP-3-?	LMM-3	SC21***	SC103***/SC104***	SC2***	
	TX065	4' open array	X	X	X	APT6002	X	X	X	X	X	X	X	X	X	X	X	X	X	X	SC2	
	SAILOR	Capsat Fleet 33	Satcom	PT2006	PT2003	X	X	X	X	SATPT-33	X	X	YES (-30)	X	X	X	X	YES (-30)	X	X	SC105 / SC106	SC2
Capsat Fleet 55		Satcom	X	X	X	X	X	X	SATPT-33	X	X	YES (-30)-	X	X	X	X	X	X	X	SC103 / SC104	SC2	
Fleet Broadband 250 [T&T's own dome]		Satcom	PT2006	PT2003	X	X	X	X	SATPT-33	X	X	YES (-30)	X	X	X	X	YES (-30)	X	SC16	SC105 / SC106	SC2	
Fleet Broadband 500 [T&T's own dome]		Satcom	X	X	X	X	X	X	SATPT-60	SATPT-60S	X	X	X	YES (-60)	X	X	X	X	X	X	SC2	

If your dome is not listed, please contact Scanstrut or visit www.scanstrut.com

*Fit dome back to front

**Use with adaptor 19041

*** Use with adaptor 19042

- Due to fit early 2011

PART NUMBER GUIDE - DISPLAYS & INSTRUMENTS

BRAND	DISPLAY	HELM POD				DECK POD			MAST POD		CARBON MAST POD		
		8" POD	12" POD	15" POD	INSTRUMENT	INSTRUMENT	8" POD	12" POD	15" POD	INSTRUMENT	INSTRUMENT	3 / 4 MAXI	3 / 4 PLACE MAXI
B&G	Zeus Z8	SPH-8D	X	X	X	X	SPD-8D*	X	X	X	X	X	X
	Zeus Z12	X	X	X	X	X	SPD-12D*	X	X	X	X	X	X
	H3000 GDP / GFD	X	X	X	SPH-2i	SPH-4i	X	X	X	SPM-2i	SPM-4i	SPM-MAXI	SPM-MAXI-C
	H3000 Analogue	X	X	X	X	X	X	X	X	SPM-2i	SPM-4i	X	X
	10 / 10	X	X	X	SPH-2i	SPH-4i	X	X	X	SPM-2i	SPM-4i	X	X
	20 / 20	X	X	X	X	X	X	X	X	X	X	SPM-MAXI	SPM-MAXI-C
Furuno	GD-1720C / MFD-8	SPH-8D	X	X	X	X	SPD-8D*	X	X	X	X	X	X
	1824C/1920C/34C/44C	X	SPH-12D	X	X	X	SPD-12D	X	X	X	X	X	X
	MFD12 / DCU12	X	SPH-12D	X	X	X	SPD-12D*	X	X	X	X	X	X
	MU-120C	X	SPH-12D	X	X	X	SPD-12D	X	X	X	X	X	X
	MU-150HD	X	X	SPH-15D	X	X	X	SPD-15D	X	X	X	X	X
	FI-50 STD Instrument	X	X	X	SPH-2i	SPH-4i	X	X	X	SPM-2i	SPM-2i	X	X
FI-507 Multi XL	X	X	X	X	X	X	X	X	X	X	SPM-MAXI	SPM-MAXI-C	
Garmin	720(s), 740(s), 750(s)	SPH-8D	X	X	X	X	SPD-8D*	X	X	X	X	X	X
	3008/4008/5008/6008	SPH-8D	X	X	X	X	SPD-8D*	X	X	X	X	X	X
	3010 / 4010	X	SPH-12D	X	X	X	SPD-12D*	X	X	X	X	X	X
	3012/4012/5012/6012/7012	X	SPH-12D	X	X	X	SPD-12D*	X	X	X	X	X	X
	5015 / 7015	X	X	SPH-15D	X	X	X	SPD-15D	X	X	X	X	X
	GMI 10	X	X	X	SPH-2i	SPH-4i	X	X	X	SPM-2i	SPM-4i	X	X
Geonav	G10	X	SPH-12D	X	X	X	SPD-12D*	X	X	X	X	X	X
	G12	X	SPH-12D	X	X	X	SPD-12D*	X	X	X	X	X	X
Lowrance	HDS-5/HDS-5m/HDS-5x	SPH-8D	X	X	X	X	SPD-8D*	X	X	X	X	X	X
	HDS-7 / HDS-7m	SPH-8D	X	X	X	X	SPD-8D*	X	X	X	X	X	X
	HDS-8 / HDS-8m	SPH-8D	X	X	X	X	SPD-8D*	X	X	X	X	X	X
	HDS-10 / HDS-10m	X	SPH-12D	X	X	X	X	SPH-12D*	X	X	X	X	X
Nexus	NX, NX2 Digital, NX2	X	X	X	SPH-2i	SPH-4i	X	X	X	SPM-2i	SPH-4i	X	X
	NX2 Multi (XL)	X	X	X	X	X	X	X	X	X	X	SPM-MAXI-C	X
Raymarine	C & E Series - C70 / C80 / E80	SPH-8D	X	X	X	X	SPD-8D*	X	X	X	X	X	X
	C & E Series - C120 / E120	X	SPH-12D	X	X	X	X	SPD-12D*	X	X	X	X	X
	C & E Series - C90W / E90W	SPH-8D	X	X	X	X	SPD-8D*	X	X	X	X	X	X
	C & E Series - C120W / E120W	X	SPH-12D	X	X	X	X	SPD-12D*	X	X	X	X	X
	C & E Series - C140W / E140W	X	X	SPH-15D	X	X	X	SPD-15D	X	X	X	X	X
	C Series - G120	X	X	SPH-15D	X	X	X	SPD-15D	X	X	X	X	X
	G Series - G150	X	X	X	X	X	X	SPD-15D	X	X	X	X	X
	ST70	X	X	X	SPH-2i	SPH-4i	X	X	X	SPM-2i	SPM-4i	X	X
	ST290 Graphic	X	X	X	X	X	X	X	X	X	X	SPM-MAXI	SPM-MAXI-C
	ST290 Analogue	X	X	X	SPH-2i	SPH-4i	X	X	X	SPM-2i	SPM-4i	X	X
	ST70+	X	X	X	X	X	X	X	X	X	X	SPM-MAXI	SPM-MAXI-C
	ST60+ / ST40	X	X	X	SPH-2i	SPH-4i	X	X	X	SPM-2i	SPM-4i	X	X
	RL70	X	X	X	X	X	X	X	X	X	X	X	X
	A50 / A50d / A57d	SPH-8D	X	X	X	X	SPD-8D*	X	X	X	X	X	X
	A65 / A60 / A70 / A70d	SPH-8D	X	X	X	X	SPD-8D*	X	X	X	X	X	X
Simrad	IS20 / IS70	X	X	X	SPH-2i	SPH-4i	X	X	X	SPM-2i	SPM-4i	X	X
	NSO - D10 Display	SPH-8D	X	X	X	X	SPD-8D*	X	X	X	X	X	X
	NSO - D15 Display	X	X	SPH-15D	X	X	X	SPH-15D	X	X	X	X	X
	NSO - MO15F M'tor	X	X	SPH-15D	X	X	X	SPH-15D	X	X	X	X	X
	GB40 10" Monitor	SPH-8D	X	X	X	X	SPD-8D*	X	X	X	X	X	X
	GB40 15" Monitor	X	X	SPH-15D	X	X	X	SPH-15D	X	X	X	X	X
	NSE-8 / NX40	SPH-8D	X	X	X	X	SPD-8D*	X	X	X	X	X	X
	NSE-12 / NX 45	X	SPH-12D	X	X	X	X	SPH-12D*	X	X	X	X	X
	CP42	X	SPH-12D	X	X	X	X	SPH-12D*	X	X	X	X	X
	AP50 / AP24 / AP28 / AI50	X	X	X	SPH-2i	SPH-4i	X	X	X	SPM-2i	SPM-4i	X	X
Tacktick	Maxi Display T200	X	X	X	X	X	X	X	X	X	SPM-MAXI	X	X
	Maxi Display T100	X	X	X	SPH-2i	SPH-4i	X	X	X	SPM-2i	SPM-4i	X	X

DISTRIBUTION

Scanstrut products are available worldwide. Our network of experienced and helpful distributors and dealers will advise you on selection and installation of your Scanstrut products.

With outlets throughout the UK, USA, Europe, Asia and Oceania, you are never far away from a Scanstrut expert.

Please visit www.scanstrut.com and we will quickly put you in touch with your nearest dealer.



“ALL IN ALL WE ARE VERY HAPPY - SCANSTRUT WOULD EASILY RANK AS ONE OF OUR TOP SUPPLIERS IN TERMS OF PROFESSIONALISM, INFORMATION FLOW, STOCK AVAILABILITY AND SUPPORT”

Visit www.scanstrut.com



1. Easy to use product finder



2. Download dimensions; Instructions; Advice



3. Online ordering for Scanstrut Distributors



4. Worldwide dealer finder