

汽车开关

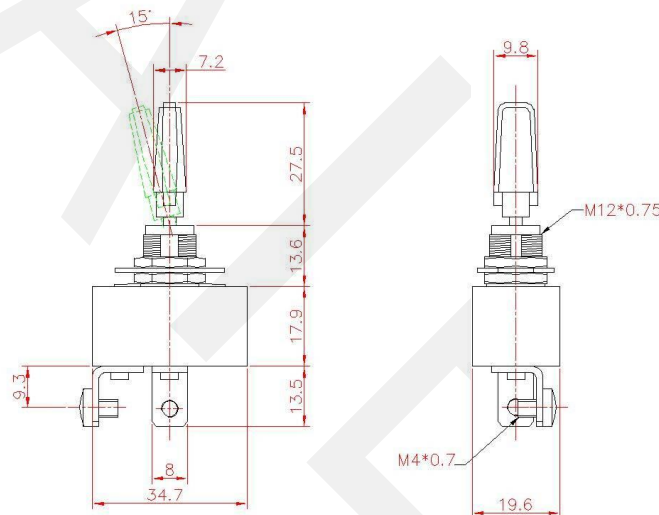
Automobile Switch

型号(TYPE): R13-401-101

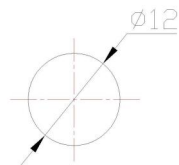
技术特性(Specification)

- 1.规格 (Rating): 50A 12V DC
- 2.接触电阻 (Contact R): $50\text{m}\Omega$ max
- 3.绝缘电阻 (Insulation R): 500V DC $100\text{m}\Omega$ min
- 4.耐电压 (Dielectric Strength): 1 Minute 1500V AC
- 5.操作温度(Operating Temperature): $-25^{\circ}\text{C}\sim+85^{\circ}\text{C}$
- 6.电气寿命(Electrical Life): 10,000 Cycles
- 7.功能(Function): SPST 2PIN ON-OFF

外型图 (Outline Drawing)



安装尺寸 (Mounting)



电路图 (Circuitry)

