

SECTION 1

LOCATION OF CONTROL

- 1.1 Allow adequate clearance for Hand Lever swing (forward and reverse positions).
See Figure 1 for Control dimensions.
- 1.2 Allow adequate clearance under the console for the Cables. Refer to Figure 1.
- 1.3 After a suitable location for the Control is determined, use the Mounting Template provided, and cut & drill the mounting holes required.

SECTION 2

CABLE MEASUREMENT

- 2.1 Measure from the Control Head position along an unobstructed path to the shift and throttle connections.
- 2.2 Cables lengths are measured from end to end. When a measurement is in feet and inches, specify the next whole foot.

NOTE: FOR OUTBOARD ENGINES, ADD FOUR (4) FEET TO THE LENGTH OF THE CABLE FOR A LOOP TO ALLOW FOR ENGINE SWING.

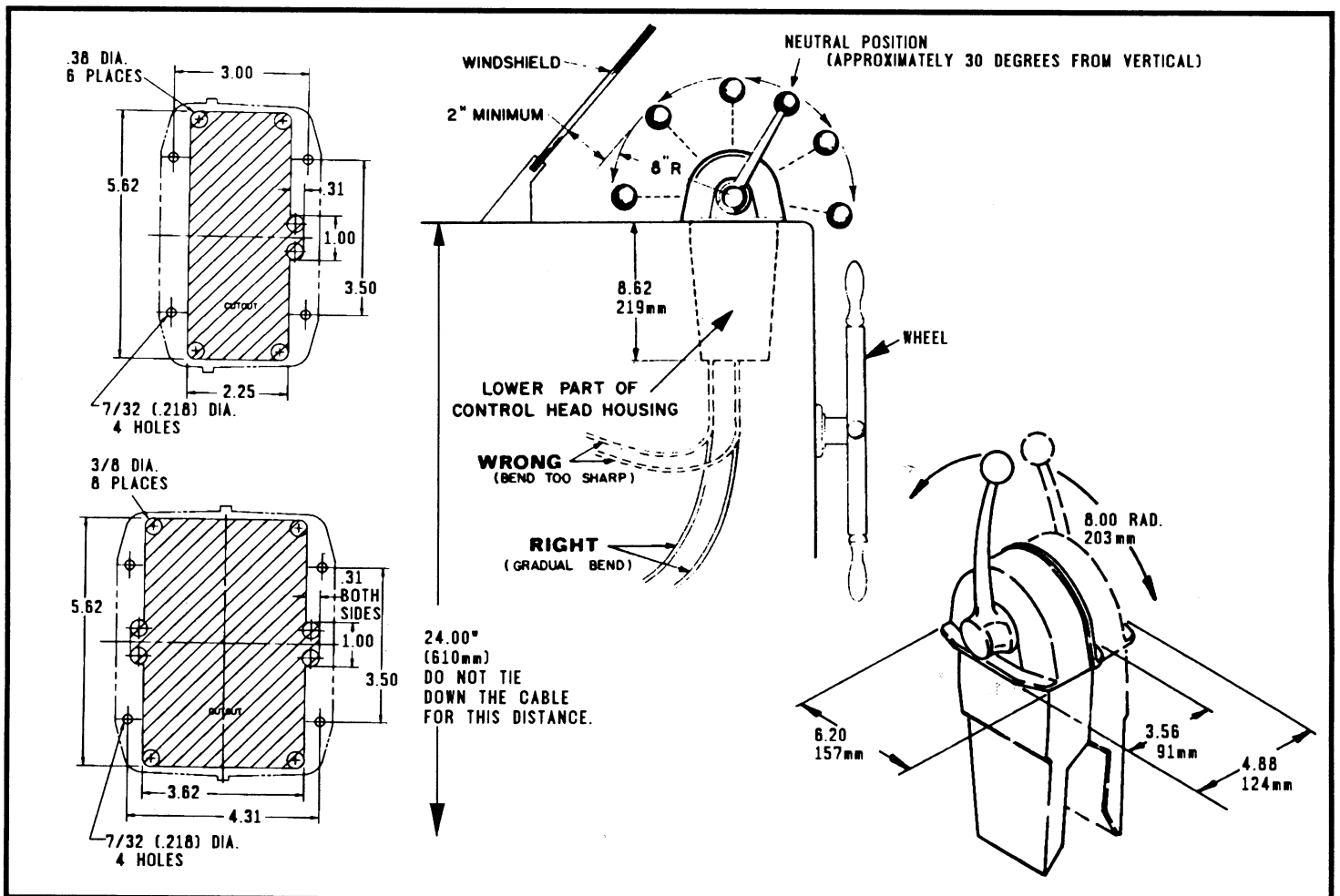


FIGURE 1 CONTROL MEASUREMENTS