



SIDE-POWER
Thruster Systems

DC SEP & SEP-IP SERIES

OPERATIONAL THRUSTER USER MANUAL

Keep this
manual onboard!



To download your language go to www.side-power.com



SLEIPNER MOTOR AS

P.O. Box 519
N-1612 Fredrikstad
Norway
www.side-power.com

Document id: 5916

Revision: 9

Date: 2020



Made in Norway

© Sleipner Motor AS 2020

Important User Considerations and Precautions 3**User Manual**

Thruster Operation	4
Proportional Control Panel	5
Maintenance	6 - 8
Troubleshooting	9
Checklist	10
Spare Parts	11

Products

SEP300/300TC - SEP300 tunnel thruster 48v
SEP250/300TC - SEP250 Tunnel thruster, 24v
SEP210/250TC - SEP210 Tunnel thruster, 24V
SEP170/250TC - SEP170 Tunnel thruster, 24V
SEP150/215T-24V - SEP150 Tunnel thruster, 24V
SEP130/250T-24V - SEP130 Tunnel thruster, 24V
SEP130/250T-12V - SEP130 Tunnel thruster, 12V
SEP120/215T-24V - SEP120 Tunnel thruster, 24V
SEP100/185T-12V - SEP100 Tunnel thruster, 12V
SEP100/185T-24V - SEP100 Tunnel thruster, 24V
SEP80/185T-12V - SEP80 Tunnel thruster, 12V
SEP80/185T-24V - SEP80 Tunnel thruster, 24V
SEP60/185S-12V - SEP60 Tunnel thruster, 12V
SEP60/185S-24V - SEP60 Tunnel thruster, 24v
SEP60/185S2-12V - SEP60 Tunnel thruster, 12v
SEP60/185S2-24V - SEP60 Tunnel thruster, 24v
SEP50/140S-12V - SEP50 Tunnel thruster, 12v
SEP50/140S-24V - SEP50 Tunnel thruster, 24v
SEP40/125S2 - SEP40 Tunnel thruster, 12v
SEP40/125S - SEP40 Tunnel thruster, 12V
SEP30/125S2 - SEP30 Tunnel thruster, 12v
SEP30/125S - SEP30 Tunnel thruster, 12v
SEP25/110S - SEP25 Tunnel thruster, 12v
SEP170/250TC-IP - SEP170 Tunnel thruster, 24V-IP
SEP130/250T-12IP - SEP130 Tunnel thruster, 12V-IP
SEP130/250T-24IP - SEP130 Tunnel thruster, 24v
SEP120/215T-24IP - SEP120 Tunnel thruster, 24V-IP
SEP100/185T-24IP - SEP100 Tunnel thruster, 24V-IP
SEP100/185T-12IP - SEP100 Tunnel thruster, 12V-IP
SEP80/185T-12IP - SEP80 Tunnel thruster, 12V-IP
SEP80/185T-24IP - SEP80 Tunnel thruster, 24v-IP
SEP60/185S2-12IP - SEP60 Tunnel thruster, 12v-IP
SEP60/185S-12IP - SEP60 Tunnel thruster, 12V-IP
SEP50/140S-24IP - SEP50 Tunnel thruster, 24v-IP
SEP50/140S-12IP - SEP50 Tunnel thruster, 12v-IP
SEP40/125S2-IP - SEP40 Tunnel thruster, 12v-IP
SEP40/125S-IP - SEP40 Tunnel thruster, 12V-IP

DECLARATION OF CONFORMITY

MC_0020



Sleipner Motor AS
P.O. Box 519, Arne Svendsensgt. 6-8
N-1612 Fredrikstad, Norway

Declare that this product with accompanying standard control systems complies with the essential health and safety requirements according to:

DIRECTIVE 2013/53/EU
DIRECTIVE 2014/30/EU
DIRECTIVE 2014/35/EU

IMPORTANT

Failure to follow the Considerations and precautions can cause serious injury / damage and will render all warranty given by Sleipner Motor AS VOID.

Never use thrusters when close to objects/ persons or pets in the water. The thruster will draw objects into the tunnel and the rotating propellers. This will cause serious injuries and damage the thruster.

Always turn the main power switch off before touching any part of the thruster, An incidental start while touching moving parts can cause serious injuries.

Never store items (e.g. equipment, sails, ropes etc.) in the same compartment as the thruster. When the thruster runs for an extended period, it can reach 150°C and will cause damage to nearby items or cause a fire. The electromotor will generate some carbon dust so any storage compartment must be separated from the thruster to prevent nearby items from becoming dusty/ dirty.

Any loose items near the thruster motor can cause problems with electrical wiring coming loose and short-circuiting.

- Ensure you know the location of the main battery switch that disconnects the thruster from all power sources (batteries) so the thruster can be turned off in case of serious malfunction.
- Always turn the control device off when the thruster is not in use or when leaving the boat.
- When leaving the boat always turn off the main power switch for the thruster.
- The maximum continuous run time of the electrical thruster is approximately 3 minutes. The motor is equipped with a built-in thermal cut-off switch that will shut the motor off when overheating. Consider this when planning your manoeuvring.
- Never use thrusters out of water.
- If the thruster stops giving thrust while running, there is possibly a problem in the drive system. You must immediately stop running the thruster and turn it off. Running the thruster for more than a few seconds without resistance from the propeller can cause serious damage to the thruster.
- We advise keeping the main engine(s) running while using the thruster. This will keep the batteries in a good charge condition. It will also give better performance to the thruster.
- If the performance of the thruster is reduced check the battery system or check the tunnel for marine growth.
- If two panels are operated with conflicting directions at the same time the thruster will not run. If both are operated in the same direction, the thruster will run in this direction.
- If you notice any faults with the thruster switch it off to avoid further damage.
- The electro motor, its components, contacts/ plugs or other joints in the control cables must be mounted so they will remain dry at all times.
- It is the owner/ captain/ other responsible parties full responsibility to assess the risk of any unexpected incidents on the vessel. If the thruster stops giving thrust for some reason while manoeuvring you must have considered a plan on how to avoid damage to persons or other objects.
- The primary purpose of the thruster is to manoeuvre/ dock the vessel. Forward/ reverse speed must not exceed 4 knots when operated.

IMPORTANT

NEVER Disassemble any part of the Ignition Protected assembly. Tampering with the Ignition Protected assembly will cause it to lose this safety feature.

If there is a problem with your Ignition Protected stern thruster, please contact your dealer.

! Please refer to the graphic for special considerations relating to your model !

Take time to practice operation in open water to become familiar with the thruster and to avoid damages to your boat or people.

How to use the Thruster

1. Turn on the main power switch for the thruster. **(NB: Always turn off the main power switch when not on-board.)**
2. Turn on the control panel by pushing both "ON" buttons on the Side-Power panel simultaneously.
* Turn off the control panel by pushing both "OFF" button

(NB: Control panels designed for the hydraulic system have a replace the secondary 'OFF' button with a red 'STOP' button for an emergency stop function.)

Joystick Control

To Turn the bow in the desired direction move the joystick in the direction you wish the bow to move.

Button Control

For 'HOLD' function.

* For other controls like foot switches or toggle-switches please refer to that products user manual for detailed operational use.

How to use a combined bow and stern thruster

The combination of a bow and stern thruster offers total manoeuvrability to the boat and the ability to move the bow and the stern separately from each other. This enables you to move the boat sideways in both directions and turn the boat around its axis 360° staying stationary.

(NB: At speed the side thruster will have little or no effect to steer the vessel.)

Proportional control thruster

For proportional control move the joystick equivalent to the amount of thrust you intend to receive.

PRO proportional CONTROL PANEL



PJC211

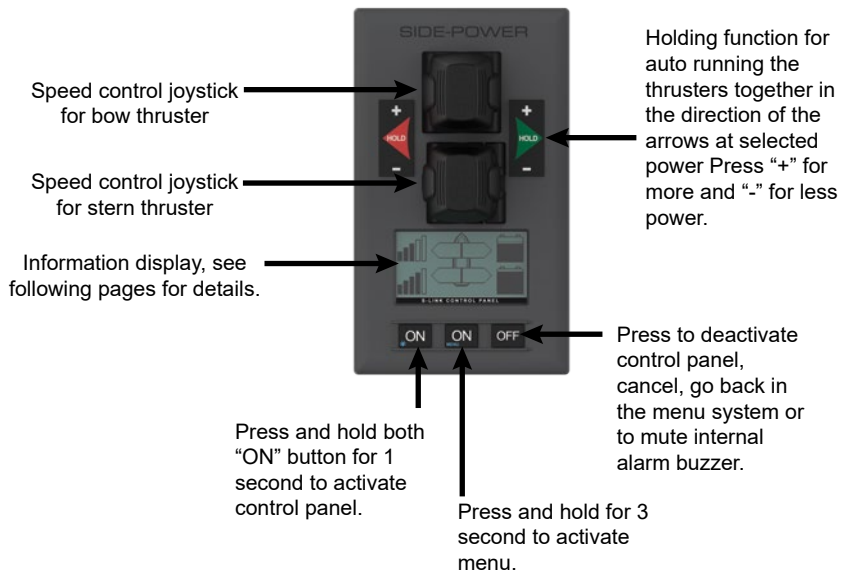
PJC212

S-Link REMOTE CONTROL



RCS-20

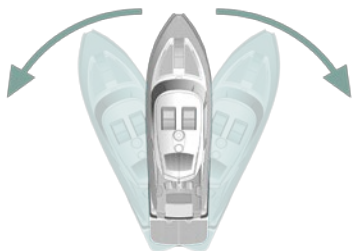
Proportional Control Panel



Activating the bow thruster



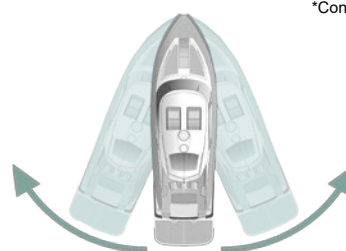
*Control panel example



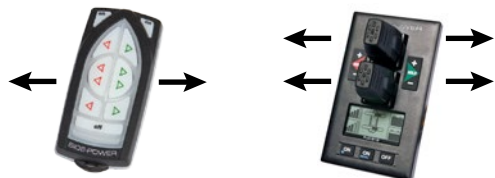
Activating the stern thruster



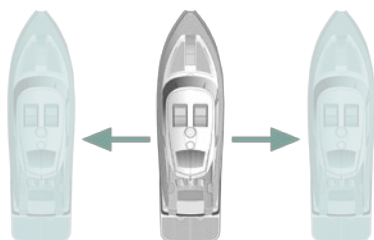
*Control panel example



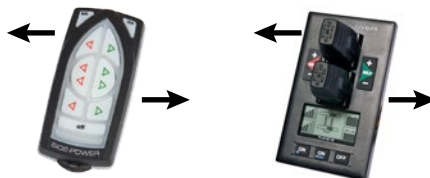
Activating both bow and stern thruster to push the boat sideways



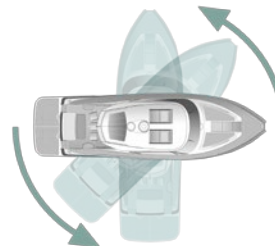
*Control panel example



Activating both bow and stern thruster to rotate the boat on axis



*Control panel example



As a part of the seasonal service of your Thruster before every season, always check that:

In Water

- The area around the thruster inside the boat is clean and dry. Ensure there are no signs of water leaks.
- All electrical connections are clean and fastened firmly.
- Ensure that your batteries are in good condition.

Out of Water

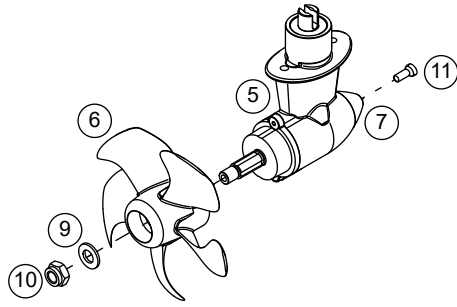
- Check the propeller(s) or tunnel for any damage for example impact damage.
- The propeller(s) is fastened securely to the gear leg.
- Check all components of thruster are fastened securely.
- Clean the tunnel and gear leg from marine growth.
- Paint the propeller and gear leg with anti-fouling before every season to keep it clean from sea growth. **(NB: Never paint the anode, sealing or propeller shaft. Ensure paint does not enter the space between the propeller and the gear leg.)**
- Change the anode before every season, or when half the anode has eroded. Always use a sealant or thread glue on the holding screw to ensure that it does not fall off.
- Check the gear leg is not leaking oil

IMPORTANT

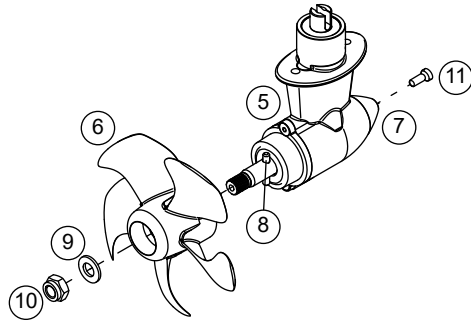
NEVER Disassemble any part of the Ignition Protected assembly. Tampering with the Ignition Protected assembly will cause it to lose this safety feature.

If there is a problem with your Ignition Protected stern thruster, please contact your dealer.

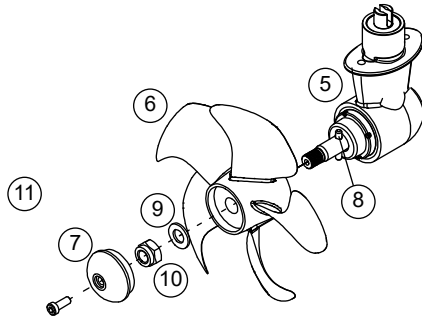
SE / SEP
*20
*25
*30
*40



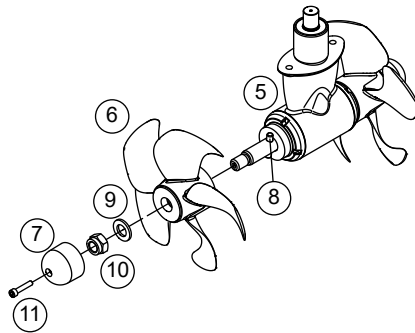
SE / SEP
*50



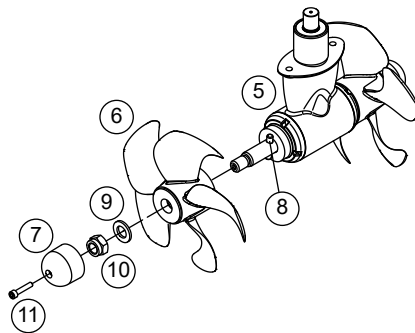
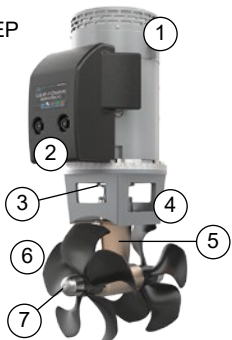
SE / SEP
*60



SE / SEP
*80
*100
*120
*130
*150
*170
*210



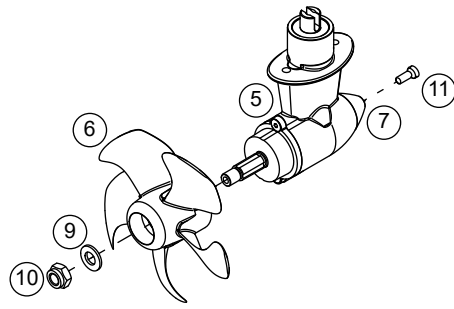
SE / SEP
*250
*300



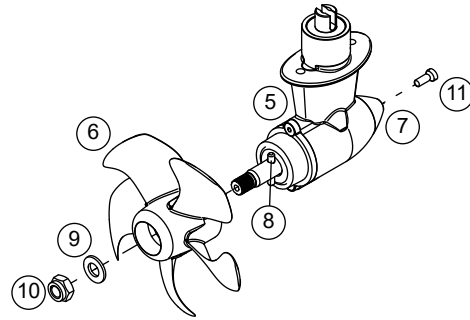
KEY:

1. Electro motor
2. Directional Solenoids/ power & control cables
3. Coupling (inside motor bracket)
4. Motor Bracket
5. Gear Leg
6. Propeller
7. Anode
8. Propeller Drive pin
9. Washer
10. Lock Nut
11. Fastening Screw for anode

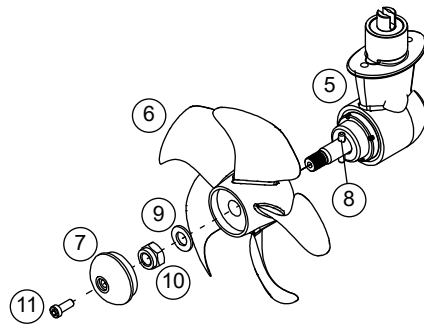
SE / SEP (IP)
*30
*40



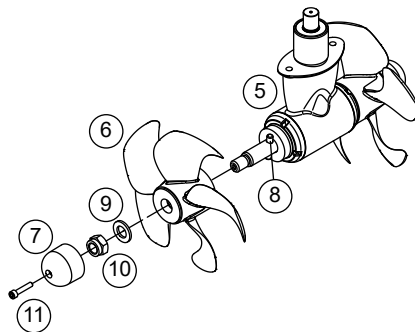
SE / SEP (IP)
*50



SE / SEP (IP)
*60



SE / SEP (IP)
*80
*100
*120
*130
*170



KEY:

- 1. Electro motor
- 2. Directional Solenoids/ power & control cables
- 3. Coupling (inside motor bracket)
- 4. Motor Bracket
- 5. Gear Leg
- 6. Propeller
- 7. Anode
- 8. Propeller Drive pin
- 9. Washer
- 10. Lock Nut
- 11. Fastening Screw for anode

Before seeking assistance from the website help desk from your Side-Power dealer/ distributor, please perform these tests.
(NB: If you are unable to understand what to check, you must consult a Side Power distributor.)

Control panels operating on the S-link system display all faults via the control panel interface or via other warning methods.

To review any issues of your product refer to the appropriate user manual for a complete list of fault codes and troubleshooting guides.

For additional supporting documentation, we advise you to visit our website www.side-power.com for the spare parts list.



CHECK TO PERFORM	DATE											
The propeller is fastened securely to the gear leg.												
The thruster components are fastened securely.												
The area around the thruster is clean and dry. If there are signs of water, try to find the source and eliminate it.												
Apply the propeller and gear leg with anti-fouling.												
Batteries are in good condition.												
All electrical connections are clean and fastened firmly.												
Replace the anode.												

For the most up to date documentation, we advise you to visit our website www.side-power.com for the spare parts list.

For additional supporting documentation, we advise you to visit our website www.side-power.com for the spare parts list.

1. The equipment manufactured by Sleipner Motor AS (The "Warrantor") is warranted to be free from defects in workmanship and materials under normal use and service.
2. This Warranty is in effect for of two years (Leisure Use) or one year (Commercial use) from the date of purchase by the user. Proof of purchase must be included, to establish that it is inside the warranty period.
3. This Warranty is transferable and covers the product for the specified time period.
4. In case any part of the equipment proves to be defective, other than those parts excluded in paragraph 5 below, the owner should do the following:
 - (a) Prepare a detailed written statement of the nature and circumstances of the defect, to the best of the Owner's knowledge, including the date of purchase, the place of purchase, the name and address of the installer, and the Purchaser's name, address and telephone number;
 - (b) The Owner should return the defective part or unit along with the statement referenced in the preceding paragraph to the warrantor, Sleipner Motor AS or an authorized Service Centre, postage/shipping prepaid and at the expense of the Purchaser;
 - (c) If upon the Warrantor's or Authorized Service Centre's examination, the defect is determined to result from defective material or workmanship, the equipment will be repaired or replaced at the Warrantor's option without charge, and returned to the Purchaser at the Warrantor's expense;
 - (d) no refund of the purchase price will be granted to the Purchaser, unless the Warrantor is unable to remedy the defect after having a reasonable number of opportunities to do so. Prior to refund of the purchase price, Purchaser must submit a statement in writing from a professional boating equipment supplier that the installation instructions of the Installation and Operation Manual have been complied with and that the defect remains;
 - (e) warranty service shall be performed only by the Warrantor, or an authorized Service Centre, and any attempt to remedy the defect by anyone else shall render this warranty void.
5. There shall be no warranty for defects or damages caused by faulty installation or hook-up, abuse or misuse of the equipment including exposure to excessive heat, salt or fresh water spray, or water immersion except for equipment specifically designed as waterproof.
6. No other express warranty is hereby given and there are no warranties which extend beyond those described in section 4 above. This Warranty is expressly in lieu of any other expressed or implied warranties, including any implied warranty of merchantability, fitness for the ordinary purposes for which such goods are used, or fitness for a particular purpose, and any other obligations on the part of the Warrantor or its employees and representatives.
7. There shall be no responsibility or liability whatsoever on the part of the Warrantor or its employees and representatives for injury to any person or persons, or damage to property, loss of income or profit, or any other consequential or resulting damage or cost which may be claimed to have been incurred through the use or sale of the equipment, including any possible failure or malfunction of the equipment, or part thereof.
8. The Warrantor assumes no liability for incidental or consequential damages of any kind including damages arising from collision with other vessels or objects.
9. This warranty gives you specific legal rights, and you may also have other rights which vary from country to country.

Worldwide sales and service



www.side-power.com



SLEIPNER MOTOR * AS P.O. Box 519 * N-1612 Fredrikstad * Norway

The information given in the document was correct at the time it was published. However, Sleipner Motor AS can not accept liability for any inaccuracies or omissions it may contain. Continuous product improvement may change the product specifications without notice. Therefore, Sleipner Motor AS can not accept liability for any possible differences between product and document.

MC_0030