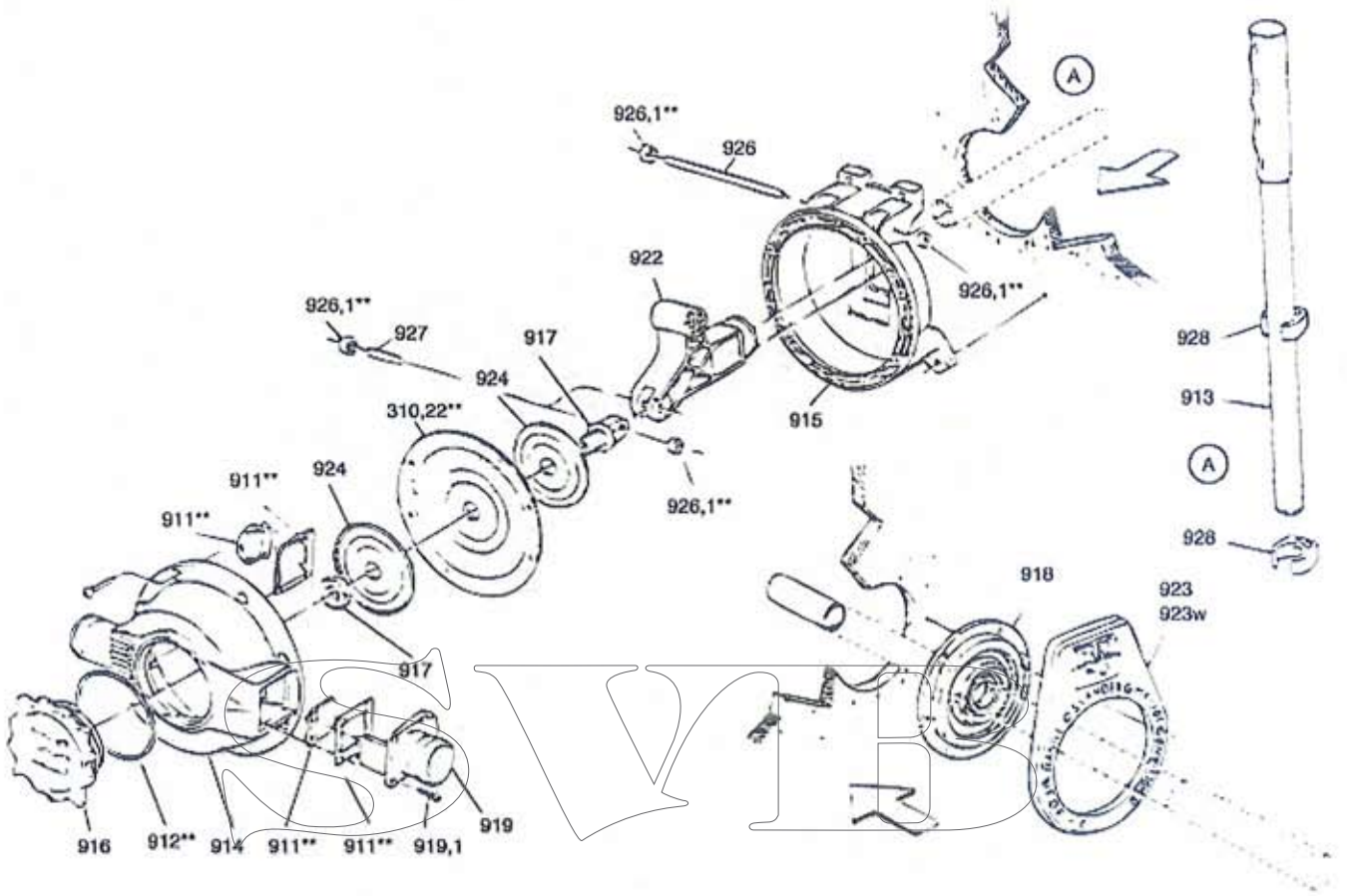


BILGEPUMP SENIOR B

Technical specifications



Partsno.	Description
310.22**	Membrane
911**	Valve set
912**	O-ring
913	Handle
914	Pump body black
915	Pump base black
916	Screw cap black
917	Bolt + nut
918	Rubber manchet
919	Valve cover black
922	Lever
923	Manchet holder black
921**	Repairkit