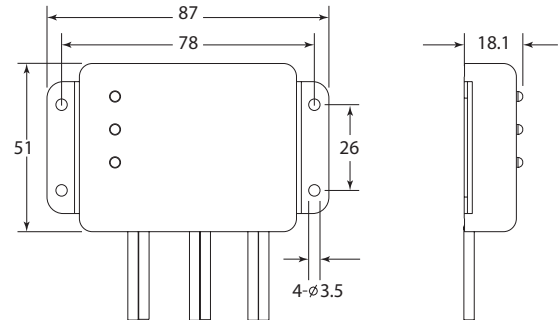




### Technical Drawing



### Product Introduction

Phocos' ECO solar charge controller is the perfect option for any low-power application requiring superior resistance to the elements. Its small size, reliability, and price make it a great solution for a wide range of projects.

ECO is equipped with low-voltage disconnect. It is fully protected electronically and it has an LED display that communicates charge and load status.

### Product Features

- Electronically regulated charging mode: boost, main and float charge
- Deep discharge protection
- PWM series regulation (PV panel is not short-circuited)
- Integrated temperature compensation
- Fully electronically protected against: panel surge voltage, wrong polarity (panel or battery), overload and short circuit at load
- Three LED indicators: charge status, SOC, LVD, overload/short circuit
- IP68 protection

### Technical Data

| Type   | ECO 10   |
|--|--|
| System voltage                                       | 12V  |
| Max. charge/load current                             | 10A  |
| Float charge   | 13.8V (25°C)   |
| Main charge  | 14.4V (25°C), 0.5 h (daily)                                |
| Boost charge   | 14.4V (25°C), for 2 h Activation: battery voltage < 12.3 V |
| Deep discharge protection<br>Load disconnect voltage | 11.0V  |
| Overvoltage protection                               | 15.5V  |
| Undervoltage protection                              | 10.5V  |
| Max. PV panel voltage                                | 30V  |
| Temperature compensation                             | -25 mV/K   |
| Idle self-consumption                                | 4 mA   |
| Grounding  | Positive grounded  |
| Ambient operating temperature                        | -40 to +140degF (-40 to +60deg C)                          |
| Max. altitude  | 4,000 m above sea level                                    |
| Battery type   | Lead acid (GEL, AGM, flooded)                              |
| Wire cross section                                   | AWG 13/2.5mm <sup>2</sup>                                  |
| Dimensions (W x H x D)                               | 87 x 51 x 16 mm  |
| Weight   | 0.24 lbs (0.11 kg)   |
| Type of protection                                   | IP68   |
| Warranty   | 2 Years  |