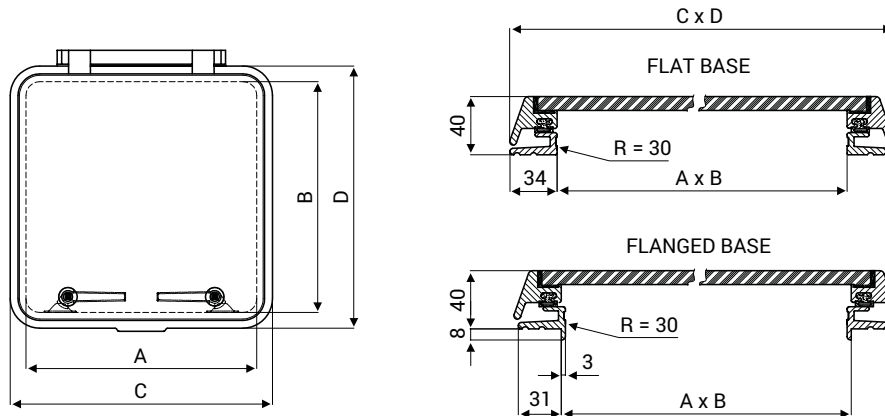


>> "Silver" series Aluminium Hatch. Technical data.



HATCH					
HATCH CODE WITH FLAT BASE	HATCH CODE WITH FLANGED BASE	CUT-OUT SIZE	OVERALL DIMENSIONS	HINGE WIDTH	PLEXIGLASS THICKNESS
		A x B	C x D	G	
218.200	218.205	340 x 195	408 x 263	365	10
218.210	218.215	450 x 320	518 x 388	365	10
218.220	218.225	500 x 370	568 x 438	365	10
218.230	218.235	500x 500	568 x 568	365	10
218.240	218.245	620 x 620	688 x 688	495	12

N.B. The CUT-OUT A x B dimensions refer to the hatch, please consider 2.5 mm extra on both the height and length side when cutting out the opening on the deck.

OPTIONALS				
HATCH CODE WITH FLAT BASE	HATCH CODE WITH FLANGED BASE	MOSQUITO NET CODE	DARKENING PANEL CODE	FINISHING FRAME CODE
218.200	218.205	601.200	602.200	600.200
218.210	218.215	601.210	602.210	600.210
218.220	218.225	601.220	602.220	600.220
218.230	218.235	601.230	602.230	600.230
218.240	218.245	601.240	602.240	600.240

NEMO INDUSTRIE S.p.A.

via P. Togliatti, 1555
47025 Cella di Mercato Saraceno FC - Italy

ph: +39 0547 96567
fax: +39 0547 96526

nemo@nemoindustrie.com
www.nemoindustrie.com