

ST* Blade Fuse Block

* Screw Terminal

12 Circuit with Negative Bus

PN: 5026 Accepts ATO and ATC Fast Acting Blade Fuses



ST* Blade Fuse Block

* Screw Terminal

Features

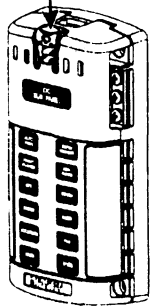
- 20 write-on labels included (inside card)
- 60 preprinted labels available (PN: 8214)
- Cover insulates all conductive parts, satisfying ABYC/USCG requirements
- Integrated negative bus • Clear insulating cover with label recesses
- Tin-plated copper buses and fuse clips give 30 Ampere rating per circuit
- Accepts ATO and ATC fast acting blade type fuses

Specifications

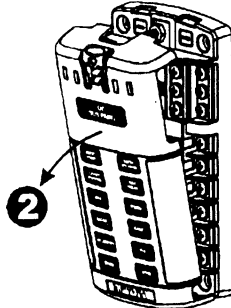
Base material	Reinforced Polycarbonate
Cover Material	Polycarbonate
ATO/ATC Available	1 to 40 Amperes
Block Dimensions	6.472" x 3.315" x 1.518" 164.39mm x 84.20mm x 38.57mm
Maximum Amperage per Circuit**	30 Amperes
Maximum Amperage per Block**	100 Amperes
Maximum Voltage	32V DC
Recommended Wire Size	Positive and Negative Feed #4-6 Individual Circuits #10-16
Recommended Torque	#8 Screw 18 in-lb #10 Stud 24 in-lb

**Amperage Rating at 50° C Maximum Ambient

1 To Open the Cover

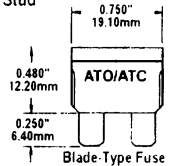
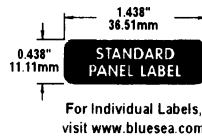
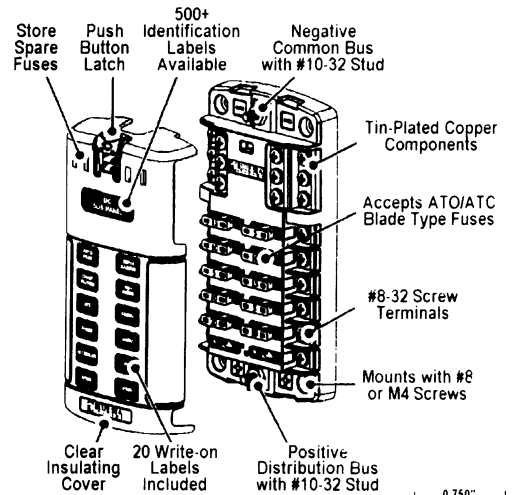
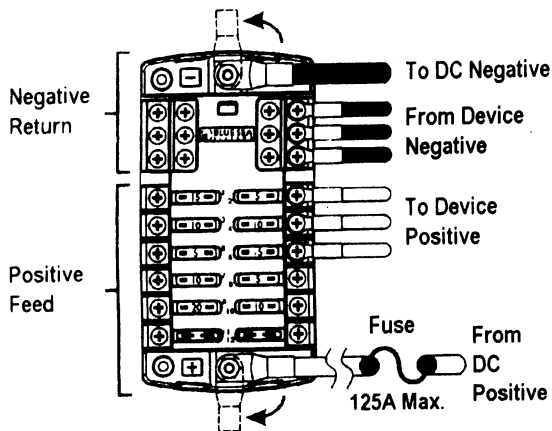


Push Button Down



Swing Cover Open

Wiring Diagram



Application Note: This device is intended for branch circuit protection. Suitable main circuit protection of not more than 125A rating should be provided ahead of this device with an interrupt current rating consistent with the battery capacity. Consult ABYC E-11 Table V. See "Circuit Protection" at www.blueseasystems.com.



Blue Sea Systems Inc.

425 Sequoia Drive - Bellingham, WA 98226 USA
Phone (360)738-8230 - Fax (360)734-4195 - www.blueseasystems.com

Hauptanschlüßbolzen
(+/-) Ø 5mm

Schraubanschlüsse zu den
einzelnen Stromkreisen
Ø 4mm

Achtung: keine metrischen
Gewinde!

Nr. 21001