

NEW

eS SERIES

HIGH PERFORMANCE
MULTIFUNCTION
DISPLAYS



Raymarine[®]
BY **FLIR**

eS Series: the smarter multifunction display

Whether you fish, sail, or just cruise the open water, eS Series' advanced LightHouse II operating system with HybridTouch™ gives you total control. With the choice of responsive touch screen or keypad control, eS Series puts navigation, sensors, safety, and entertainment right at your fingertips.



RUGGED ERGONOMIC DESIGN

- The sleek glass bridge design of eS Series will enhance any helm station with bracket, surface and completely flush mounting options.
- Mount eS Series anywhere – flush and bracket mounted hardware included
- Super bright displays with optical bonding technology deliver sharp colors and contrast in all lighting conditions.



POWERED BY LIGHTHOUSE II

- Raymarine's simple, yet powerful operating system.
- Easy to customize with quick access to your favorite applications.
- Simple to expand. Network with multiple displays powered by LightHouse II
- Engineered for the future with regular updates and enhancements.



GO MOBILE

- Access your eS Series from anywhere on board.
- Built in Wi-Fi allows you to stream to Raymarine mobile apps and sync with Navionics Boating.





SWIMB

FAST ACQUISITION GPS

- Built-in GPS/GLONASS receiver provides rapid position updates and ultra-fast satellite acquisition.
- Optional GA-150 external antenna connection (eS9 & eS12 only).



eS Series available in three sizes: 7, 9 and 12 inches



HYBRIDTOUCH™

Raymarine HybridTouch technology offers a choice of intuitive touch screen interaction with pinch-to-zoom or full keypad control when seas are rough.

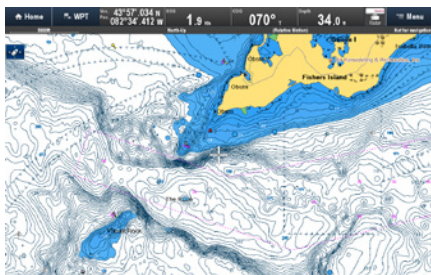
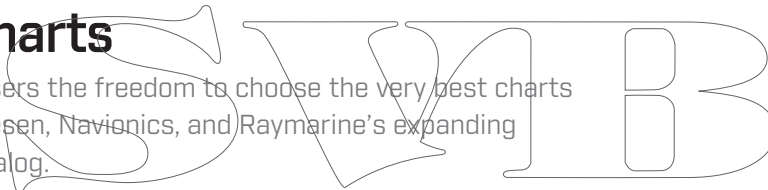
MULTIFUNCTION ROTARY CONTROL

Innovative Multifunction Rotary Control combines precise cursor and menu adjustments into a single point of control.



The Best Charts

LightHouse II gives users the freedom to choose the very best charts from C-MAP by Jeppesen, Navionics, and Raymarine's expanding LightHouse chart catalog.



C-MAP BY JEPPESEN

- Support for C-MAP 4D and 4D MAX+ charts.
- Choose eS Series with C-MAP Essentials charts bundled together and upgrade to a local C-MAP 4D chart.



NAVIONICS CHARTS

- Support for Navionics+, Platinum+, Gold, and HotMaps charts.
- Sync charts and data between eS Series and the Navionics Boating mobile app.
- Subscribe to Navionics Freshest Data for crowd sourced Sonarcharts and Community Edits.



LIGHTHOUSE CHARTS

- Free and premium chart options from leading map makers including: NOAA / Blue Latitude Press / Fugawi Aboard Canada / NV Digital / Solteknik.
- New charts are added regularly.



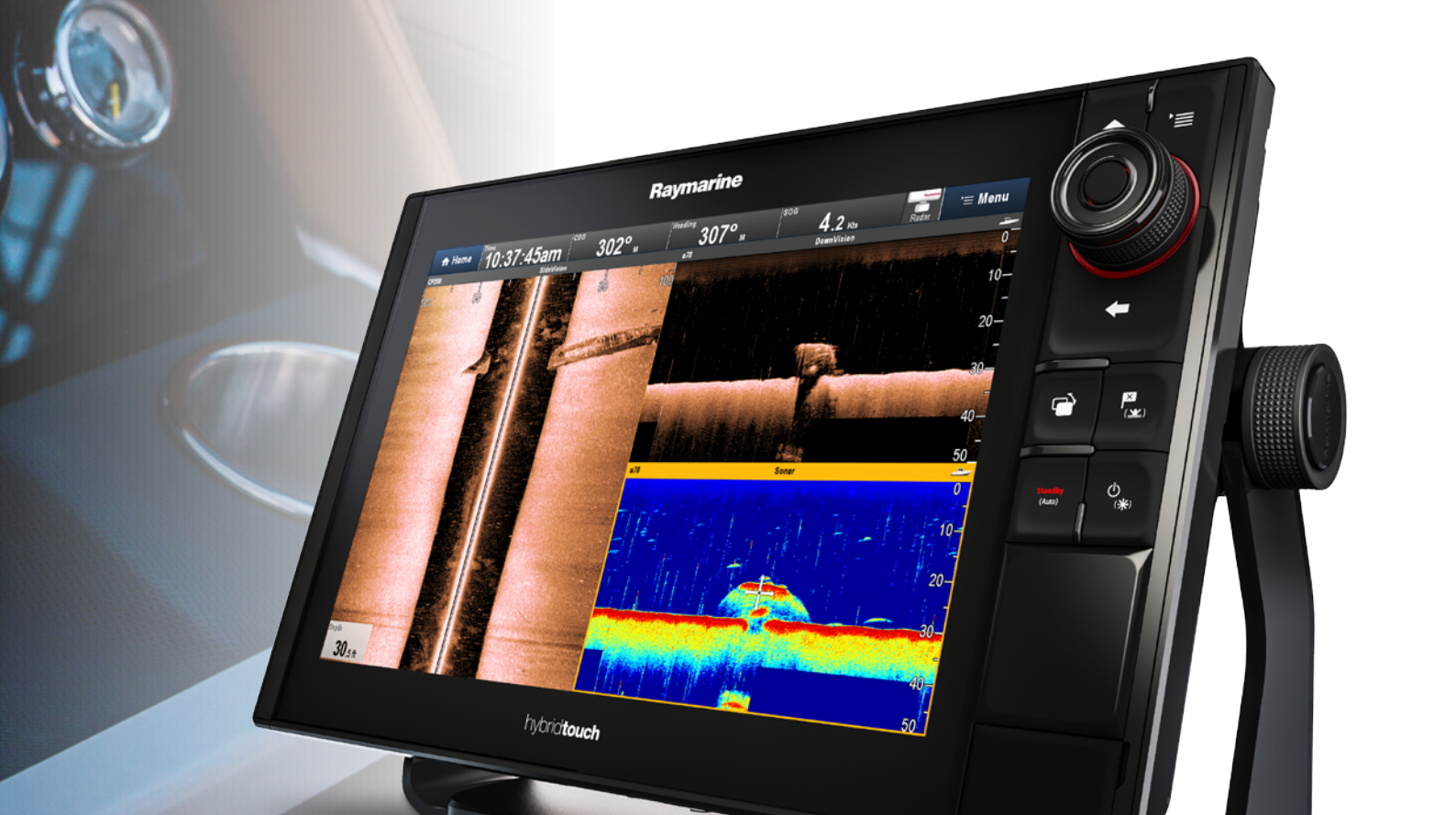
AUTOMATIC ROUTE BUILDING

Automatically plots the best route between two points using Navionics or C-MAP By Jeppesen charts.

- Navionics Auto Routing with Navionics+ or Platinum Charts.
- C-MAP Easy Routing with C-MAP 4D MAX+ charts.



For more product information, go to raymarine.com



Superior Sonar

Go Hunting Underwater with eS Series and Raymarine high fidelity Sonar.



SONAR COMMAND CENTER (ABOVE)

- View up to 4 independent sonar channels simultaneously.
- Any combination of embedded or black-box sonar systems.

SUPERIOR SONAR TECHNOLOGY

- Advanced CP370 1kW Digital sonar option for blue water fishing.
- Offshore-ready using optional CP470 and CP570 CHIRP sonar modules.

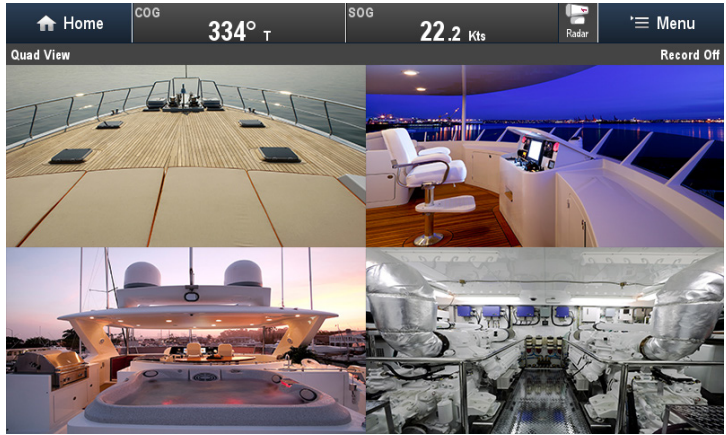
HIGH FIDELITY CHIRP SONAR

- Internal wide-spectrum CHIRP DownVision™ on eS78, eS98 and eS128 models.
- High performance CHIRP SideVision™ compatible with optional CP200.



Network Sensors

Harness the full power of eS Series with high performance sensors and peripherals to enhance your time on the water.



ONBOARD VIDEO MONITORING

- Video over IP support.
- Analogue video input.
- Monitor up to 4 cameras simultaneously.
- Record and take snapshots of digital video streams.

STAY SAFE WITH THERMAL NIGHT VISION

- Easy-to-use. As simple as watching and controlling your TV.
- Day and night operation.
- The best man-overboard detection.
- Slew-to-cue* improves situational awareness and safety. Thermal camera automatically keeps "cued" targets in view at all times.



* Slew-to-cue functionality available on select FLIR cameras.



Digital switching

DIGITAL SWITCHING

- Vessel automation and control system.
- Control lighting, climate, navigation components, wipers, entertainment, security and much more.
- State-of-the-art digital power distribution.
- Super reliable and cost-effective.
- Simple, custom graphical interface.



For more product information, go to raymarine.com



Engine integration

ENGINE INTEGRATION

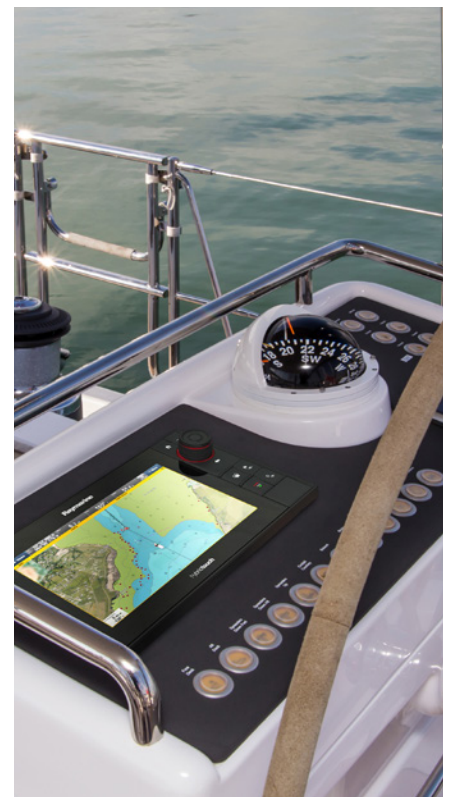
- Complete monitoring of engines, generators, batteries and more.
- NMEA2000-compatible.
- ECI-100 Universal Connectivity for Yanmar, Yamaha, Honda, and more.



Evolution Autopilot

EVOLUTION AUTOPILOT CONTROL

- Engage and control Raymarine Evolution autopilots directly from the eS Series chartplotter display.
- Follow waypoints and routes with unmatched precision using Evolution's aerospace derived 9-axis sensor technology.
- Add a p70 or p70R pilot control head for remote control and advanced features.





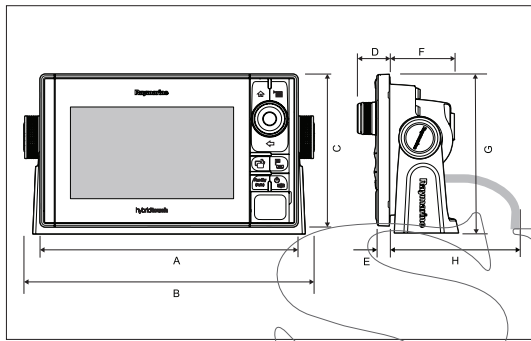
SENSOR OPTIONS

- Radome or Open Array Radars.
- CHIRP and Digital Sonar Modules.
- CHIRP SideVision™ Sonar Module.
- AIS (Automatic Identification System) Receivers.
- Thermal Night Vision cameras.
- IP and Analogue video cameras.

- NMEA2000 and SeaTalk^{NG} instruments
- Engine instrument integration via NMEA2000 or ECI-100.
- Fusion Stereo controls.
- SIRIUSXM Weather (USA only).
- EmpirBus Digital Switching.

REMOTE CONTROL OPTIONS

- RayControl Mobile App for iOS and Android.
- RMK-9 Wired Remote Keypad.
- RCU-3 Bluetooth Wireless Remote.



	eS7	eS9	eS12
A	244.2 mm (9.6 in.)	299.3 mm (11.8 in.)	358 mm (14 in.)
B	275.2 mm (10.8 in.)	332 mm (13 in.)	390.5 mm (15.4 in.)
C	144.7 mm (5.7 in.)	173.8 mm (6.8 in.)	222.8 mm (8.8 in.)
D	31 mm (1.2 in.)	32 mm (1.3 in.)	31.9 mm (1.3 in.)
E	12.5 mm (0.49 in.)	13.5 mm (0.53 in.)	13.5 mm (0.53 in.)
F	61.9 mm (2.4 in.)	64.7 mm (2.6 in.)	64.4 mm (2.5 in.)
G	152.5 mm (6 in.)	184.6 mm (7.3 in.)	244.5 mm (9.6 in.)
H	150 mm (5.9 in.)	150 mm (5.9 in.)	150 mm (5.9 in.)

	eS7	eS9	eS12
Screen size	7.0 inches	9.0 inches	12.0 inches
Resolution	800 x 480	800 x 480	1280 x 800
Brightness	1250 nits		
Optically bonded display	Yes		
Voltage	12V / 24V DC (10.8 V DC to 31.2V DC)		
Built-in GPS sensor	10 Hz GPS/GLONASS		
Built-in 600W Digital sonar (50/200 kHz)	eS77, eS97 and eS127 models		
Built-in 2-channel CHIRP sonar with DownVision	eS78, eS98 and eS128 models		
Ethernet	RayNet ports: eS7 (x1) eS9 and eS12 (x2)		
NMEA2000	SeaTalk ^{NG} (x1)		
NMEA0183 input/output	Yes		
Video output	HDMI (x1) on eS9 and eS12		
Transducer port	1 (one) on sonar models		
Memory slot	MicroSD (x2) up to 32GB each		
Wi-Fi for mobile app integration	Yes		
Bluetooth	Yes		
Mounting options	Bracket, surface and flush mount		
Waterproofing standard	IPX6 and 7		
Warranty	2 Years upgradable to 3 years		

RAYMARINE INC
 9 Townsend West,
 Nashua, NH,
 03063
 United States of America

Tel: (+1) 603 324 7900
www.raymarine.com

CONTENT NOTE

The technical and graphical information contained in this brochure, to the best of our knowledge, was correct as it went to press. However, the Raymarine policy of continuous improvement and updating may change product specifications without prior notice. Therefore, unavoidable differences between the product and this brochure may occur from time to time, for which liability cannot be accepted by Raymarine.

Some images in this brochure are used for illustration purposes only.



For more product information,
 go to raymarine.com