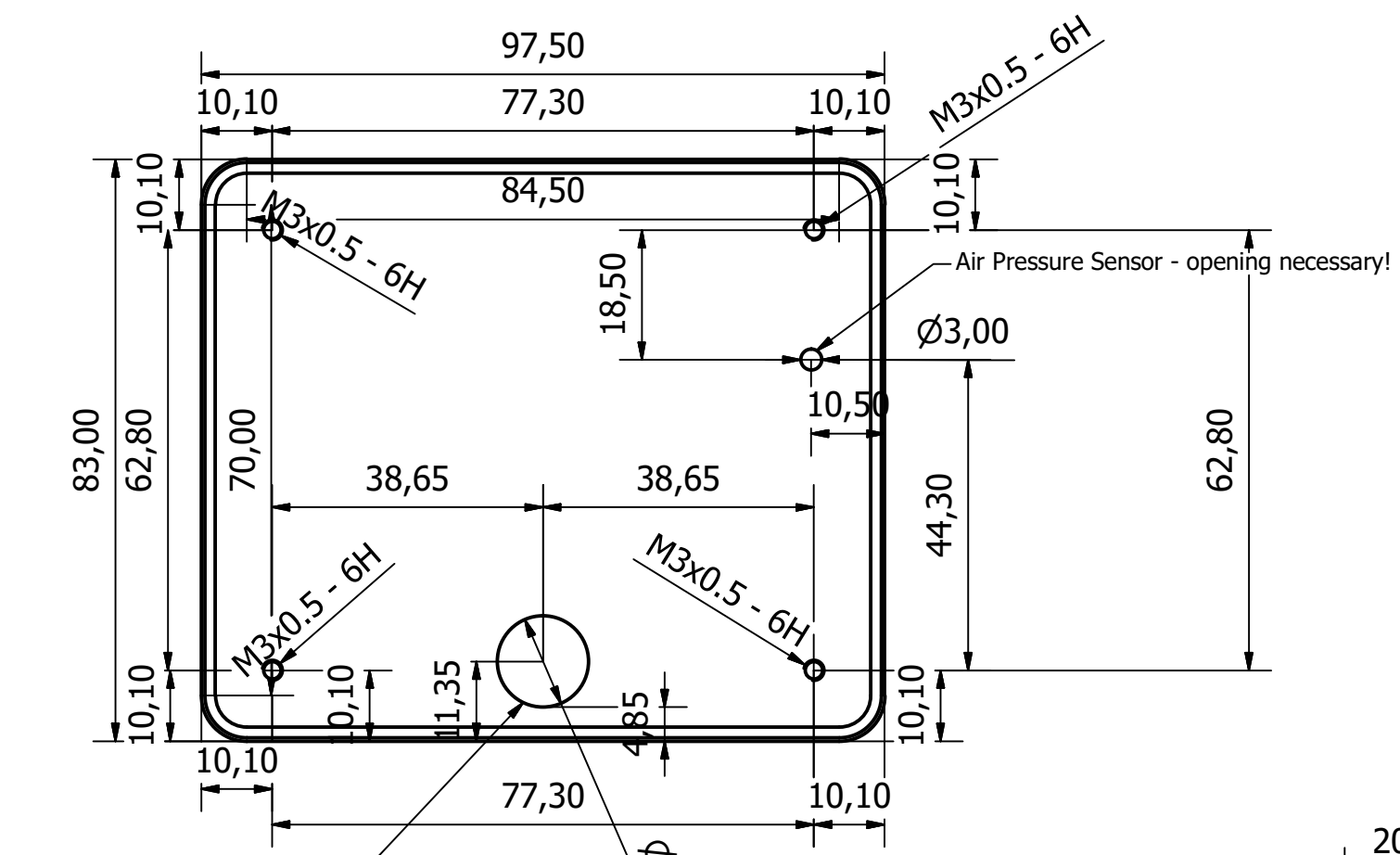


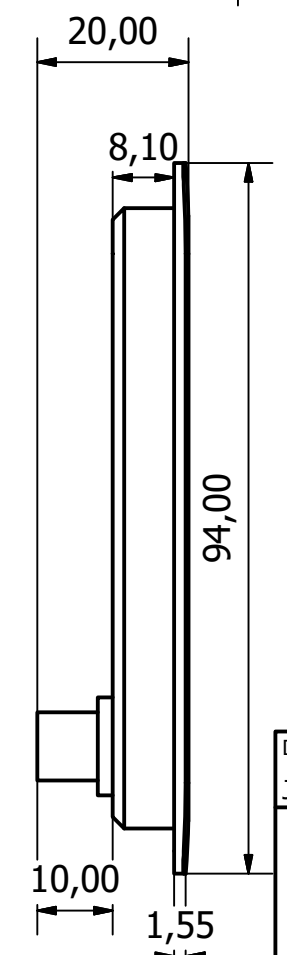
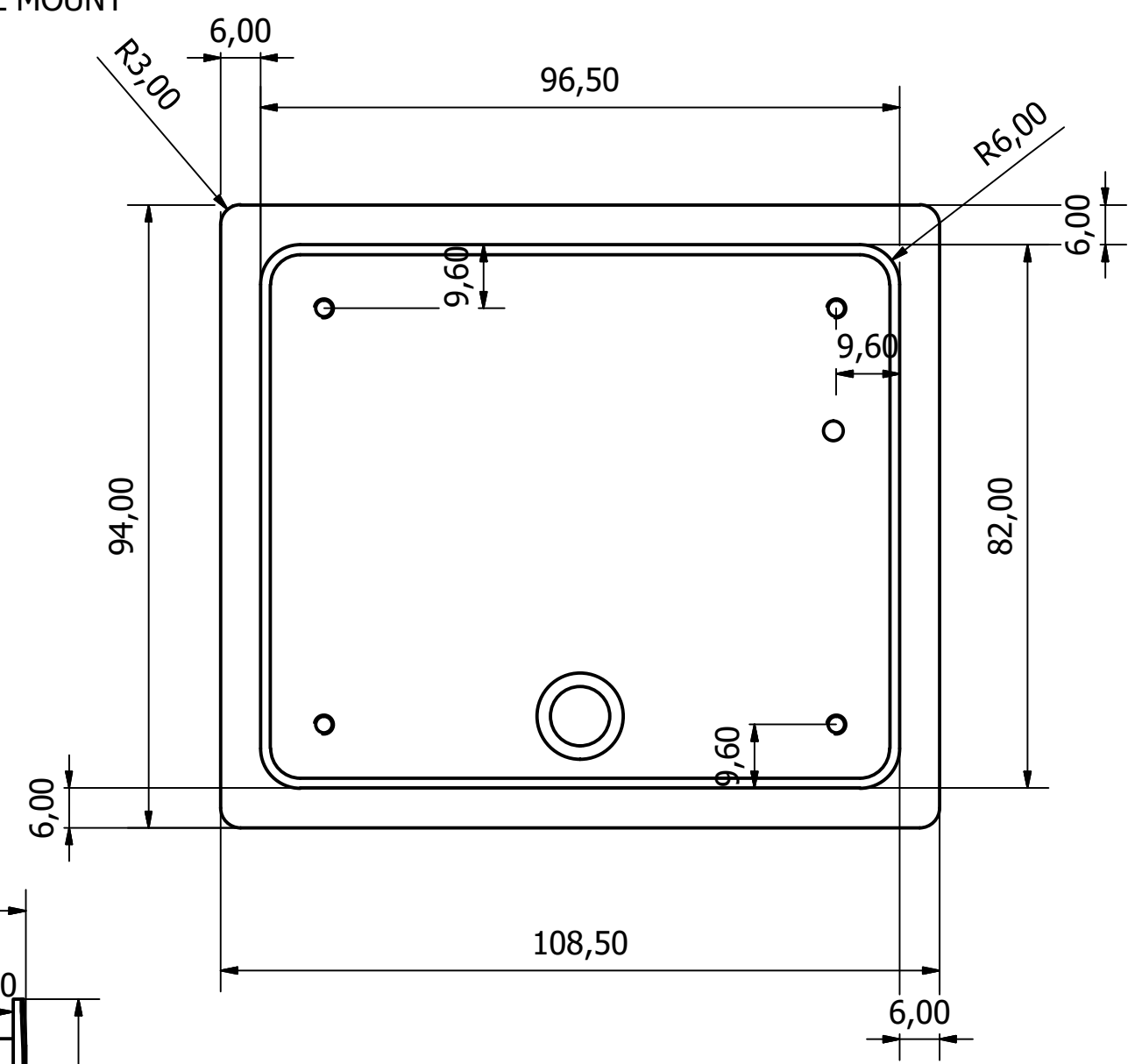
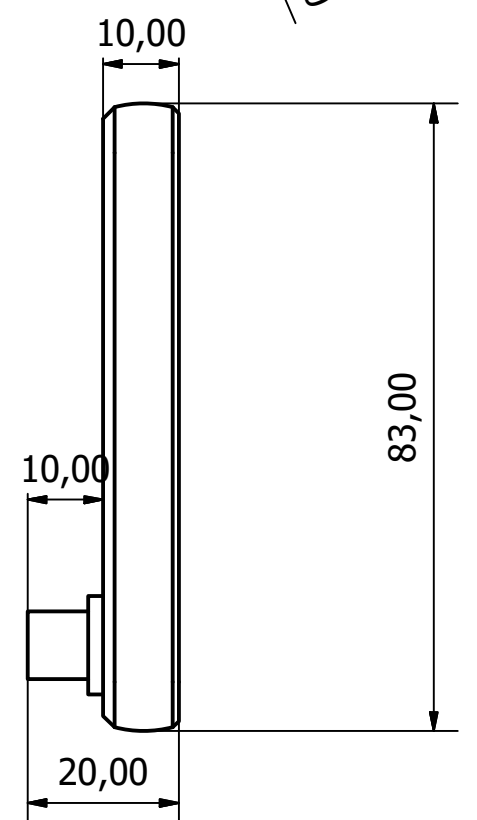
Unit: mm

**SIMARINE PICO
BEZEL**

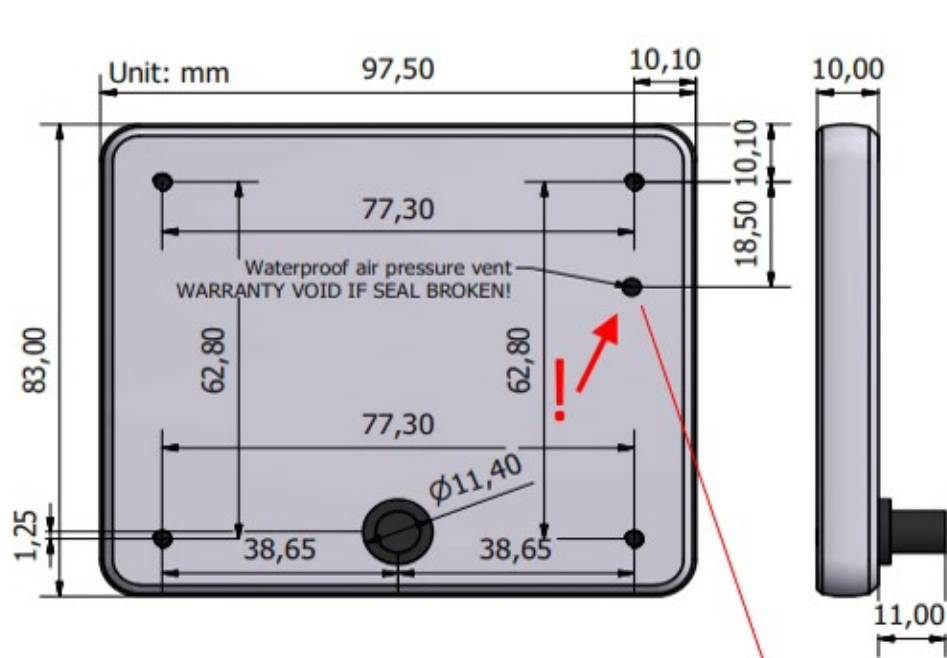
**SIMARINE PICO PANEL
PANEL MOUNT**



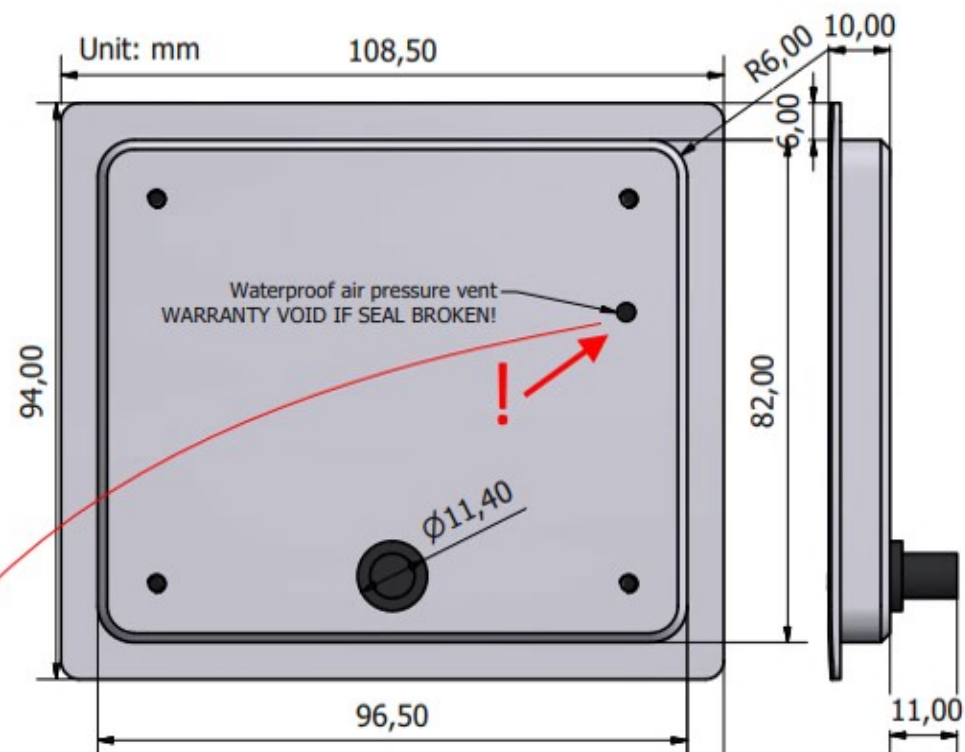
Connector opening



Designed by Jaro	Checked by	Approved by	Date	Date 6.10.2016
---------------------	------------	-------------	------	-------------------



PICO STANDALONE



PICO PANEL-MOUNT

*keep free for
barograph !*

