

## RealVision™ 3D transducer cable: attaching the locking collar

### Attaching the connector locking collar

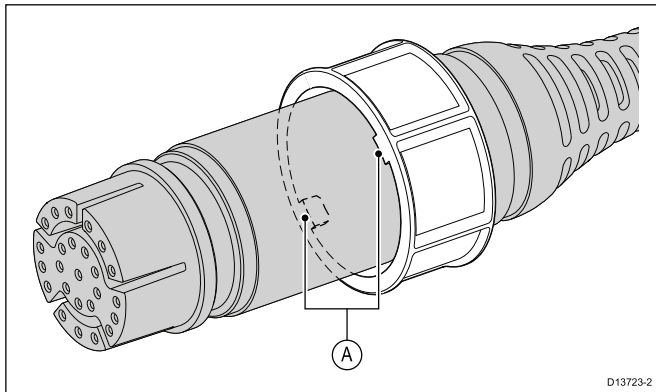
The supplied cable is provided with a separate locking collar assembly, ensuring that the cable connection is secure.

This procedure describes how to attach the locking collar to the cable connector. The locking collar parts are supplied in a separate bag, in the package with your product.

**Important:** Ensure that you route the cable all the way to its destination **before** attaching the locking collar.

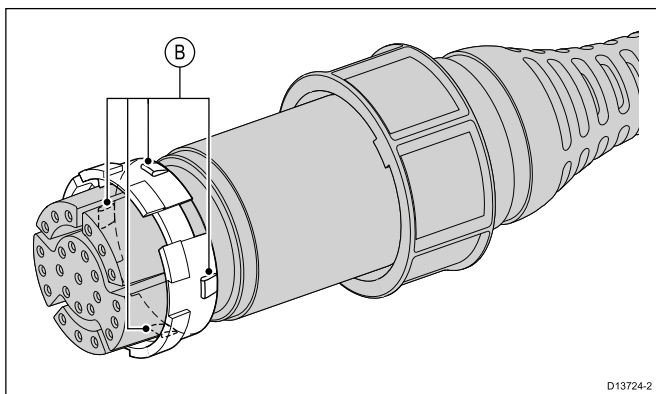
1. Slide the locking collar over the end of the connector, then push it towards the cable-end of the connector.

**Important:** Ensure that the lugs on the locking collar (labelled 'A' in the illustration), are closest to the plug-end of the connector.



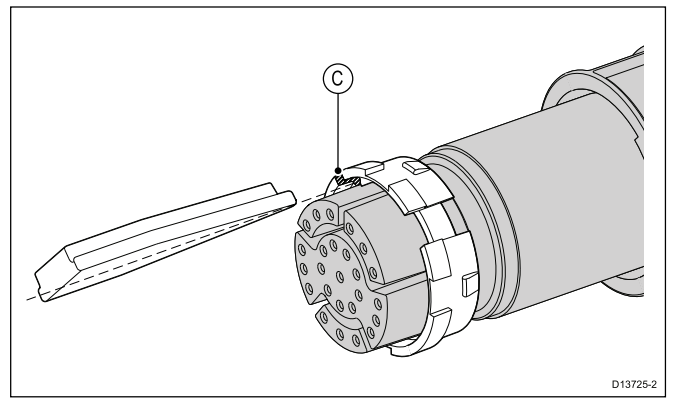
2. Slide the split-ring over the end of the connector, then push it towards the cable-end of the connector.

**Important:** Ensure that the tabs on the split-ring (labelled 'B' in the illustration), are closest to the cable-end of the connector.



The split-ring slides easily for approximately 1 cm onto the connector, before butting up against the connector moulding.

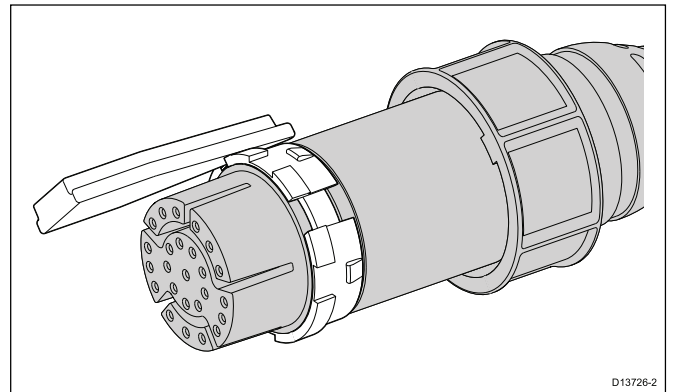
3. Carefully insert the pointed end of the supplied tool into the split-ring's gap (labelled 'C' in the illustration).



The tool widens the gap in the split ring, enabling the split ring to be pushed further back onto the connector in the following step.

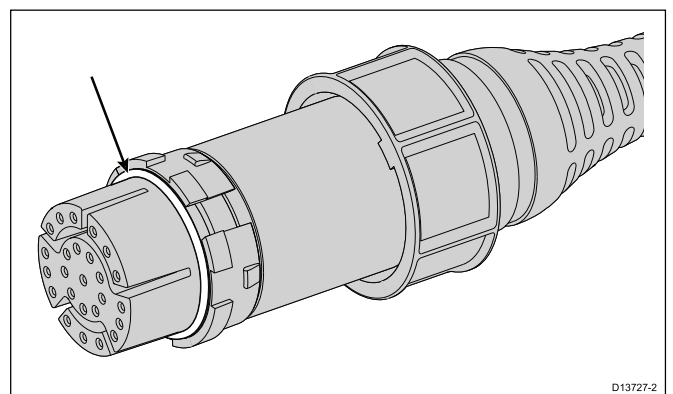
**Important:** Always use the supplied tool when attaching the split ring. The split ring may become overstretched and break if you try to attach it without using the tool.

4. Use the tool to gently lever the split ring over the moulding on the connector until it snaps into position approximately 0.5 cm further back towards the cable-end of the connector.

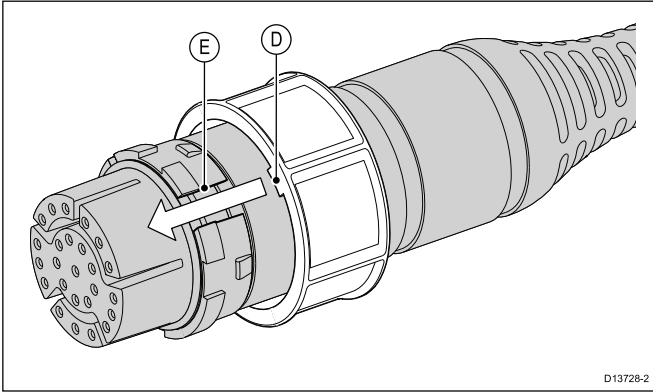


You can now remove the tool. The split-ring stays in position on the connector, but rotates freely.

5. Slide the O-ring (arrowed) over the end of the connector, and ensure that it is seated squarely against the connector moulding, adjacent to the split-ring.

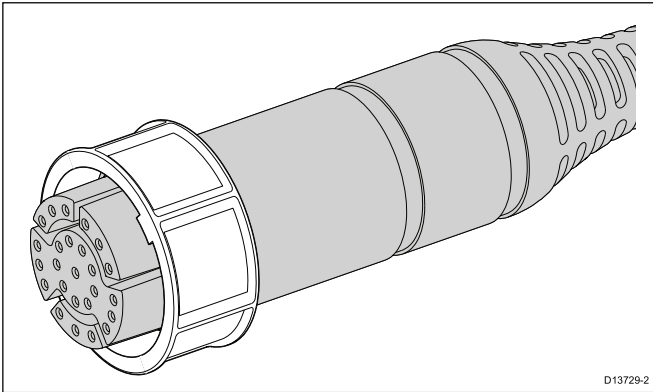


- Slide the locking collar towards the plug-end of the connector, rotating the collar as necessary to ensure that the lugs on the locking collar (labelled 'D' in the illustration) pass through the channels (labelled 'E') in the split-ring.



*The locking collar slides easily towards the plug-end of the connector, before butting up against the split-ring moulding.*

- Grasp the body of the connector with one hand, then with the other hand, pull the locking collar firmly towards the plug-end of the connector.



*As you pull the locking collar, it clicks into place over the split-ring. The locking collar stays in position on the connector, but rotates freely.*