

ENGEL

REFRIGERATOR

MODELS	INPUT
SB70F	DC12/24V
SD90F-D	

INSTALLATION AND OWNER'S MANUAL

SAWAFUJI ELECTRIC CO., LTD.

3, Nittahayakawa-cho, Ota City

Gunma 370-0344, JAPAN

Tel:+81 276 56 7139

www.sawafuji.co.jp/english

(Cat.No. 5490 396 0010)

Printed in Thailand

Model No. _____

Serial No. _____

Safety Awareness

Read this manual carefully and understand the contents before you install the refrigerator.

Be aware of possible safety hazards when you see the safety alert symbol on the refrigerator and in this manual. A signal word follows the safety alert symbol and identifies the danger of the hazard. Carefully read the descriptions of these signal words to fully know their meanings. They are for your safety.



WARNING: This signal word means a hazard, which if ignored, can cause dangerous personal injury, death, or much property damage.



CAUTION: This signal word means a hazard, which if ignored, can cause small personal injury or much property damage.

Model No. and Serial No.

The model and serial number are on a label which is inside the refrigerator on the left side and on the cover of this manual.

Operation

This refrigerator is made for refrigerating purposes and operates on 12/24 volts DC power supplies when installed as written in this manual.



CAUTION: Never store combustible materials near the refrigerator. Storing combustible materials near the refrigerator creates a safety hazard and also decreases the ventilation of the cooling system which decreases the refrigerator performance.

Do not touch the evaporator or other metal parts inside the refrigerator cabinet with wet hands because they can freeze to the refrigerator.

Always disconnect all power sources from the refrigerator when doing routine maintenance. Have service work done only by a qualified service technician.

The refrigerator temperature is controlled by a thermostat, located on the panel above the door. A green power light, located on the panel comes on when the refrigerator is "ON". Number "1" is the warmest and number "5" is the coldest thermostat position. For efficient operation, change the thermostat according to the types of food stored and the ambient temperature.

If you are not going to use the refrigerator for an extended period of time, put the thermostat to the "OFF".

Cleaning and Defrosting

Defrosting

It is normal for frost to collect on the freezer plate inside the refrigerator. Excess frost decreases the cooling performance of the refrigerator. Defrost the refrigerator as necessary.



CAUTION: Do not use sharp objects, a hair dryer, a heat gun, etc. to defrost the refrigerator. Damage to the interior of the refrigerator can occur.

- Turn the thermostat to "OFF".
- Remove **all** food from the refrigerator.

NOTE: Defrosting the refrigerator makes excess water inside the refrigerator.

- Put dry towels (etc.) inside the refrigerator to absorb the excess water.
- Put trays of hot water in the freezer until the frost is melted.
- Empty the drip tray.
- Remove the wet towels (etc.) and dry the inside of the refrigerator
- Turn the thermostat to the desired setting.
- Put the drip tray and **all** food in the refrigerator.

Cleaning

A good time to clean the refrigerator is just after you defrost it.

Clean the inside of the refrigerator as often as necessary to avoid food odors:

- Remove **all** food from the refrigerator.

NOTE: Do not use abrasive cleaners, chemicals, or scouring pads because they can damage the inside of the refrigerator.

- Wash the inside of the refrigerator and the door gasket with a solution of liquid dish detergent and warm water.
- Rinse with clean water and dry.
- After cleaning, put a thin coating of petroleum jelly on the hinge side of the gasket to keep it soft and to prevent it from rolling.

Battery Maintenance

Over cooling drains your battery

- When the ambient temperature is between 70° and 90° F, keep the thermostat at the “3” position to avoid an excessive drain of the battery. When making ice, or storing frozen foods, turn the thermostat to the coldest setting “5”.

Maintain the battery

If the charge of your battery is not sufficient, the cooling performance of your refrigerator decreases.



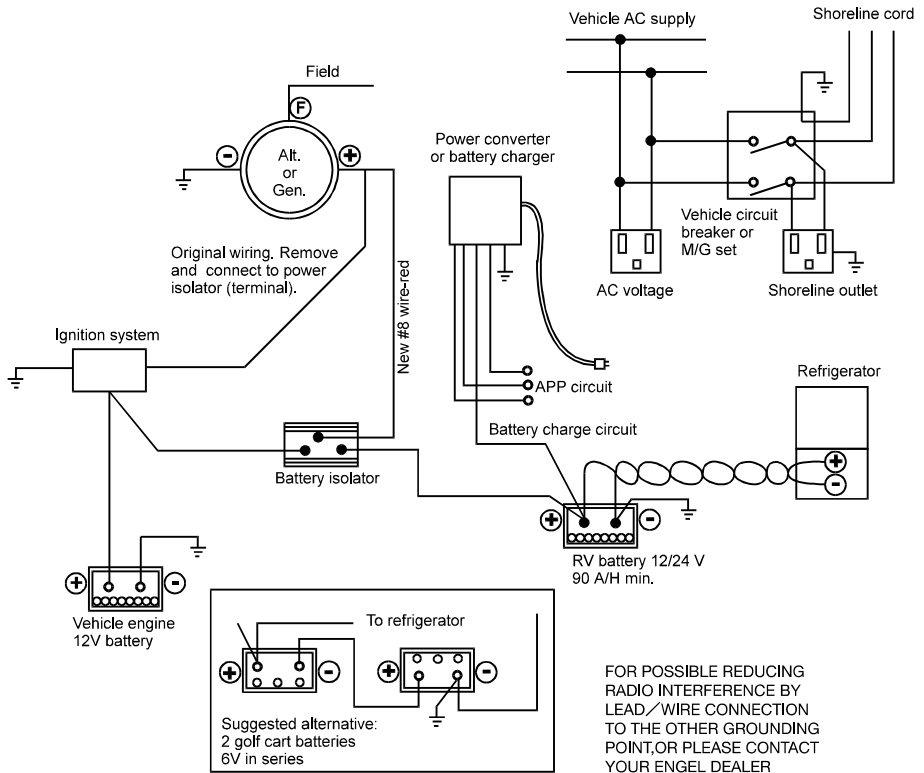
CAUTION: Only use a “quick charger” on the battery if the thermostat is turned to “OFF”.

Check the Battery charge Level

A fully charged battery will have a specific gravity reading of between 1.260 and 1.280. The battery voltage is best indicated when the refrigerator is “ON” and the battery charging system is “OFF”. Charge the battery when the specific gravity reading is less than 1.200.

For your reference

The wiring diagram shown below is recommended for dual battery hookup (See Art01516).



Art01516

Installation (SB70F)

The refrigerator should be located and secured on a solid surface in the vehicle.

Before installing the refrigerator into the opening, make sure the DC supply is properly connected. In many cases, the DC supply can be connected from outside the vehicle by means of the baggage or access door.

Measure the opening to determine if you have proper clearance for installation. Additional insulation space around the refrigerator is not necessary.

Be sure the refrigerator is not in direct sunlight or near a gas stove, a heater, or other heat-generating appliances. Avoid installing your refrigerator close to warm water lines or warm air ducts.

Your refrigerator was thoroughly cleaned before shipment from the factory. It is advisable, however, to clean the interior once more before using. Wipe the interior with a cloth and warm water. Then wipe with a dry cloth.

Ventilation (SB70F)

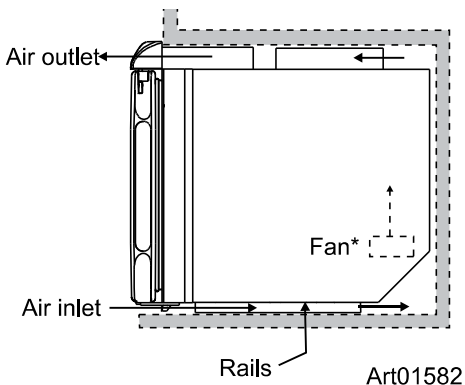
Sufficient ventilation (airflow) over the rear mounted condenser of the refrigerator is necessary for the refrigerator to operate correctly (See Art01582).

* NOTE: The fan will operate only when the ambient temperature is higher than approximately 95° F.



CAUTION: Do not remove the bottom rails from the refrigerator cabinet. The rails supply space under the refrigerator that is necessary for correct ventilation.

If you do not make sure that the ventilation is correct, a shortened refrigerator life expectancy, poor refrigeration, continuous operation, accelerated battery discharge and a void warranty will result.

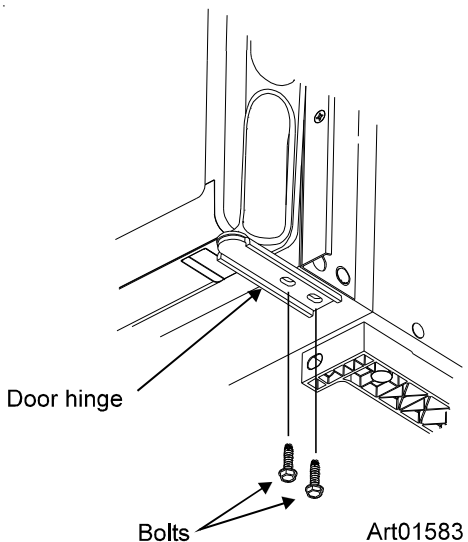


Installation Options (SB70F)

Install a decorative door panel

NOTE: The decorative door panel must be 4 mm or less in thickness.

1. Remove the door from the refrigerator by removing the two (2) bolts that attach the door hinge to the bottom of the refrigerator (See Art01583).



2. Remove the panel retainer by removing the two (2) screws that attach the panel retainer (See Art01511).

3. Gently pull the door panel out of the door slot.

4. Push a new door panel into the door slot.



CAUTION: Do not over-tighten the screws and bolts.

5. Put the panel retainer in the original location and attach with two (2) screws.

6. Put the door in the original location and tighten the two (2) bolts.

Reverse the door swing:

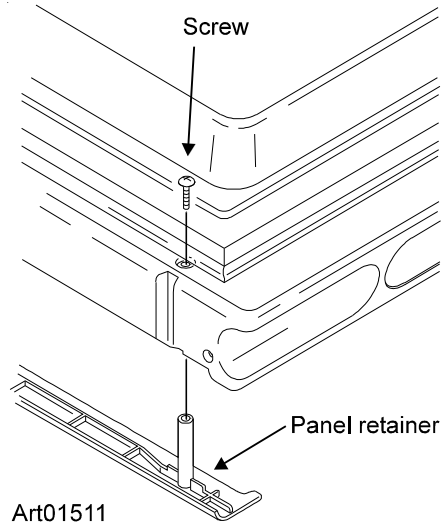
1. Remove the door from the refrigerator by removing the two (2) bolts that attach the door hinge to the bottom of the refrigerator

2. Remove the two (2) bolts that attach the upper hinge.

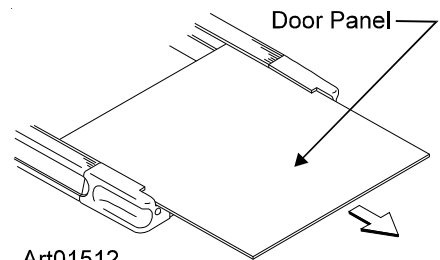
3. Remove the bolt that attaches the door latch plate to the top of the refrigerator (See Art01513).

4. Remove the upper hinge and the door latch plate from the refrigerator.

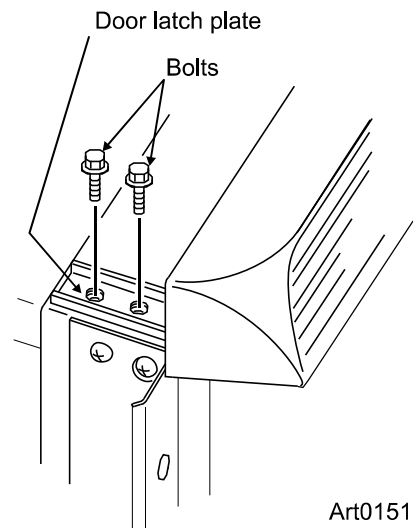
5. Attach the upper hinge and the door latch plate to the opposite sides of the refrigerator.



Art01511



Art01512



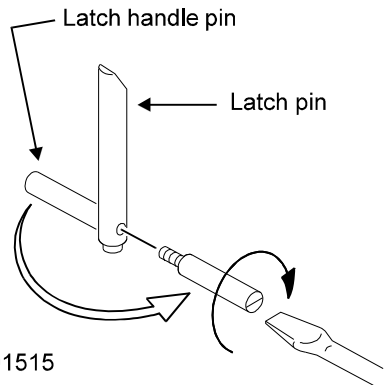
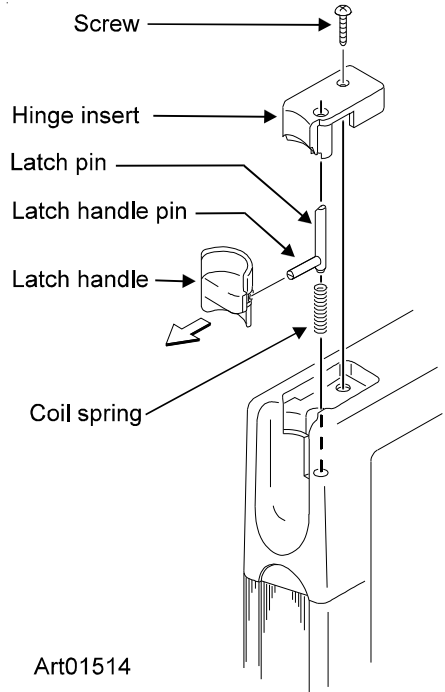
Art01513

6. Move the latch to the opposite side of the door (See Art01514):

- Remove the screw that attaches the hinge insert to the door.
- Remove the hinge insert, the latch handle, and the coil spring from the door.
- Pull the latch handle pin out of the recess in the latch handle.
- Move the latch handle pin to opposite side of the latch pin (See Art01515).
- Turn the latch handle upside down and push the latch handle pin into the recess of the latch handle.
 - Make sure the angled top faces the door latch plate.
- Assemble the coil spring, the latch handle, and the hinge insert into the opposite side of the door.
- Install and tighten the screw that attaches the hinge insert to the door.

7. Put the door onto the refrigerator

8. Install and tighten the two (2) screws that attach the door hinge to the bottom of the refrigerator.

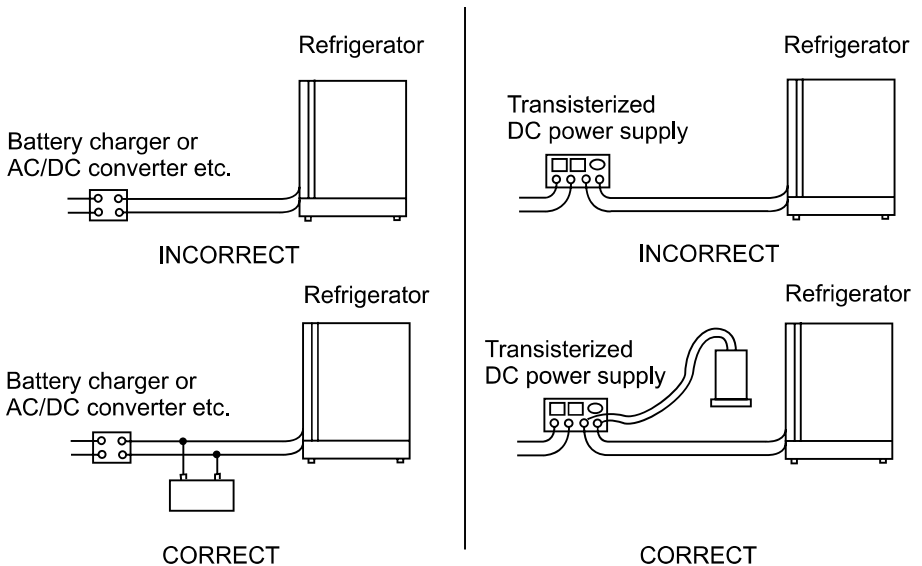


Connect 12/24 volts DC supplies

This refrigerator operates on 12/24 volts DC current from a battery.

CAUTION: Only connect the refrigerator directly to the battery. Because they often generate high voltage pulses and cause transistor defects in the inverter, no other switches, lead wires, or electrical equipment should share the wiring between the refrigerator and battery. Do not use an extension cord.

When using either a converter or a battery charger, make sure that they are connected in parallel between the battery and the refrigerator. Do not use a converter or battery charger to supply the DC power directly to the refrigerator because these two devices do not supply filtered DC power (See Art01521).



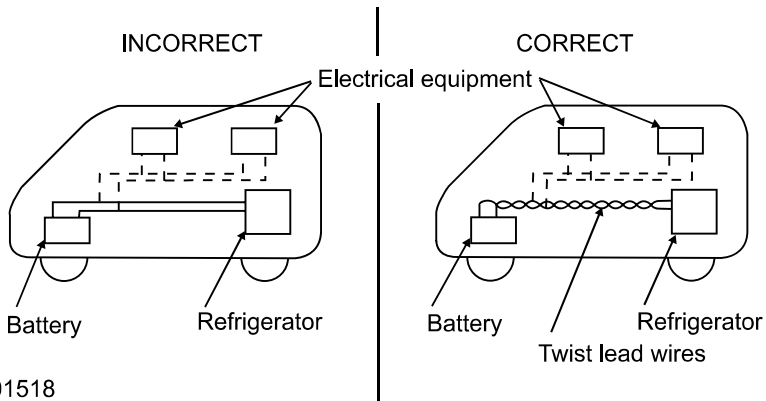
Art01521

As the distance from the vehicle battery to the refrigerator increases, the correct AWG wire size also increases. If the wire size is too small for the distance, a voltage drop occurs. The voltage drop decreases the cooling performance of the refrigerator.

1. We recommends that you use the following wire and fuse sizes:

- Measure the distance from the vehicle battery to the refrigerator:
 - If the distance is less than 12 feet, use 16 AWG wire and a 10 Amp fuse.
 - If the distance is between 12 and 20 feet, use 14 AWG wire and a 10 Amp fuse.
 - If the distance is more than 20 feet, use 12 AWG wire and a 10 Amp fuse.

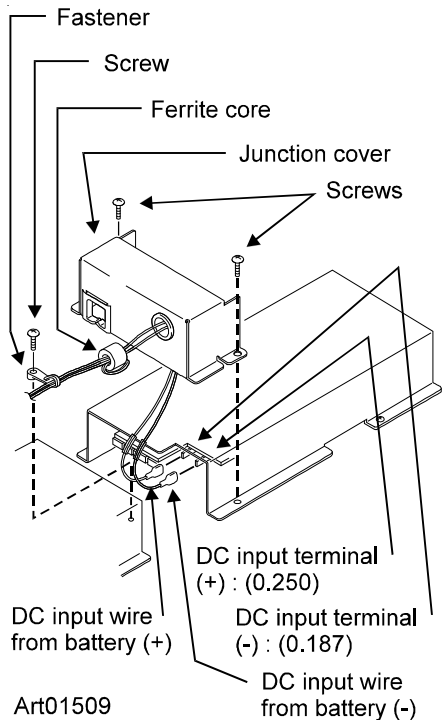
- Twist the lead wires to reduce the radio interference and induction of a high voltage surge from the outside (See Art01518).



Art01518

2. Connect the DC power supply (See Art01509):

- Remove the two (2) screws that attach the junction cover.
- Remove the junction cover.
- Put each of the two (2) wires from the battery through the ferrite core.
- Make a loop of the two (2) around and back through the ferrite core.
- Put the two (2) wires through the bushing of the junction cover.
- Push the DC input wires onto the DC input terminals.
 - Refer to the positive (+) and negative (-) markings to make sure that the connections are correct.
- Attach the junction cover with the two (2) screws.
- Put the two (2) wires through the wire strain relief.
- Attach the wire strain relief to the refrigerator cabinet with the self-tapping screw.



Art01509

Installation (SD90F-D)

The refrigerator should be located and secured on a solid surface in the vehicle and boats.

Before installing the refrigerator into the opening, make sure the DC supply is properly connected.

Measure the opening to determine if you have proper clearance for installation. Additional insulation space around the refrigerator is not necessary.

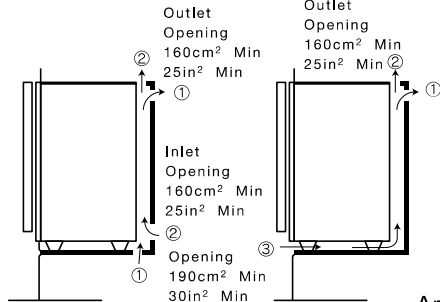
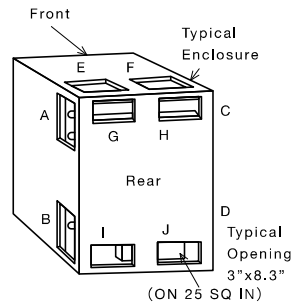
Be sure the refrigerator is not in direct sunlight or near a gas stove, a heater, or other heat-generating appliances. Avoid installing your refrigerator close to warm water lines or warm air ducts.

Your refrigerator was thoroughly cleaned before shipment from the factory. It is advisable, however, to clean the interior once more before using. Wipe the interior with a cloth and warm water. Then wipe with a dry cloth.

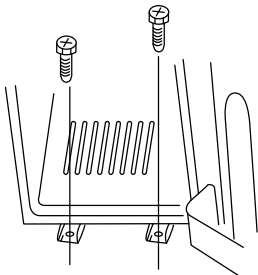
Ventilation (SD90F-D)

Sufficient ventilation (airflow) over the rear mounted condenser of the refrigerator is necessary for the refrigerator to operate correctly. Use any of the following combinations of vent openings: A-D, A-I, A-J, B-C, B-F, B-H, C-D, C-I, C-J, D-F, D-H, F-I, F-J, G-I, G-J, H-I, H-J (See Art01129).

For the minimum required ventilation, each individual vent opening should be no less than 50 square inches. However, the vent openings should be larger, to allow as much ventilation as possible. The more air that circulates over the refrigerator condenser, the more efficiently the refrigerator will operate.



Art01129



CAUTION: Do not remove the bottom rails from the refrigerator cabinet. The rails supply space under the refrigerator that is necessary for correct ventilation.

If you do not make sure that the ventilation is correct, a shortened refrigerator life expectancy, poor refrigeration, continuous operation, accelerated battery discharge and a void warranty will result.

Installation Options(SD90F)

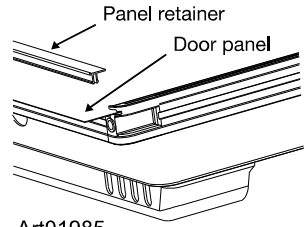
Install a decorative door panel

NOTE: The decorative door panel must be 4 mm or less in thickness.

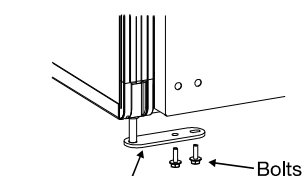
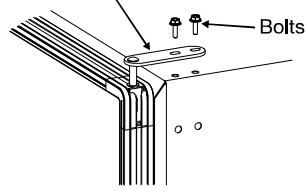
1. Remove the door from the refrigerator by removing the two (2) bolts that attach the door hinge to the top of the refrigerator (See Art01986).
2. Lift the door off the bottom hinge.
3. Remove the panel retainer by prying the retainer out of the slot (See Art01985).
4. Gently pull the door panel out of the door.
5. Push a new door panel into the door slot.
6. Put the panel retainer in the original location and press the retainer back into the slot.
7. Put the door in the original location and tighten the two (2) bolts.

Reverse the door swing:

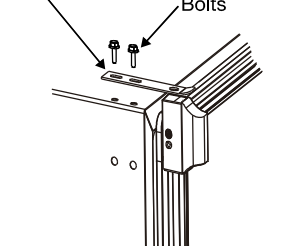
1. Remove the door from the refrigerator by removing the two (2) bolts that attach the door hinge to the bottom of the refrigerator (See Art01986).
2. Remove the two (2) bolts that attach the upper hinge.
3. Remove the bolt that attaches the door latch plate to the top of the refrigerator (See Art01987).
4. Remove the upper hinge and the door latch plate from the refrigerator.
5. Attach the upper hinge and the door latch plate to the opposite sides of the refrigerator.
6. Move the latch to the opposite side of the door (See Art01988):
 - Remove the screw that attaches the latch handle and the latch pin.
 - Remove the latch handle pin and the coil spring from the door.
 - Move the set screw to opposite side of the latch pin.
 - Assemble the coil spring and the latch pin into the opposite side of the door.
 - Attach the handle to the latch pin.
 - Make sure that the angled end of the latch pin is up.
7. Put the door onto the refrigerator and make sure that the gasket seals correctly
8. Install and tighten the two (2) screws that attach the door hinge to the bottom of the refrigerator.



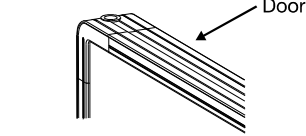
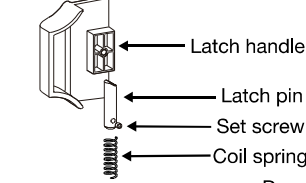
Art01985
Door hinge



Art01986
Door latch plate



Screw



ENGEL

Kühlschrank

MODELL	INPUT
SB70F	DC12/24V
SD90F-D	

GEBRAUCHSANLEITUNG

SAWAFUJI ELECTRIC CO., LTD.

3, Nittahayakawa-cho, Ota City
Gunma 370-0344, JAPAN

Tel:+81 276 56 7139

www.sawafuji.co.jp/english

(Cat.No. 5490 396 0010)

Gedruckt in Thailand

Modell-Nr : _____

Serien-Nr. : _____

Sicherheitshinweise

Lesen Sie diese Bedienungsanleitung sorgfältig durch und machen Sie sich mit dem Inhalt vertraut, bevor Sie den Kühlschrank einbauen.

Achten Sie auf mögliche Sicherheitsrisiken, wenn Sie das Warnsymbol am Kühlschrank und in diesem Handbuch sehen. Ein Signalwort nach dem Warnsymbol identifiziert den Gefahregrad. Lesen Sie bitte die Beschreibungen dieser Signalwörter sorgfältig, um ihre vollständige Bedeutung zu kennen. Sie dienen Ihrer Sicherheit.



WARNUNG: Dieses Signalwort weist auf eine Gefahr hin, die bei Nichtbeachtung zu gefährlichen Verletzungen, zum Tod oder zu großen Sachschäden führen kann.



VORSICHT: Dieses Signalwort weist auf eine Gefahr hin, die zu kleineren Verletzungen oder großen Sachschäden führen kann, wenn sie ignoriert wird.

Modell-Nr. und Serien-Nr.

Die Modell- und die Seriennummer sind auf einem Aufkleber, der sich im Inneren des Kühlschranks auf der linken Seite befindet, sowie auf dem Deckblatt des vorliegenden Handbuchs aufgeführt.

Betrieb

Dieser Kühlschrank ist für Kühlzwecke gefertigt und läuft mit und 12/24 V Gleichstrom, wenn Sie das Gerät wie in diesem Handbuch beschrieben installieren.



VORSICHT: Lagern Sie niemals brennbare Materialien in der Nähe des Kühlschranks. Das Lagern von brennbaren Materialien in der Nähe des Kühlschranks erzeugt ein Sicherheitsrisiko und verringert zudem die Belüftung des Kühlsystems, was zu Leistungsabfall des Kühlschranks führt.

Berühren Sie den Verdampfer oder andere Metallteile im Kühlschrankgehäuse nicht mit nassen Händen, da sie am Kühlschrank festfrieren können.

Trennen Sie vor Wartungsarbeiten immer alle Stromquellen vom Kühlschrank. Wartungsarbeiten dürfen nur von einem qualifizierten Servicetechniker durchgeführt werden.

Die Kühlschranktemperatur wird über ein Thermostat kontrolliert, das sich auf dem Bedienfeld oberhalb der Tür befindet. Eine grüne Lampe, die sich auf dem Bedienfeld befindet, leuchtet auf, wenn der Kühlschrank "AN" ist. Nummer "1" ist die wärmste und Nummer "5" die kälteste Position des Thermostats. Passen Sie das Thermostat für einen effizienten Betrieb je nach Art der Lebensmittel, die aufbewahrt werden und der Umgebungstemperatur an.

Wenn Sie den Kühlschrank für einen längeren Zeitraum nicht verwenden, stellen Sie das Thermostat auf "AUS".

Reinigung und Abtauen

Abtauen

Es ist normal, dass sich Eis auf der Kühlplatte im Kühlschrank sammelt. Übermäßiges Eis verringert die Kühlleistung des Kühlschranks. Tauen Sie den Kühlschrank nach Bedarf ab.



VORSICHT: Verwenden Sie zum Abtauen des Kühlschranks keine scharfen Gegenstände, Haartrockner, Heißluftgebläse usw. Es können Schäden an der Innenseite des Kühlschranks auftreten.

- Drehen Sie das Thermostat auf "AUS".
- Entfernen Sie alle Lebensmittel aus dem Kühlschrank.

HINWEIS: Beim Abtauen des Kühlschranks staut sich Wasser im Inneren des Kühlschranks.

- Legen Sie trockene Handtücher (usw.) in den Kühlschrank, um das überschüssige Wasser aufzusaugen.
- Setzen Sie Schalen mit warmem Wasser in das Gerät, bis das Eis geschmolzen ist.
- Leeren Sie die Abtropfschale.
- Entfernen Sie die nassen Tücher (usw.) und trocknen Sie das Innere des Kühlschranks.
- Drehen Sie das Thermostat auf die gewünschte Einstellung.
- Legen Sie die Abtropfschale und alle Lebensmittel in den Kühlschrank.

Reinigung

Ein guter Zeitpunkt für die Reinigung des Kühlschranks ist unmittelbar nach dem Abtauen.

Reinigen Sie das Innere des Kühlschranks so oft wie nötig, um Geruchsbildung zu vermeiden:

- Entfernen Sie alle Lebensmittel aus dem Kühlschrank.

HINWEIS: Verwenden Sie keine Scheuermittel, keine Chemikalien oder Scheuerschwämme, da sie das Innere des Kühlschranks beschädigen können.

- Waschen Sie das Innere des Kühlschranks und die Türdichtung mit einer Lösung aus Flüssigspülmittel und warmem Wasser.
- Mit klarem Wasser nachspülen und trocknen.
- Tragen Sie nach der Reinigung eine dünne Schicht Vaseline auf der Scharnierseite der Dichtung auf, um sie geschmeidig zu halten und zu verhindern, dass sie sich rollt.

Batteriewartung

Übermäßiges Kühlen entleert den Akku

- Stellen Sie das Thermostat bei einer Umgebungstemperatur zwischen 20 °C und 30 °C auf die Position "3", um eine übermäßige Entleerung des Akkus zu verhindern. Für die Herstellung von Eis oder um gefrorene Lebensmittel zu lagern, stellen Sie das Thermostat auf die kälteste Position "5".

Warten Sie die Batterie

Wenn der Ladezustand der Batterie nicht ausreicht, verringert sich die Kühlleistung Ihres Kühlschranks.



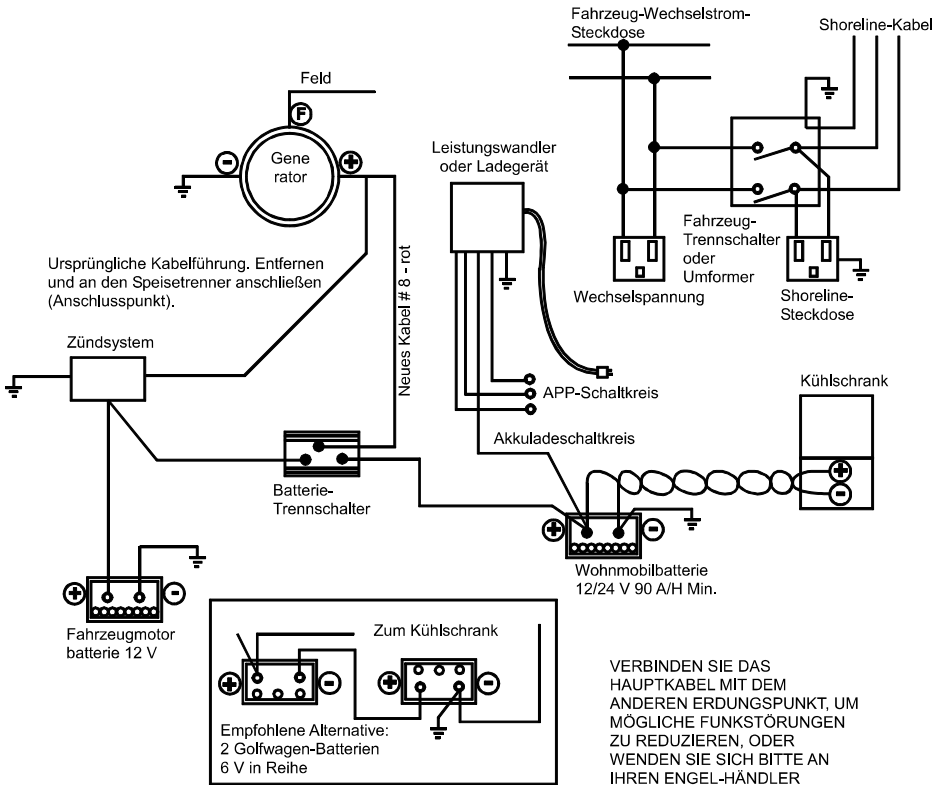
VORSICHT: Ein „Schnellaufladegerät“ für die Batterie darf nur verwendet werden, wenn das Thermostat auf „AUS“ steht.

Überprüfen Sie den Ladezustand der Batterie

Ein vollständig aufgeladener Akku hat eine spezifische Dichte zwischen 1,260 und 1,280. Die Batteriespannung wird am besten angezeigt, wenn der Kühlschrank auf „AN“ steht und das Akkuladesystem auf „AUS“. Laden Sie den Akku, wenn die spezifische Dichte geringer ist als 1,200.

Zu Ihrer Information

Der unten gezeigte Schaltplan wird für eine duale Batterieschaltung empfohlen (siehe Art01516).



Art01516

Installation (SB70F)

Der Kühlschrank sollte auf einer festen Oberfläche im Fahrzeug stehen und befestigt sein.

Vergewissern Sie sich vor dem Einbau des Kühlschranks in die Öffnung, dass die Gleichstromversorgung ordnungsgemäß angeschlossen ist. In vielen Fällen kann die Gleichstromversorgung von außerhalb des Fahrzeugs durch die Gepäck- oder Einsteigeöffnung angeschlossen werden.

Messen Sie die Öffnung, um festzustellen, ob ausreichend Arbeitsraum zur Installation vorhanden ist.

Zusätzlicher Isolierraum um den Kühlschrank herum ist nicht erforderlich.

Stellen Sie sicher, dass der Kühlschrank nicht in direktem Sonnenlicht oder neben einer Heizung, einem Gasofen oder anderen wärmeerzeugenden Geräten steht. Vermeiden Sie die Aufstellung Ihres Kühlschranks in der Nähe von Warmwasserrohren oder warmen Lüftungsrohren.

Ihr Kühlschrank wurde vor der Auslieferung ab Werk gründlich gereinigt.

Es ist jedoch ratsam, den Innenraum vor Ingebrauchnahme noch einmal zu reinigen. Wischen Sie den Innenraum mit einem Tuch und warmem Wasser ab. Wischen Sie anschließend mit einem trockenen Tuch nach.

Belüftung (SB70F)

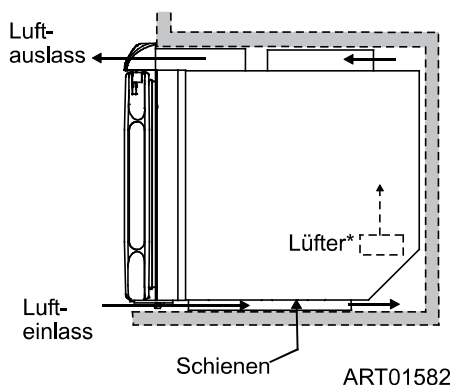
Ausreichende Belüftung (Luftstrom) über den an der Rückseite des Kühlschranks montierten Kondensator ist notwendig, damit der Kühlschrank richtig arbeitet (siehe Art01582).

*HINWEIS: Das Gebläse arbeitet nur, wenn die Umgebungstemperatur über ca. 35 °C liegt.



VORSICHT: Entfernen Sie nicht die unteren Führungsschienen aus dem Kühlschrankgehäuse. Die Schienen sorgen für Raum unter dem Kühlschrank, der für eine ordnungsgemäße Belüftung notwendig ist.

Wenn Sie nicht sicherstellen, dass die Ventilation korrekt ist, hat dies eine verkürzte Lebensdauer des Kühlschranks, schlechte Kühlleistung, Dauerbetrieb, eine beschleunigte Entladung der Batterie und die Hinfälligkeit der Garantie zur Folge.

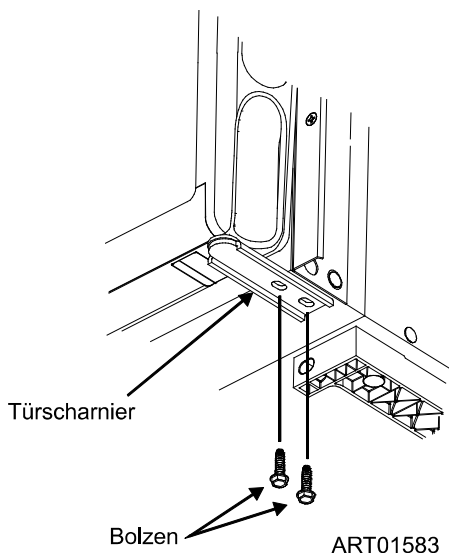


Einbauoptionen (SB70F)

Einbau einer dekorativen Türverkleidung

HINWEIS: Die dekorative Türverkleidung muss eine Dicke von 4 mm oder weniger haben.

1. Entfernen Sie die Tür vom Kühlschrank, indem Sie die zwei (2) Bolzen entfernen, mit denen das Türscharnier an der Unterseite des Kühlschranks befestigt ist (siehe Art01583).



2. Entfernen Sie die Halterung der Verkleidung, indem Sie die zwei (2) Schrauben lösen, mit denen sie fixiert ist (siehe Art01511).
3. Ziehen Sie die Türverkleidung vorsichtig aus der Tür (Art01512).
4. Schieben Sie eine neue Türverkleidung in den Türeinschub.

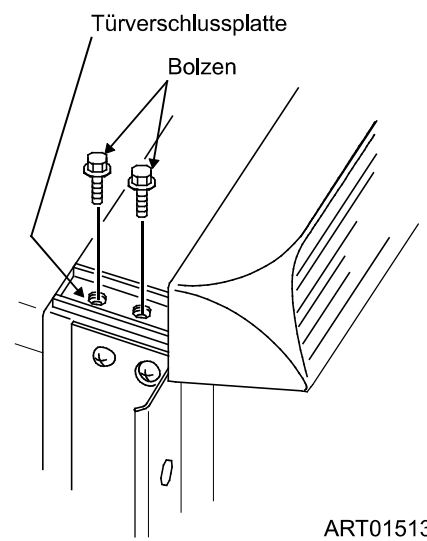
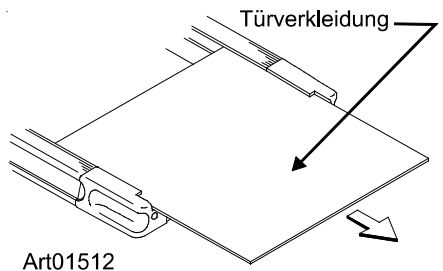
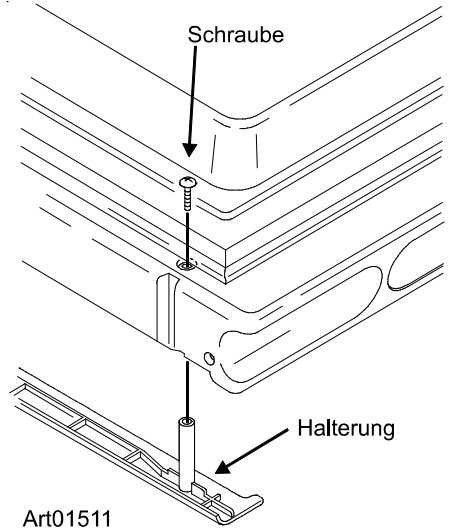


VORSICHT: Ziehen Sie die Schrauben und Bolzen nicht übermäßig fest.

5. Bringen Sie die Halterung an der ursprünglichen Stelle an und befestigen Sie sie mit zwei (2) Schrauben.
6. Setzen Sie die Tür in die ursprüngliche Position ein und ziehen Sie die zwei (2) Bolzen fest.

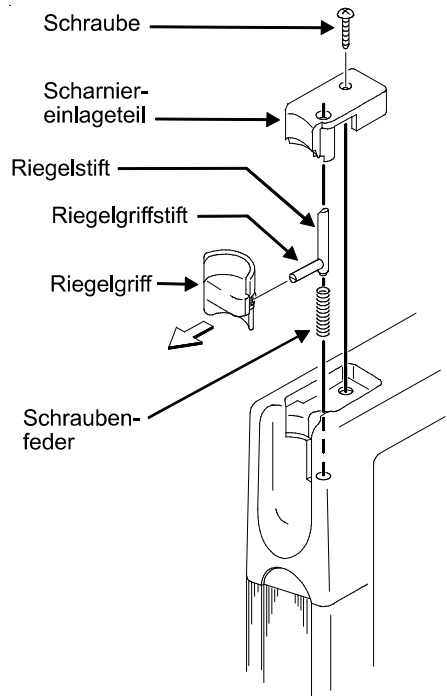
Den Türanschlag umkehren:

1. Entfernen Sie die Tür vom Kühlschrank, indem Sie die zwei (2) Bolzen entfernen, mit denen das Türscharnier an der Unterseite des Kühlschranks befestigt ist
2. Entfernen Sie die zwei (2) Bolzen, mit denen das obere Scharnier befestigt ist.
3. Entfernen Sie den Bolzen, mit dem die Türverschlussplatte an der Oberseite des Kühlschranks befestigt ist (siehe Art01513).
4. Entfernen Sie das obere Scharnier und die Verschlussplatte aus dem Kühlschrank.
5. Bringen Sie das obere Scharnier und die Verschlussplatte auf der gegenüberliegenden Seite des Kühlschranks an.



6. Bewegen Sie den Verschluss auf die entgegengesetzte Seite der Tür (siehe Art01514):

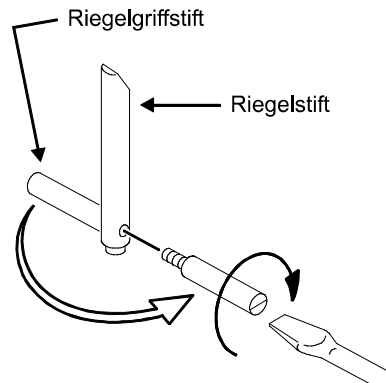
- Entfernen Sie die Schraube, mit der der Scharniereinsatz in der Tür befestigt ist.
- Entfernen Sie den Scharniereinsatz, den Riegelgriff und die Schraubenfeder von der Tür.
- Ziehen Sie den Riegelgriffstift aus der Aussparung im Riegelgriff.
- Bewegen Sie den Riegelgriffstift zur gegenüberliegende Seite des Riegelstiftes (Siehe Art01515).
- Drehen Sie den Riegelgriff auf den Kopf und schieben Sie den Riegelgriffstift fest in die Aussparung des Riegelgriffs.
 - Stellen Sie sicher, dass das angewinkelte obere Ende zur Türverschlussplatte zeigt.
- Bauen Sie die Spiralfeder, den Riegel und den Scharniereinsatz in die gegenüberliegende Seite der Tür ein.
- Montieren Sie die Schraube, die den Scharniereinsatz in der Tür befestigt, und ziehen Sie sie fest.



Art01514

7. Setzen Sie die Gerätetür in den Kühlschrank ein

8. Montieren Sie die zwei (2) Schrauben, mit denen das Türscharnier an der Unterseite des Kühlschranks befestigt wird, und ziehen Sie sie fest.



Art01515

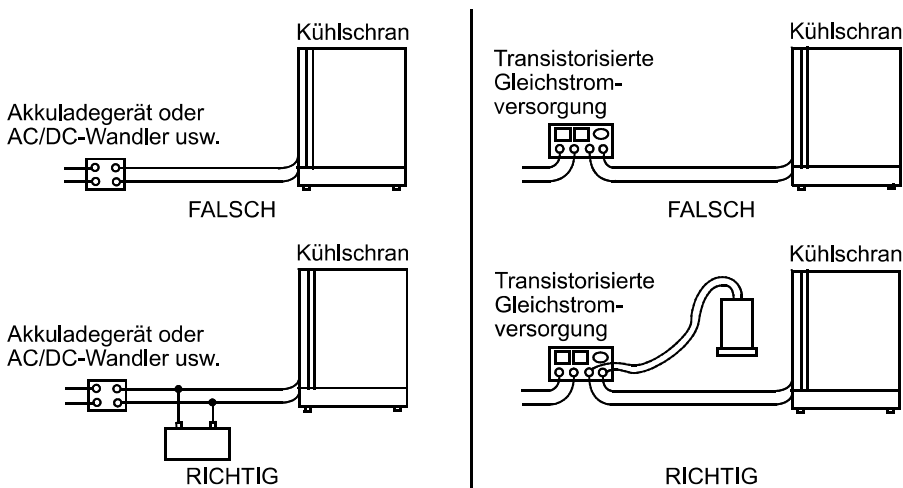
12/24 Volt Gleichstromversorgung anschließen

Der Kühlschrank arbeitet mit 12/24 V Gleichstrom über eine Batterie.



VORSICHT: Schließen Sie den Kühlschrank nur direkt an die Batterie an. Da sie häufig hohe Spannungsimpulse erzeugen und Transistorausfälle im Wechselrichter verursachen, sollten keine anderen Schalter, Leitungen oder elektrische Geräte mit der Verkabelung zwischen dem Kühlschrank und der Batterie verbunden sein. Verwenden Sie kein Verlängerungskabel.

Bei der Verwendung eines Umwandlers oder eines Batterieladegerätes sicherstellen, dass diese parallel zwischen Batterie und Kühlschrank angeschlossen sind. Verwenden Sie keinen Umwandler oder Batterieladegerät, um den Kühlschrank direkt mit Gleichstrom zu versorgen, da diese beiden Geräte keinen gefilterten Gleichstrom produzieren (siehe Art01521).



Art01521

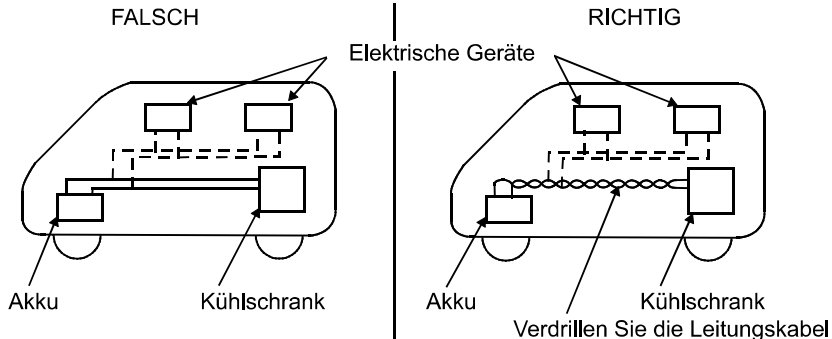
Mit der Entfernung von der Fahrzeugbatterie zum Kühlschrank erhöht sich auch die korrekte AWG-Kabelstärke. Wenn die Kabelstärke zu gering für die Entfernung ist, kommt es zu Spannungsabfall.

Der Spannungsabfall verringert die Kühlleistung des Kühlschranks.

1. Wir empfehlen Ihnen die Verwendung der folgenden Kabel- und Sicherungsgrößen:

- Messen Sie den Abstand zwischen der Batterie und dem Kühlschrank:
 - Bei einem Abstand von weniger als 3,7 m (12 Fuß) verwenden Sie ein Kabel der Stärke 16 AWG und eine 10 A-Sicherung.
 - Wenn der Abstand zwischen 3,7 m und 6,1 m (12 bis 20 Fuß) beträgt, verwenden Sie ein 14-AWG-Kabel und eine 10 A-Sicherung.
 - Bei einem Abstand von mehr als 6,1 m (20 Fuß) verwenden Sie ein Kabel der Stärke 12 AWG und eine 10 A-Sicherung.

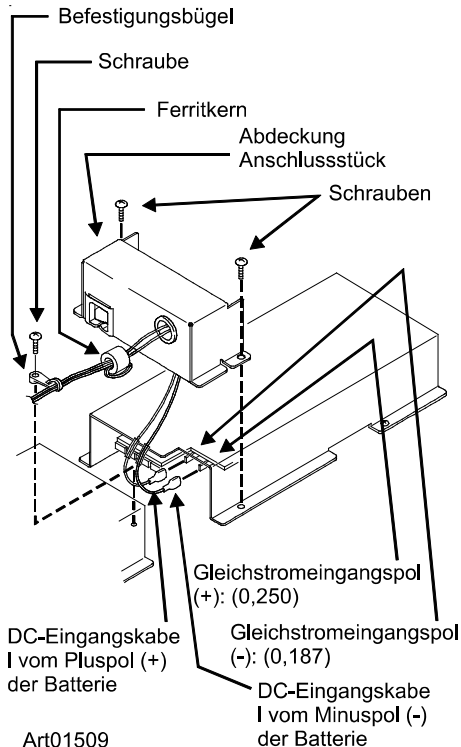
-Verdrillen Sie die Kabel, um Radiostörungen und Induktion durch Hochspannungsstöße von außen zu reduzieren (siehe Art01518).



Art01518

2. Schließen Sie die Gleichstromversorgung an (siehe Art01509):

- Entfernen Sie die zwei (2) Schrauben, mit denen die Abdeckung der Anschlussstelle befestigt ist.
- Entfernen Sie die Abdeckung.
- Ziehen Sie jedes der zwei (2) Kabel von der Batterie durch den Ferritkern.
- Machen Sie eine Schleife mit den beiden (2) und führen Sie sie zurück durch den Ferritkern.
- Führen Sie die zwei (2) Kabel durch die Buchse an der Abdeckung.
- Drücken Sie die DC-Eingangskabel auf die DC-Eingangsklemmen.
 - Achten Sie sich auf die positive (+) und negative (-) Markierung, um sicherzustellen, dass alle Anschlüsse richtig sind.
- Befestigen Sie die Abdeckung des Anschlussstücks mit den zwei (2) Schrauben.
- Führen Sie die zwei (2) Kabel durch die Zugenlastung.
- Befestigen Sie die Zugenlastung mit einer selbstschneidenden Schraube auf dem Kühlschrankgehäuse.



Einbau (SD90F-D)

Der Kühlschrank sollte auf einer festen Oberfläche im Fahrzeug oder Boot stehen und befestigt sein.

Vergewissern Sie sich vor dem Einbau des Kühlschranks in die Öffnung, dass die Gleichstromversorgung ordnungsgemäß angeschlossen ist.

Messen Sie die Öffnung, um festzustellen, ob ausreichend Arbeitsraum zur Installation vorhanden ist.

Zusätzlicher Isolierraum um den Kühlschrank herum ist nicht erforderlich.

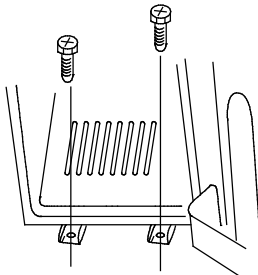
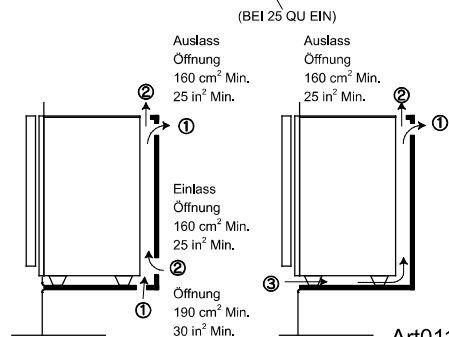
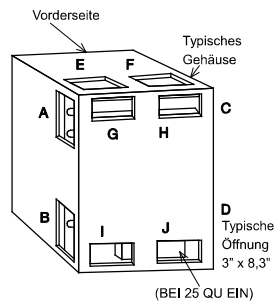
Stellen Sie sicher, dass der Kühlschrank nicht in direktem Sonnenlicht oder neben einer Heizung, einem Gasofen oder anderen wärmeerzeugenden Geräten steht. Vermeiden Sie die Aufstellung Ihres Kühlschranks in der Nähe von Warmwasserrohren oder warmen Lüftungsrohren.

Ihr Kühlschrank wurde vor der Auslieferung ab Werk gründlich gereinigt. Es ist jedoch ratsam, den Innenraum vor Ingebrauchnahme noch einmal zu reinigen. Wischen Sie den Innenraum mit einem Tuch und warmem Wasser ab. Wischen Sie anschließend mit einem trockenen Tuch nach.

Belüftung (SD90F-D)

Ausreichende Belüftung (Luftstrom) über den an der Rückseite des Kühlschranks montierten Kondensator ist notwendig, damit der Kühlschrank korrekt arbeitet. Verwenden Sie eine der folgenden Kombinationen für Lüftungsöffnungen: A-D, A-I, A-J, B-C, B-F, B-H, C-D, C-I, C-J, D-F, D-H, F-I, F-J, G-I, G-J, H-I, H-J (siehe Art01129).

Für die minimal erforderliche Luftzirkulation sollte jede Entlüftungsöffnung nicht weniger als 50 Quadratzoll betragen. Die Öffnungen sollten jedoch möglichst größer sein, um eine möglichst gute Belüftung zuzulassen. Je mehr Luft über den Kondensator des Kühlschranks zirkulieren kann, umso effizienter wird der Kühlschrank arbeiten.



VORSICHT: Entfernen Sie nicht die unteren Führungsschienen aus dem Kühlschrankgehäuse. Die Schienen sorgen für Raum unter dem Kühlschrank, der für eine ordnungsgemäße Belüftung notwendig ist.

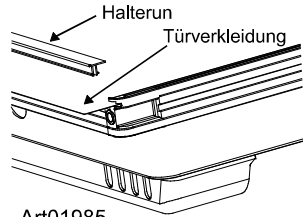
Wenn Sie nicht sicherstellen, dass die Ventilation korrekt ist, hat dies eine verkürzte Lebensdauer des Kühlschranks, schlechte Kühlleistung, Dauerbetrieb, eine beschleunigte Entladung der Batterie und die Hinfälligkeit der Garantie zur Folge.

Installationsoptionen (SD90F-D)

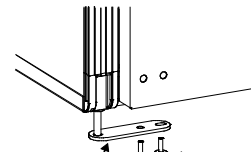
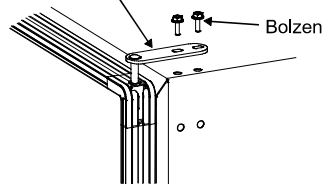
Einbau einer dekorativen Türverkleidung

HINWEIS: Die dekorative Türverkleidung muss eine Dicke von 4 mm oder weniger haben.

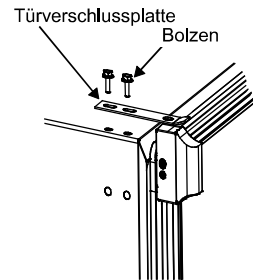
1. Entfernen Sie die Tür vom Kühlschrank, indem Sie die zwei (2) Bolzen entfernen, mit denen das Türscharnier an der Oberseite des Kühlschranks befestigt ist (siehe Art01986).
2. Heben Sie die Tür vom unteren Scharnier.
3. Entfernen Sie die Halterung, indem Sie sie aus dem Schlitz hebeln (siehe Art01985).
4. Ziehen Sie die Türverkleidung vorsichtig aus der Tür.
5. Schieben Sie eine neue Türverkleidung in den Türeinschub.
6. Bringen Sie die Halterung an der ursprünglichen Stelle an und drücken Sie die Halterung zurück in den Schlitz.
7. Setzen Sie die Tür in die ursprüngliche Position ein und ziehen Sie die zwei (2) Bolzen fest.



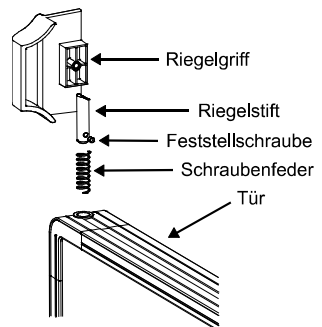
Art01985
Türscharnier



Türscharnier
Bolzen
Art01986



Türverschlussplatte
Bolzen
Schraube



Den Türanschlag umkehren:

1. Entfernen Sie die Tür vom Kühlschrank, indem Sie die zwei (2) Bolzen entfernen, mit denen das Türscharnier an der Unterseite des Kühlschranks befestigt ist (siehe Art01986).
2. Entfernen Sie die zwei (2) Bolzen, mit denen das obere Scharnier befestigt ist.
3. Entfernen Sie den Bolzen, mit dem die Türverschlussplatte an der Oberseite des Kühlschranks befestigt ist (siehe Art01987).
4. Entfernen Sie das obere Scharnier und die Verschlussplatte aus dem Kühlschrank.
5. Bringen Sie das obere Scharnier und die Verschlussplatte auf der gegenüberliegenden Seite des Kühlschranks an.
6. Bewegen Sie den Verschluss auf die entgegengesetzte Seite der Tür (siehe Art01988):
 - Entfernen Sie die Schraube, mit der der Riegelgriff und der Riegelgriffstift befestigt sind.
 - Entfernen Sie den Riegelgriffstift und die Schraubenfeder aus der Tür.
 - Bewegen Sie die Feststellschraube zur gegenüberliegenden Seite des Riegelstiftes.
 - Bauen Sie die Spiralfeder und den Riegelstift in die entgegengesetzte Seite der Tür ein.
 - Bringen Sie den Griff am Riegelstift an.
 - Stellen Sie sicher, dass das abgewinkelte Ende des Riegelstifts nach oben zeigt.
7. Setzen Sie die Gerätetür in den Kühlschrank und achten Sie darauf, dass die Dichtung richtig abdichtet.
8. Montieren Sie die zwei (2) Schrauben, mit denen das Türscharnier an der Unterseite des Kühlschranks befestigt wird, und ziehen Sie sie fest.

ENGEL

KOELKAST

MODELLEN	INPUT
SB70F	DC12/24V
SD90F-D	

HANDLEIDING

MODEL NO. : _____

SERIAL NO. : _____

SAWAFUJI ELECTRIC CO., LTD.

3, Nittahayakawa-cho, Ota City

Gunma 370-0344, JAPAN

Tel:+81 276 56 7139

www.sawafuji.co.jp/english

(Cat.No. 5490 396 0010)

Gedrukt in Thailand

Handleiding met veiligheidsmaatregelen

Lees deze handleiding goed door tot u deze begrijpt voordat u de koelkast installeert.

Houdt u rekening met mogelijke veiligheidsrisico's wanneer een u waarschuwend symbool op de koelkast aantreft of in deze handleiding tegenkomt. Een waarschuwing volgt na een waarschuwend symbool en geeft mate van het risico aan. Lees de beschrijvingen van deze waarschuwendende symbolen zorgvuldig zodat u volledig op de hoogte bent. Ze zijn voor uw veiligheid.



WAARSCHUWING: Dit symbool betekent een risico dat, indien genegeerd, gevaarlijk persoonlijk letsel, de dood of grote materiële schade tot gevolg kan hebben.



VOORZICHTIG: Dit symbool betekent een risico dat, indien genegeerd, gering persoonlijk letsel of grote materiële schade tot gevolg kan hebben.

Model nummer en serie nummer.

Het model- en serienummer staan in de koelkast aan de linkerzijde en op de voorpagina van deze handleiding vermeld.

Werking

Deze koelkast is gemaakt om te koelen en werkt op en 12/24 Volt DC-voeding als de koelkast volgens de beschrijving in deze handleiding is geïnstalleerd.



VOORZICHTIG: Bewaar nooit brandbare materialen in de buurt van de koelkast. Het bewaren van brandbare materialen in de buurt van de koelkast veroorzaakt een veiligheidsrisico en verstoort ook de ventilatie van het koelsysteem waardoor de prestaties van de koelkast afnemen.

Raak de verdampers of andere metalen delen in de koelkast niet aan met natte handen want dan kunnen deze aan de koelkast vastvriezen.

Ontkoppel altijd alle stroombronnen van de koelkast bij het uitvoeren van routine onderhoud. Laat service werkzaamheden uitsluitend door een bevoegd onderhoudstechnicus uitvoeren.

De koelkast temperatuur wordt geregeld door een thermostaat, op het paneel boven de deur. Een groen lampje op het paneel gaat aan wanneer de koelkast op "ON" staat. Het getal "1" geeft de koudste instelling en het getal "5" geeft de warmste instelling van de thermostaat weer. Voor efficiënt gebruik wijzigt u de thermostaat overeenkomstig het type voedsel dat u bewaart en houdt u hierbij tevens rekening met de omgevingstemperatuur.

Als u de koelkast gedurende langere tijd niet gebruikt, zet dan de thermostaat op "OFF".

Reinigen en ontdooien

Ontdooien

Het is normaal dat rijp zich ophoopt op de vriezer plaat in de koelkast. Overtollig rijp vermindert het vermogen van de koelkast om te koelen. Ontdooi de koelkast, indien nodig.



VOORZICHTIG: Gebruik geen scherpe voorwerpen, een haardroger, een heteluchtpistool, enz. om de koelkast te ontdooien. Er kan schade aan de binnenkant van de koelkast optreden.

- Draai de thermostaat naar "OFF".
- Verwijder alle levensmiddelen uit de koelkast.

OPMERKING: Het ontdooien van de koelkast zorgt voor overtollig water in de koelkast.

- Leg droge handdoeken (enz.) in de koelkast om het overtollige water te absorberen.
- Leg bakken met heet water in de vriezer totdat de rijp gesmolten is.
- Leeg de lekbak.
- Verwijder de natte handdoeken (enz.) en droog de binnenkant van de koelkast
- Draai de thermostaat naar de gewenste instelling.
- Plaats de lekbak en alle levensmiddelen in de koelkast.

Reiniging

Een goed moment om de koelkast te reinigen is net na het ontdooien.

Reinig de binnenkant van de koelkast zo vaak als nodig om voedselluchtjes te voorkomen:

- Verwijder alle levensmiddelen uit de koelkast.

OPMERKING: Gebruik geen agressieve reinigingsmiddelen, chemicaliën of schuursponsjes omdat ze de binnenkant van de koelkast kunnen beschadigen.

- Reinig de binnenkant van de koelkast en de koelkastdeur met een oplossing van vloeibaar afwasmiddel en warm water.
- Spoel met schoon water en maak droog.
- Breng na het reinigen een dunne laag vaseline aan op de scharnierzijde aan de binnenkant van de koelkastdeur om deze zacht te houden en te voorkomen dat deze oprolt.

Onderhoud van de accu

Overmatig koelen zorgt voor extra belasting van de accu

- Als de omgevingstemperatuur tussen 70° en 90° F ligt, houd dan de thermostaat op positie "3" om overmatig accuverbruik te voorkomen. Bij het maken van ijs of bewaren van ingevroren voedsel, zet de thermostaat op de koudste instelling "5".

Onderhoud de accu

Als uw accu onvoldoende is opgeladen, nemen de koelprestaties van uw koelkast af.



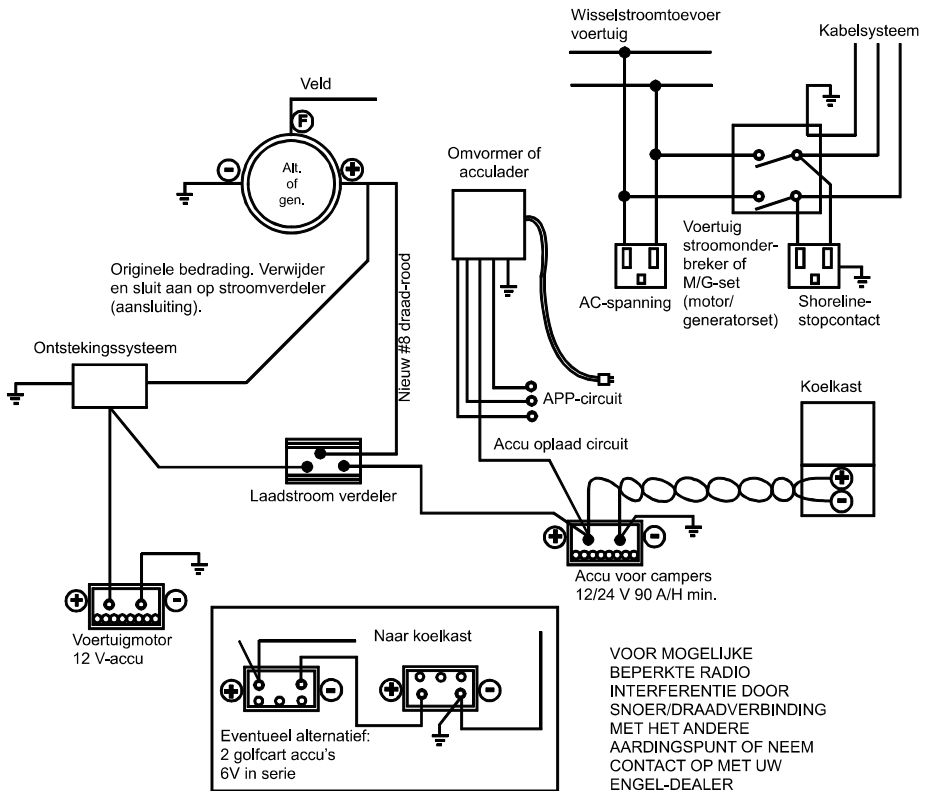
VOORZICHTIG: Gebruik alleen een "snelle oplader" op de accu als de thermostaat naar "OFF" is gedraaid.

Controleer het vermogen van de accu.

Een volledig opgeladen accu beschikt over een soortelijk gewicht liggend tussen 1.260 en 1.280 . De accu spanning is het beste te lezen wanneer de koelkast op "ON" en het accu oplaad systeem op "OFF" staat. Laad de accu op wanneer de densiteit minder is dan 1.200 .

Ter referentie

Het hieronder getoonde schema voor bedrading wordt aanbevolen voor het aansluiten van dubbele accu's (zie art. 01516).



Art. 01516

Installatie (SB70F)

De koelkast moet op een stevige ondergrond in het voertuig worden geplaatst en vastgezet.

Voordat de koelkast in de opening wordt geplaatst, controleer eerst de DC-toevoer correct is aangesloten. In de meeste gevallen kan de DC-toevoer vanaf de buitenzijde van de auto door middel van de bagage- of toegangsdeur worden aangesloten.

Meet de opening om te bepalen of u over de juiste vrije ruimte voor installatie beschikt. Extra isolatie ruimte rond de koelkast is niet nodig.

Plaats de koelkast niet in direct zonlicht of in de buurt van een gasfornuis, een verwarming of andere warmte genererende apparaten. Vermijd het installeren van uw koelkast nabij warm waterleidingen of warme luchtkanalen.

Uw koelkast werd grondig gereinigd vóór het verlaten van de fabriek.

Het is echter raadzaam om vóór gebruik de binnenkant nogmaals te reinigen. Maak de binnenkant schoon met een doek en warm water. Droog vervolgens af met een droge doek.

Ventilatie (SB70F)

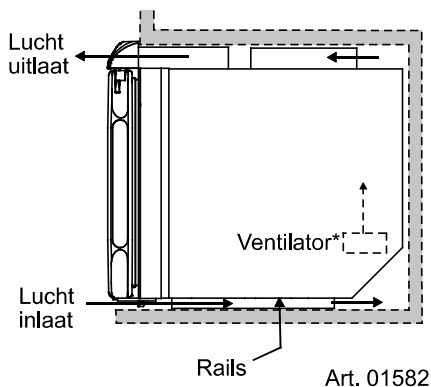
Voldoende ventilatie (luchtstroom) over de condensor gemonteerd aan de achterkant van de koelkast is noodzakelijk voor de koelkast om juist te werken (zie art. 01582).

* OPMERKING: De ventilator werkt alleen wanneer de omgevings-temperatuur hoger is dan ongeveer 95° F.



VOORZICHTIG: Verwijder niet de onderste rails van de behuizing van de koelkast. De rails geven ruimte onder de koelkast, wat nodig is voor een goede ventilatie.

Als u niet voor de juiste ventilatie zorgt, kan een verkorte levensduur van de koelkast, slechte koeling, continue werking, versnelde ontleding van de accu en ongeldigheid van de garantie tot gevolg hebben.

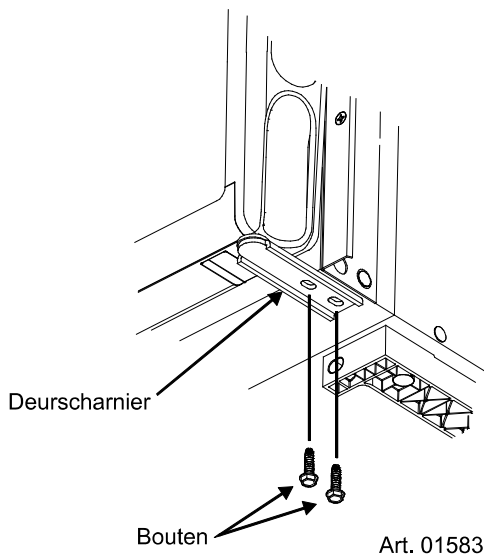


Installatie opties (SB70F)

Installeer een decoratief deurpaneel

OPMERKING: Het decoratieve deurpaneel moet 4 mm of minder dik zijn.

1. Verwijder de deur van de koelkast door de twee (2) bouten te verwijderen die de deurscharnier met de onderkant van de koelkast verbindt (zie art. 01583).



2. Verwijder de paneel houder door de twee (2) schroeven te verwijderen waarmee de paneel houder is bevestigd (zie art. 01511).
3. Trek het deurpaneel voorzichtig uit de deur (art. 01512).
4. Duw een nieuw deurpaneel in de deursleuf.

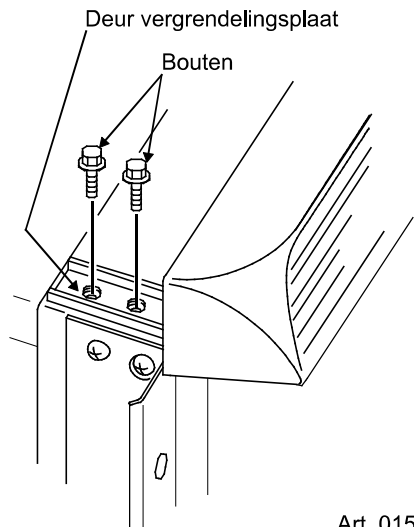
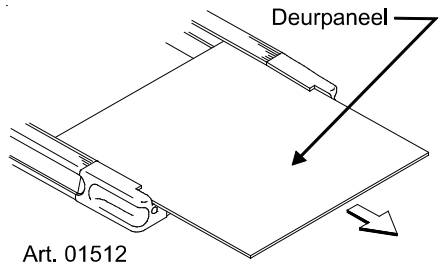
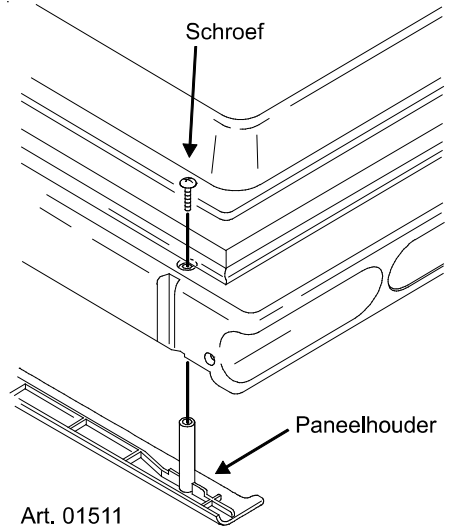


VOORZICHTIG: Draai de schroeven en bouten niet te stevig vast.

5. Plaats de paneel houder in de oorspronkelijke positie en bevestig met twee (2) schroeven.
6. Plaats de deur in de oorspronkelijke positie en draai de twee (2) bouten vast.

Openen van de deur omkeren:

1. Verwijder de deur van de koelkast door de twee (2) bouten te verwijderen die de deurscharnier met de onderkant van de koelkast verbinden
2. Verwijder de twee (2) bouten waarmee het bovenste scharnier is bevestigd.
3. Verwijder de bout die de deurvergrendelingsplaat met de bovenkant van de koelkast verbindt (zie art. 01513).
4. Verwijder het bovenste scharnier en de deurvergrendelingsplaat van de koelkast.
5. Bevestig het bovenste scharnier en de deurvergrendelingsplaat aan de tegenoverliggende zijden van de koelkast.

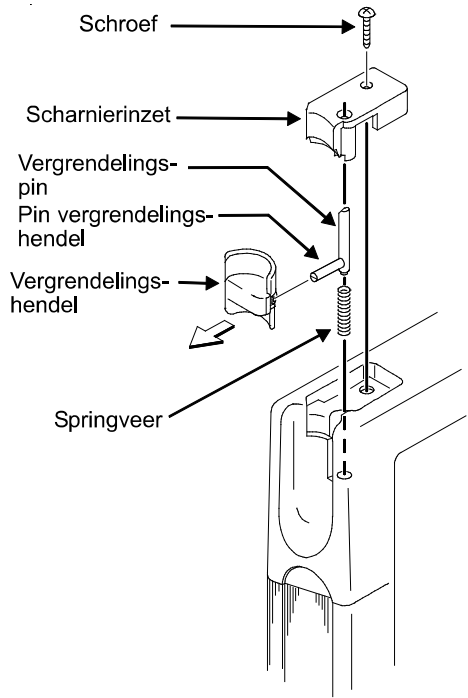


6. Verplaats de vergrendeling naar de tegenoverliggende zijde van de deur (zie art. 01514):

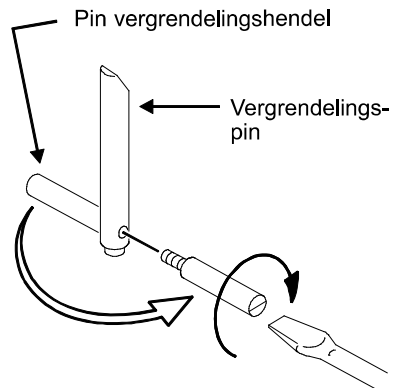
- Verwijder de schroef die het scharnier met de deur verbindt.
- Verwijder de scharnierinzet, de vergrendelingshendel en de springveer van de deur.
- Trek de pin van de vergrendelingshendel uit de uitsparing in de vergrendelingshendel.
- Verplaats de pin van de vergrendelingshendel naar de tegenoverliggende zijde van de vergrendelingspin (zie art. 01515).
- Draai de vergrendelingshendel ondersteboven en duw de pin van de vergrendelingshendel in de uitsparing van de vergrendelingshendel.
 - Zorg ervoor dat de gehoekte bovenkant naar de deurvergrendelingsplaat is gericht.
- Monteer de springveer, de vergrendelingshendel en de scharnierinzet in de tegenoverliggende zijde van de deur.
- Installeer de schroef die het scharnier met de deur verbindt en draai vast.

7. Plaats de deur op de koelkast

8. Installeer de twee (2) schroeven die het deurscharnier met de onderkant van de koelkast verbinden en draai vast.



Art. 01514



Art. 01515

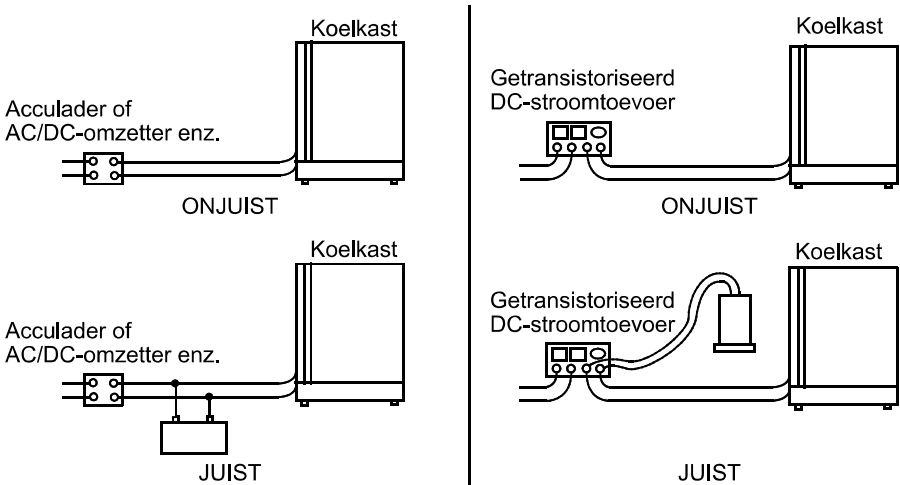
Sluit 12/24 V DC-voeding aan

Deze koelkast werkt op 12/24 V DC-stroom van een accu.



VOORZICHTIG: Sluit **alleen** de koelkast rechtstreeks op de accu aan. Omdat ze vaak hoogspanningspieken genereren en transistor defecten in de omzetter veroorzaken, mogen andere schakelaars, aansluitdraden of elektrische apparaten niet de bedrading delen tussen de koelkast en accu. Gebruik geen verlengsnoer.

Bij het gebruik van een omvormer of acculader moet u controleren of ze niet **parallel** geschakeld zijn met de accu en de koelkast. Gebruik geen omvormer of acculader om rechtstreeks DC-voeding aan de koelkast te leveren, want deze twee apparaten leveren geen gefilterde DC-voeding (zie art. 01521).



Art. 01521

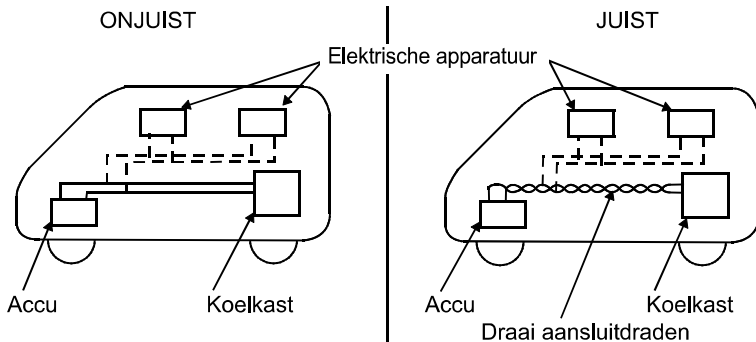
Als de afstand van de accu van het voertuig naar de koelkast toeneemt, moet de juiste AWG-draaddikte ook toenemen. Als de draaddikte te klein is voor de afstand, treedt spanningsverlies op.

Spanningsverlies verlaagt de koelprestaties van de koelkast.

1. We raden u het gebruik van de volgende draaddiktes en zekeringen aan:

- Meet de afstand van de accu van het voertuig naar de koelkast:
 - Als de afstand kleiner is dan 12 voet (3,65 meter), gebruik 16 AWG-draad en een 10 Amp zekering.
 - Als de afstand tussen 12 voet (3,65 meter) en 20 voet (6 meter) ligt, gebruik 14 AWG-draad en een 10 Amp zekering.
 - Als de afstand groter is dan 20 voet (3,65 meter), gebruik 12 AWG-draad en een 10 Amp zekering.

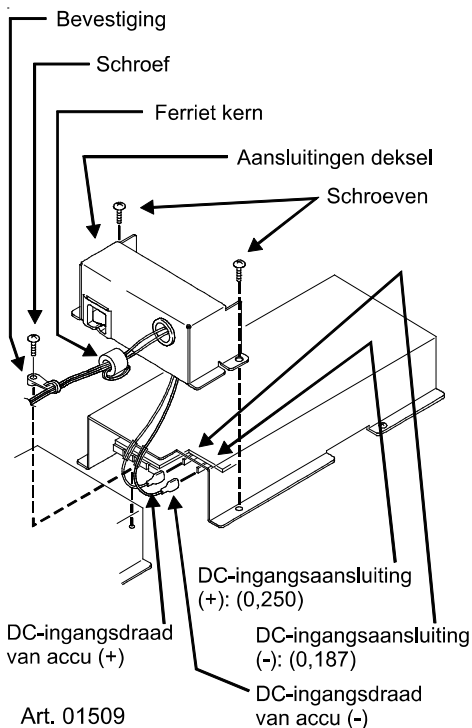
- Draai de aansluitdraden om de radio-interferentie en inductie van hoogspanningsgolven van buitenaf te verminderen (zie art. 01518).



Art. 01518

2. Sluit de DC-stroomtoevoer aan (zie art. 01509):

- Verwijder de twee (2) bouten waarmee het aansluitingen deksel is bevestigd.
- Verwijder het aansluitingen deksel.
- Steek elk van de twee (2) draden van de accu door de ferriet kern.
- Maak rondom een lus van de twee (2) draden en ga terug door de ferriet kern.
- Steek de twee (2) draden door de bus van het aansluitingen deksel.
- Duw de DC-ingangsdraden op de DC-ingangsaansluitingen.
 - Volg de positieve (+) en negatieve (-) markeringen om er zeker van te zijn dat de aansluitingen juist zijn.
- Bevestig het aansluitingendeksel met de twee (2) schroeven.
- Steek de twee (2) draden door de draadtrekontlasting.
- Bevestig de draadtrekontlasting op de behuizing van de koelkast met een zelftappende schroef.



Art. 01509

Installatie (SD90F-D)

De koelkast moet op een stevige ondergrond in het voertuig of in boten worden geplaatst en vastgezet.

Voordat de koelkast in de opening wordt geplaatst, controleer eerst of de DC-toevoer correct is aangesloten.

Meet de opening om te bepalen of u over de juiste vrije ruimte voor installatie beschikt.

Extra isolatie ruimte rond de koelkast is niet nodig.

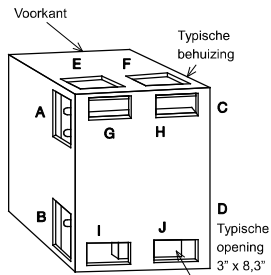
Plaats de koelkast niet in direct zonlicht of in de buurt van een gasfornuis, een verwarming of andere warmte genererende apparaten. Vermijd het installeren van uw koelkast nabij warm waterleidingen of warme luchtkanaal.

Uw koelkast werd grondig gereinigd vóór het verlaten van de fabriek. Het is echter raadzaam om vóór gebruik de binnenkant nogmaals te reinigen. Maak de binnenkant schoon met een doek en warm water. Droog vervolgens af met een droge doek.

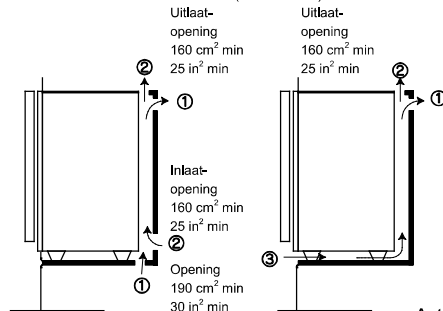
Ventilatie (SD90F-D)

Voldoende ventilatie (luchtstroom) voor de condensor, gemonteerd aan de achterkant van de koelkast, is noodzakelijk voor de koelkast om juist te werken. Gebruik één van de volgende ventilatie-openingen combinaties: A-D, A-I, A-J, B-C, B-F, B-H, C-D, C-I, C-J, D-F, D-H, F-I, F-J, G-I, G-J, H-I, H-J (zie art.01129).

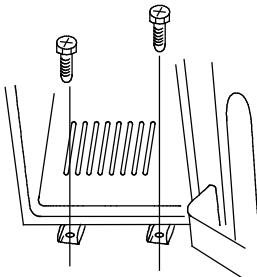
Voor de minimaal vereiste ventilatie mag elke afzonderlijke ventilatie opening niet kleiner zijn dan 50 vierkante inches (322 vierkante centimeters). De ventilatie openingen moeten echter groter zijn om zo veel mogelijk ventilatie toe te staan. Hoe meer lucht er circuleert over de koelkast condensator, des te efficiënter zal de koelkast werken.



(ON 25 SQ IN)



Art. 01129



VOORZICHTIG: Verwijder niet de onderste rails van de behuizing van de koelkast. De rails geven ruimte onder de koelkast, wat nodig is voor een goede ventilatie.

Als u niet voor de juiste ventilatie zorgt, kan een verkorte levensduur van de koelkast, slechte koeling, continue werking, versnelde ontlading van de accu en ongeldigheid van de garantie tot gevolg hebben.

Installatieopties (SD90F-D)

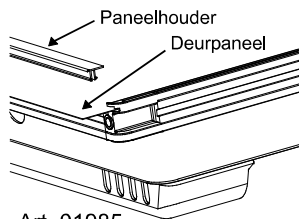
Installeer een decoratief deurpaneel

OPMERKING: Het decoratieve deurpaneel moet 4 mm of minder dik zijn.

1. Verwijder de deur van de koelkast door de twee (2) bouten te verwijderen die het deurscharnier met de bovenkant van de koelkast verbinden (zie art. 01986).
2. Til de deur uit het onderste scharnier.
3. Verwijder de paneelhouder door de houder uit de sleuf te wrikken (zie art. 01985).
4. Trek het deurpaneel voorzichtig uit de deur.
5. Duw een nieuw deurpaneel in de deursleuf.
6. Plaats de paneelhouder in de oorspronkelijke positie en druk de houder terug in de sleuf.
7. Plaats de deur in de oorspronkelijke positie en draai de twee (2) bouten vast.

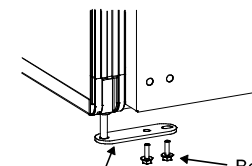
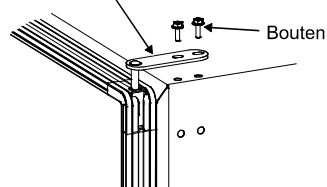
Openen van de deur omkeren:

1. Verwijder de deur van de koelkast door de twee (2) bouten te verwijderen die de deurscharnier met de onderkant van de koelkast verbindt (zie art. 01986).
2. Verwijder de twee (2) bouten waarmee het bovenste scharnier is bevestigd.
3. Verwijder de bout die de deurvergrendelingsplaat met de bovenkant van de koelkast verbindt (zie art. 01987).
4. Verwijder het bovenste scharnier en de deurvergrendelingsplaat van de koelkast.
5. Bevestig het bovenste scharnier en de deurvergrendelingsplaat aan de tegenoverliggende zijden van de koelkast.
6. Verplaats de vergrendeling naar de tegenoverliggende zijde van de deur (zie art. 01988):
 - Verwijder de schroef die de vergrendelingshendel en de vergrendelingspin met elkaar verbinden.
 - Verwijder de pin van de vergrendelingshendel en de springveer van de deur.
 - Verplaats de stelschroef naar de tegenoverliggende zijde van de vergrendelingspin.
 - Monteer de springveer en de vergrendelingspin in de tegenoverliggende zijde van de deur.
 - Bevestig de hendel aan de vergrendelingspin.
 - Zorg ervoor dat het gehoekte uiteinde van de vergrendelingspin omhoog is gericht.
7. Plaats de deur op de koelkast en zorg ervoor dat de pakking goed afsluit.
8. Installeer de twee (2) schroeven die het deurscharnier met de onderkant van de koelkast verbinden en draai vast.



Art. 01985

Deurscharnier

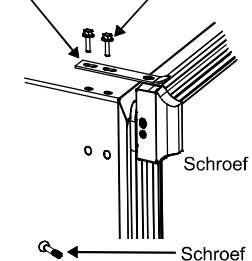


Deurscharnier

Deur vergrendelingsplaat

Bouten

Art. 01986



Schroef

Schroef

Vergrendelingshendel

Vergrendelingspin

Stelschroef

Springveer

Deur

Deur

Deur

Deur

Deur

Deur

Deur

Deur

Deur

ENGEL

REFRIGERADOR

MODELOS	INPUT
SB70F	DC12/24V
SD90F-D	

GUIA DEL USUARIO

MODELO NO. : _____

SERIAL NO. : _____

SAWAFUJI ELECTRIC CO., LTD.

3, Nittahayakawa-cho, Ota City

Gunma 370-0344, JAPAN

Tel:+81 276 56 7139

www.sawafuji.co.jp/english

(Cat.No. 5490 396 0010)

Impreso en Tailandia

Precauciones de seguridad

Lea detenidamente este manual y asegúrese de comprender el contenido antes de instalar el refrigerador.

Tenga en cuenta la presencia de posibles peligros cuando visualice el símbolo de alerta de seguridad en el refrigerador y en este manual. Una palabra clave sigue al símbolo de alerta de seguridad e indica el tipo de peligro. Lea detenidamente las descripciones de estas palabras clave para conocer completamente su significado. Son indicadas por su seguridad.



ADVERTENCIA: Esta palabra clave significa que existe un peligro que, de ser ignorado, podría causar lesiones personales graves e incluso la muerte, o daños a la propiedad.



PRECAUCIÓN: Esta palabra clave indica un peligro que, de ser ignorado, podría causar lesiones personales leves o graves daños a la propiedad.

Núm. del modelo y núm. de serie

El número del modelo y el número de serie aparecen indicados en la etiqueta de características ubicada en el lado izquierdo del interior del refrigerador y en la portada de este manual.

Funcionamiento

Este refrigerador ha sido diseñado con propósitos de enfriamiento y opera con suministros de alimentación de 12/24 voltios de CC si se instala según lo descrito en este manual.



PRECAUCIÓN: Nunca guarde materiales inflamables cerca del refrigerador. Almacenar materiales inflamables cerca del refrigerador es un riesgo de seguridad y también disminuye la ventilación del sistema de refrigeración, reduciendo de este modo el rendimiento del refrigerador.

No toque el evaporador ni ninguna otra pieza metálica del interior del armario del refrigerador con las manos mojadas, ya que podrían quedarse congeladas en el refrigerador.

Desconecte siempre todas las fuentes de alimentación del refrigerador durante las tareas de mantenimiento rutinarias. Las tareas de servicio deben ser realizadas únicamente por técnicos de servicio cualificados.

La temperatura del refrigerador se controla por medio de un termostato ubicado en el panel situado encima de la puerta. Cuando el refrigerador es activado, una luz verde se ilumina en el panel. El número "1" es la posición del termostato más cálida y el "5" la más fría. Para un funcionamiento eficiente, cambie el termostato de acuerdo a los tipos de alimentos almacenados y a la temperatura ambiente.

Si no va a utilizar el refrigerador durante un período prolongado de tiempo, coloque el termostato en la posición "OFF".

Limpieza y descongelación

Descongelación

Es normal que la escarcha se acumule en la placa del congelador dentro del refrigerador. El exceso de escarcha disminuye la capacidad de enfriamiento del refrigerador. Descongele el refrigerador según sea necesario.



PRECAUCIÓN: No utilice objetos afilados, secadores para el pelo, pistolas de calor, etc., para descongelar el refrigerador. Puede dañar el interior del refrigerador.

- Gire el termostato a "OFF".
- Retire todos los alimentos del refrigerador.

NOTA: Descongelar el refrigerador producirá un exceso de agua en su interior.

- Coloque toallas secas (etc.) dentro del refrigerador para que absorban el exceso de agua.
- Coloque bandejas de agua caliente en el congelador hasta que se haya derretido la escarcha.
- Vacíe la bandeja colectora.
- Retire las toallas mojadas (etc.) y, a continuación, seque el interior del refrigerador
- Gire el termostato hacia el ajuste deseado.
- Coloque la bandeja colectora y todos los alimentos en el refrigerador.

Limpieza

Un momento ideal para limpiar el refrigerador es justo después de descongelarlo.

Limpie el interior del refrigerador tantas veces como sea necesario para evitar que los alimentos desprendan olores:

- Retire todos los alimentos del refrigerador.

NOTA: No utilice limpiadores abrasivos, productos químicos ni estropajos, ya que pueden dañar el interior del refrigerador.

- Lave el interior del refrigerador y la junta de la puerta con una solución de detergente líquido para platos y agua caliente.
- Aclare con agua limpia y seque.
- Después de la limpieza, aplique una fina capa de vaselina en el lateral de la bisagra de la junta para mantenerla suave e impedir que se desplace.

Mantenimiento de la batería

Refrigerar en exceso agota la batería

- Cuando la temperatura ambiente se encuentre entre 70 °F y 90 °F, mantenga el termostato en la posición "3" para evitar una descarga excesiva de la batería. Al hacer cubitos de hielo, o al almacenar alimentos congelados, gire el termostato hacia el ajuste más frío "5".

Mantenimiento de la batería

Si la carga de la batería es insuficiente, la capacidad de enfriamiento de su refrigerador disminuirá.



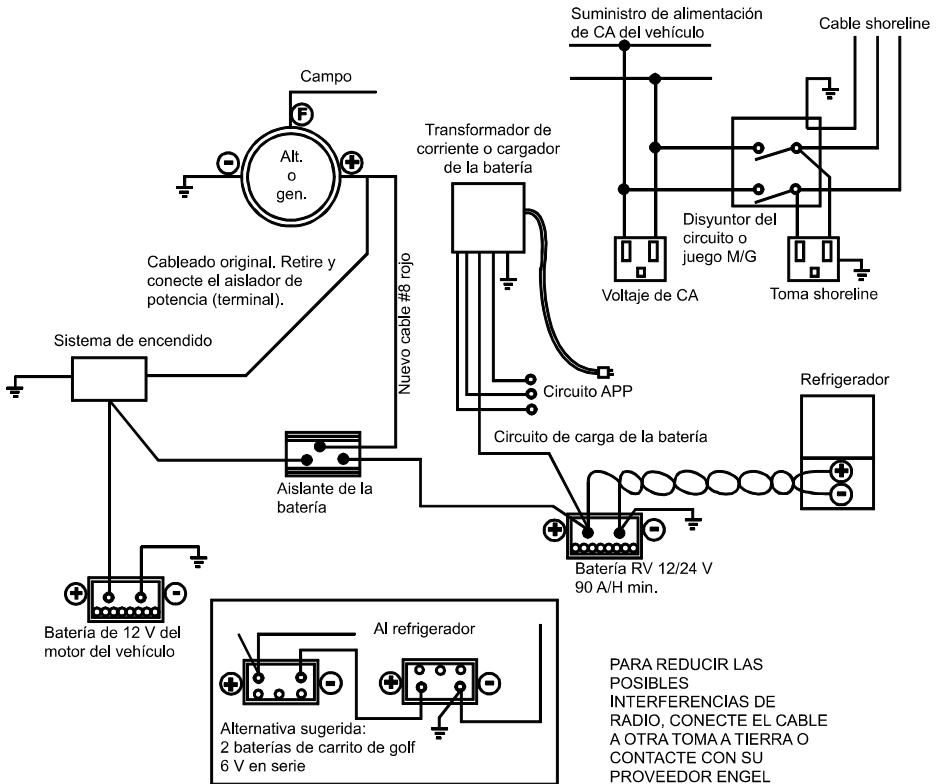
PRECAUCIÓN: Utilice un "cargador rápido" en la batería únicamente si el termostato está apagado.

Compruebe el nivel de carga de la batería

Una batería totalmente cargada tendrá una lectura de la gravedad específica entre 1.260 y 1.280. El voltaje de la batería se indica con mejor precisión cuando el refrigerador está activado y el sistema de carga de la batería está desactivado. Cargue la batería cuando la lectura de la gravedad específica sea inferior a 1.200.

Para su información

Se recomienda el diagrama del cableado indicado a continuación para la conexión de una batería dual (consulte Art. 01516).



Art. 01516

Instalación (SB70F)

El refrigerador debe colocarse y fijarse en una superficie sólida del vehículo.

Antes de instalar el refrigerador en la abertura, asegúrese de que el suministro de CC esté conectado correctamente. En muchos casos, el suministro de CC puede conectarse desde el exterior del vehículo a través de la puerta del portaequipajes o de acceso.

Mida la abertura para determinar si hay espacio suficiente para la instalación. No es necesario espacio aislante adicional alrededor del refrigerador.

Asegúrese de que el refrigerador no entra en contacto con la luz directa del sol ni se encuentra cerca de una estufa de gas, calefactor o cualquier otro aparato que genere calor. Evite instalar el refrigerador cerca de líneas de agua caliente o conductos de aire calientes.

Antes del envío desde fábrica, su refrigerador ha sido limpiado exhaustivamente. Sin embargo, se recomienda limpiar una vez más el interior antes del uso. Limpie el interior con agua caliente y un paño. A continuación, seque con un paño seco.

Ventilación (SB70F)

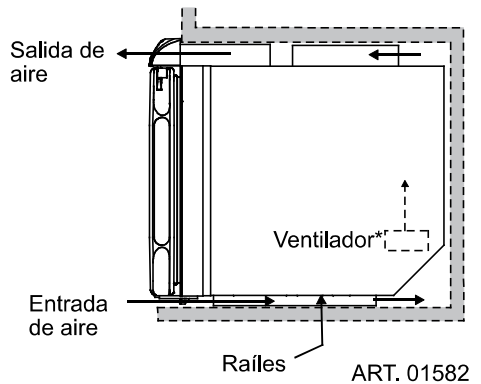
Para que el refrigerador funcione correctamente, es necesario proporcionar suficiente ventilación (flujo de aire) sobre el condensador instalado en la parte trasera del refrigerador (consulte Art. 01582).

* NOTA: El ventilador funcionará solamente cuando la temperatura ambiente sea superior a aproximadamente 95 °F.



PRECAUCIÓN: No extraiga los raíles inferiores del armario del refrigerador. Los raíles proporcionan bajo el refrigerador el espacio necesario para una ventilación correcta.

Si no se asegura de que exista una ventilación adecuada, reducirá la vida útil del refrigerador, provocará un mal rendimiento de enfriamiento, un funcionamiento continuo, una descarga acelerada de la batería y anulará la garantía.

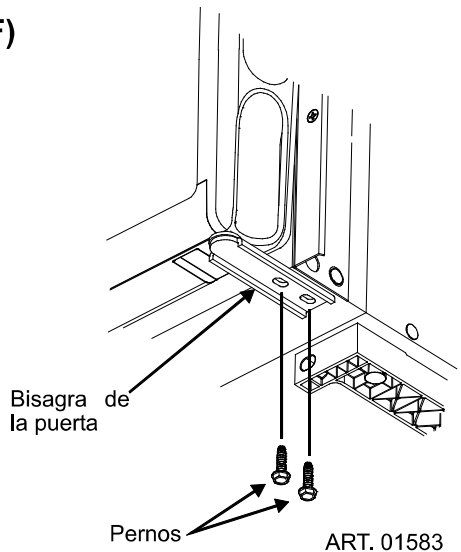


Opciones de instalación (SB70F)

Instale un panel decorativo de puerta

NOTA: El panel decorativo de la puerta debe poseer 4 mm o menos de grosor.

1. Retire la puerta del refrigerador extrayendo los dos (2) pernos que fijan la bisagra de la puerta a la parte inferior del refrigerador (consulte Art. 01583).



2. Extraiga el retenedor del panel quitando los dos (2) tornillos que aseguran el retenedor del panel (consulte Art. 01511).
3. Extraiga suavemente el panel de la puerta (Art. 01512).
4. Presione un nuevo panel de puerta en la ranura de la puerta.

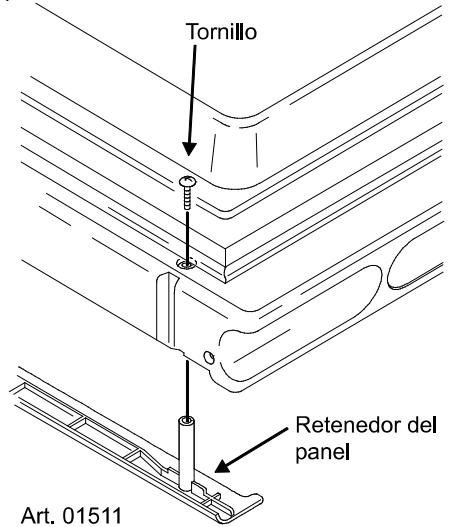


PRECAUCIÓN: No apriete excesivamente los pernos ni los tornillos.

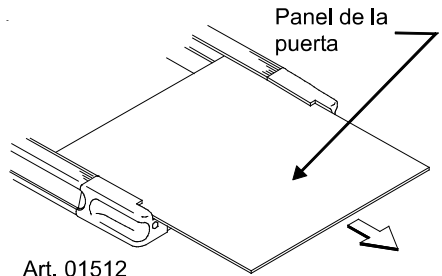
5. Coloque el retenedor del panel en la posición original y apriete los dos (2) tornillos.
6. Coloque la puerta en la posición original y apriete los dos (2) pernos.

Invierta la oscilación de la puerta:

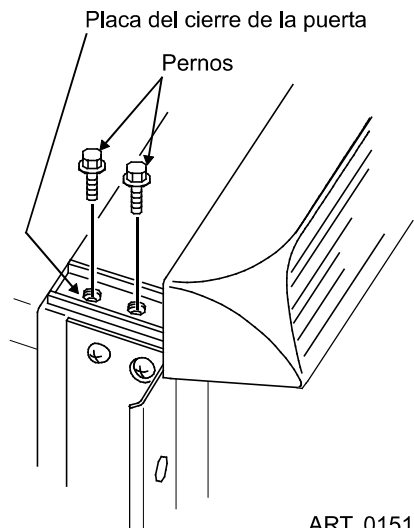
1. Retire puerta del refrigerador extrayendo los dos (2) pernos que instalan la bisagra de la puerta a la parte inferior del refrigerador
2. Extraiga los dos (2) pernos que aseguran la bisagra superior.
3. Extraiga el perno que sujeta la placa de cierre de la puerta a la parte superior del refrigerador (consulte Art. 01513).
4. Retire la bisagra superior y la placa de cierre de la puerta del refrigerador.
5. Coloque la bisagra superior y la placa de cierre de la puerta en los lados opuestos del refrigerador.



Art. 01511



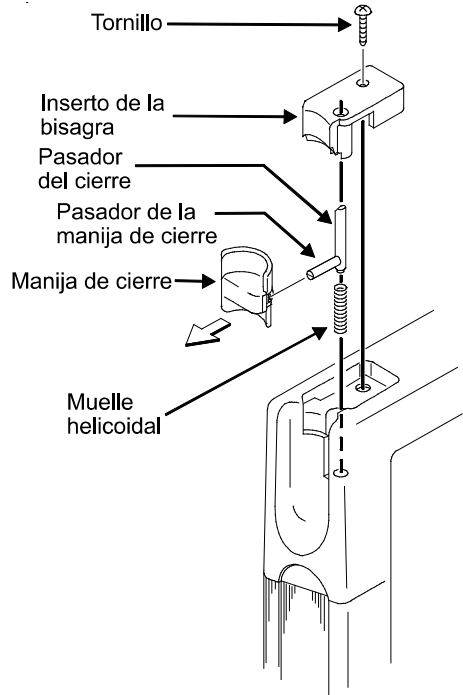
Art. 01512



ART. 01513

6. Mueva el cierre hacia el lado opuesto de la puerta (consulte Art. 01514):

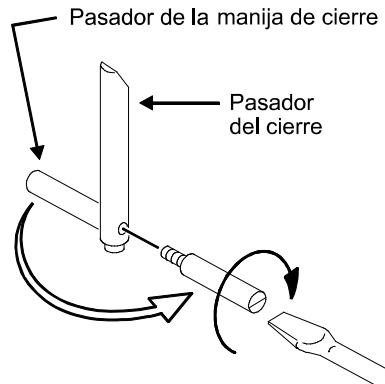
- Retire el tornillo que sujeta el inserto de la bisagra a la puerta.
- Retire el inserto de la bisagra, la manija de cierre y el muelle helicoidal de la puerta.
- Extraiga el pasador de la manija de cierre del receso de la manija de cierre.
- Mueva el pasador de la manija de cierre al lado opuesto del pasador del cierre (consulte Art. 01515).
- Gire la manija de cierre hacia abajo y presione el pasador de la manija de cierre en el receso de la manija de cierre.
 - Asegúrese de que la cara superior angular esté orientada hacia la placa de cierre de la puerta.
- Instale el muelle helicoidal, la manija de cierre y el inserto de la bisagra en el lado opuesto de la puerta.
- Instale y apriete el tornillo que sujeta el inserto de la bisagra a la puerta.



Art. 01514

7. Coloque la puerta en el refrigerador

8. Instale y apriete los dos (2) tornillos que aseguran la bisagra de la puerta a la parte inferior del refrigerador.



Art. 01515

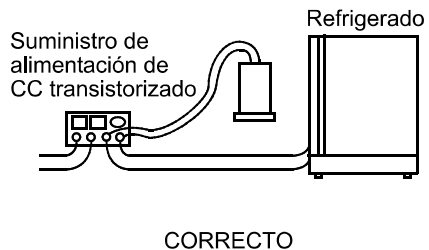
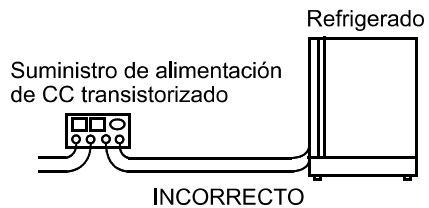
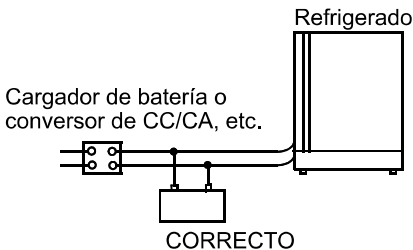
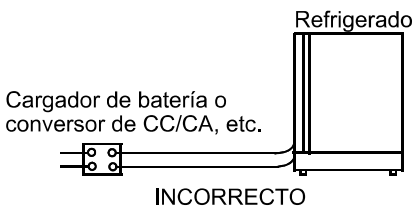
Conecte suministros de 12/24 voltios de CC

Este refrigerador funciona con la corriente CC de una batería de 12/24 voltios.



PRECAUCIÓN: Conecte únicamente el refrigerador directamente a la batería. Debido a que normalmente generan impulsos de alto voltaje y causan defectos de transistor en el inversor, no comparta el cableado de los interruptores, cables ni del equipo eléctrico entre el refrigerador y la batería. No utilice un cable alargador.

Al usar un convertor o un cargador de batería, asegúrese de que están conectados en paralelo entre la batería y el refrigerador. No utilice un convertor o cargador de batería para suministrar energía de CC directamente al refrigerador ya que ello causaría que estos dos dispositivos no suministren alimentación de CC filtrada (consulte Art. 01521).



Art. 01521

Ya que la distancia desde la batería del vehículo hasta el refrigerador aumenta, el tamaño correcto del cable AWG aumenta igualmente. Si el tamaño del cable es demasiado pequeño para la distancia, se producirá una caída del voltaje.

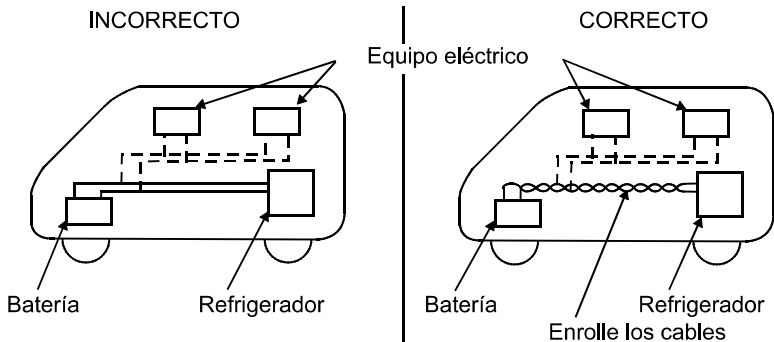
Una caída del voltaje disminuirá la capacidad de enfriamiento del refrigerador.

1. Se recomienda el uso de los siguientes tamaños de cable y fusible:

- Mida la distancia desde la batería del vehículo hasta el refrigerador:

- Si la distancia es inferior a 12 pies, utilice un cable de 16 AWG y un fusible de 10 amperios.
- Si la distancia se encuentra entre 12 y 20 pies, use un cable de 14 AWG y un fusible de 10 amperios.
- Si la distancia es superior a 20 pies, utilice un cable de 12 AWG y un fusible de 10 amperios.

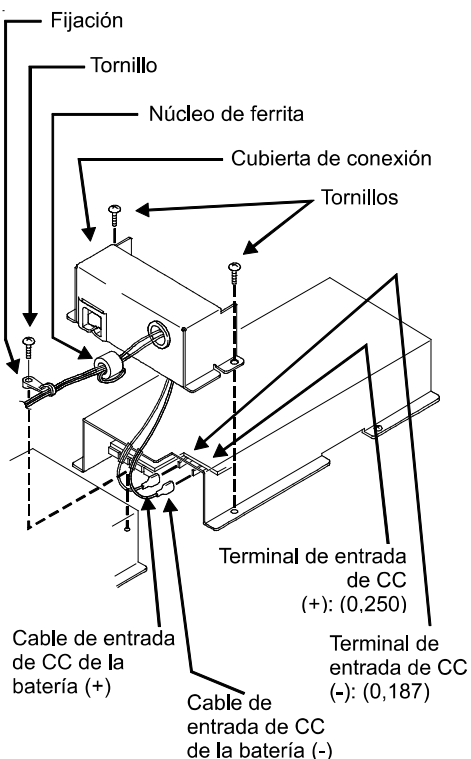
-Enrolle los cables para reducir las interferencias de radio y la inducción de una alta sobretensión desde el exterior (consulte Art. 01518).



Art. 01518

2. Conecte el suministro de alimentación de CC (consulte Art. 01509):

- Extraiga los dos (2) tornillos que aseguran la cubierta de conexión.
- Desmonte la cubierta de conexión.
- Coloque cada uno de los dos (2) cables de la batería a través del núcleo de ferrita.
- Realice un ojal con los dos (2) y páselos a través del núcleo de ferrita.
- Coloque los dos (2) cables a través del cojinete de la cubierta de conexión.
- Coloque los cables de entrada de CC en los terminales de entrada de CC.
 - Consulte las marcas positiva (+) y negativa (-) para asegurarse de que las conexiones son correctas.
- Instale la cubierta de conexión con los dos (2) tornillos.
- Coloque los dos (2) cables a través de la liberación de tensión del cable.
- Instale la liberación de tensión del cable en el armario del refrigerador con el tornillo autorroscante.



Art. 01509

Instalación (SD90F-D)

El refrigerador debe colocarse y fijarse en una superficie sólida del vehículo o barco.

Antes de instalar el refrigerador en la abertura, asegúrese de que el suministro de CC esté conectado correctamente.

Mida la abertura para determinar si hay espacio suficiente para la instalación.

No es necesario espacio aislante adicional alrededor del refrigerador.

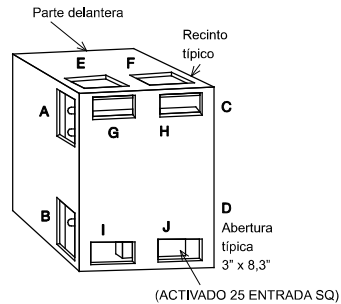
Asegúrese de que el refrigerador no entra en contacto con la luz directa del sol ni se encuentra cerca de una estufa de gas, calefactor o cualquier otro aparato que genere calor. Evite instalar el refrigerador cerca de líneas de agua caliente o conductos de aire calientes.

Antes del envío desde fábrica, su refrigerador ha sido limpiado exhaustivamente. Sin embargo, se recomienda limpiar una vez más el interior antes del uso. Limpie el interior con agua caliente y un paño. A continuación, seque con un paño seco.

Ventilación (SD90F-D)

Para que el refrigerador funcione correctamente, es necesario proporcionar suficiente ventilación (flujo de aire) sobre el condensador instalado en la parte trasera del refrigerador. Utilice cualquiera de las siguientes combinaciones de aberturas de rejilla de ventilación: A-D, A-I, A-J, B-C, B-F, B-H, C-D, C-I, C-J, D-F, D-H, F-I, F-J, G-I, G-J, H-I, H-J (consulte Art. 01129).

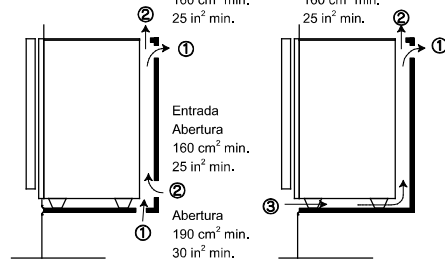
Para lograr la ventilación mínima necesaria, cada abertura de rejilla de ventilación individual no debe ser inferior a 50 pulgadas cuadradas. Sin embargo, las aberturas de la rejilla de ventilación deben ser superiores para permitir la máxima ventilación posible. Cuanto más aire circule por el condensador del refrigerador, más eficientemente operará el refrigerador.



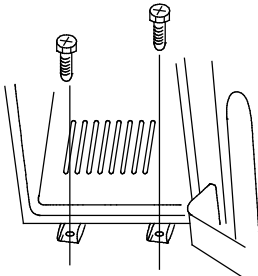
(ACTIVADO 25 ENTRADA SQ)

Toma de corriente
Abertura
160 cm² min.
25 in² min.

Toma de corriente
Abertura
160 cm² min.
25 in² min.



Art. 01129



PRECAUCIÓN: No extraiga los raíles inferiores del armario del refrigerador. Los raíles proporcionan bajo el refrigerador el espacio necesario para una ventilación correcta.

Si no se asegura de que exista una ventilación adecuada, reducirá la vida útil del refrigerador, provocará un mal rendimiento de enfriamiento, un funcionamiento continuo, una descarga acelerada de la batería y anulará la garantía.

Opciones de instalación (SD90F-D)

Instale un panel de puerta decorativo

NOTA: El panel decorativo de la puerta debe poseer 4 mm o menos de grosor.

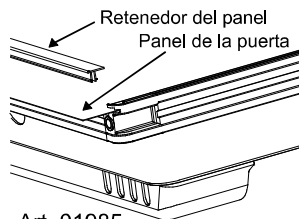
1. Retire la puerta del refrigerador extrayendo los dos (2) pernos que instalan la bisagra de la puerta a la parte superior del refrigerador (consulte Art. 01986).
2. Levante la puerta de la bisagra inferior.
3. Extraiga el retenedor del panel haciendo palanca con la ranura del mismo (consulte Art. 01985).
4. Extraiga suavemente el panel de la puerta.
5. Presione un nuevo panel de puerta en la ranura de la puerta.
6. Coloque el retenedor del panel en la posición original y presione el retenedor en la ranura.
7. Coloque la puerta en la posición original y apriete los dos (2) pernos.

Invierta la oscilación de la puerta:

1. Retire la puerta del refrigerador extrayendo los dos (2) pernos que fijan la bisagra de la puerta a la parte inferior del refrigerador (consulte Art. 01986).
2. Extraiga los dos (2) pernos que aseguran la bisagra superior.
3. Extraiga el perno que sujeta la placa de cierre de la puerta a la parte superior del refrigerador (consulte Art. 01987).
4. Retire la bisagra superior y la placa de cierre de la puerta del refrigerador.
5. Coloque la bisagra superior y la placa de cierre de la puerta en los lados opuestos del refrigerador.
6. Mueva el cierre hacia el lado opuesto de la puerta (consulte Art. 01988):

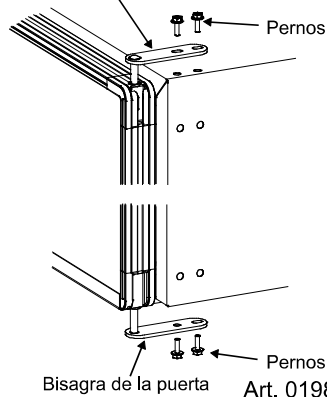
- Retire el tornillo que sujeta la manija de cierre y el pasador del cierre.
- Retire el pasador de la manija de cierre y el muelle helicoidal de la puerta.
- Mueva el tornillo de ajuste al lado opuesto al del pasador del cierre.
- Monte el muelle helicoidal y el pasador del cierre en el lado opuesto de la puerta.
- Coloque la manija en el pasador del cierre.
- Asegúrese de que el extremo angulado del pasador del cierre esté orientado hacia arriba.

7. Coloque la puerta en el refrigerador y asegúrese de que la junta encaja correctamente.
8. Instale y apriete los dos (2) tornillos que aseguran la bisagra de la puerta a la parte inferior del refrigerador.



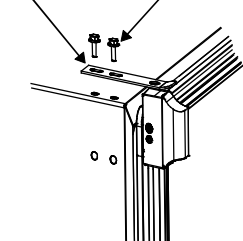
Art. 01985

Bisagra de la puerta

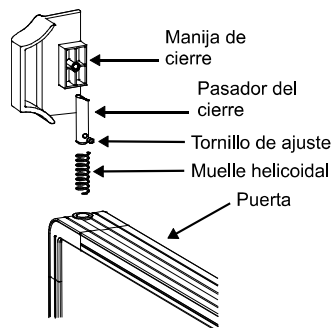


Art. 01986

Placa del cierre de la puerta
Pernos



Tornillo



Puerta

ENGEL

RÉFRIGÉRATEUR

modèles	ENPUT
SB70F	DC 12/24V
SD90F-D	

MANUEL D'INSTALLATION ET GUIDE DU PROPRIÉTAIRE

No de Modèle : _____

No de série : _____

SAWAFUJI ELECTRIC CO., LTD.

Nittahayakawa-cho, Ota City

Gunma 370-0344, JAPAN

Tel:+81 276 56 7139

www.sawafuji.co.jp/english

(Cat.No. 5490 396 0010)

Imprimé en Thaïlande

Sens de la prudence

Lire ce manuel dans le détail et bien comprendre les instructions avant d'installer le réfrigérateur. Être à l'affût de toute situation potentiellement dangereuse lorsque vous apercevez les symboles d'alerte à la sécurité sur le réfrigérateur et dans le manuel. Un mot suit le symbole et indique le niveau d'alerte. Lire attentivement la définition de ces symboles pour bien comprendre leur signification. Ils sont là pour votre sécurité.



AVERTISSEMENT : Ce symbole indique un risque, qui, si ignoré, peut entraîner des blessures sérieuses, voire la mort ou des dégâts matériels importants.



MISE EN GARDE : Ce symbole indique un risque, qui, si ignoré, peut entraîner des blessures ou des dégâts matériels.

No de modèle et no de série

Les numéros de modèle et de série sont indiqués sur une étiquette située à l'intérieur du réfrigérateur du côté gauche et sur la couverture de ce manuel.

Utilisation

Cet appareil est conçu pour les besoins de conservation à basse température et fonctionne grâce à un bloc d'alimentation de 12/24 Vc.c. lorsqu'il est installé conformément aux instructions de ce manuel.



MISE EN GARDE : Ne jamais entreposer de matière combustible près du réfrigérateur. Le non respect de cette mise en garde crée un risque et de plus diminue la circulation d'air autour du système de refroidissement, ce qui diminue la performance de l'appareil.

Ne pas toucher à l'évaporateur ni à d'autres parties métalliques à l'intérieur de l'armoire du réfrigérateur avec des mains humides car elles peuvent coller aux pièces.

Toujours couper l'alimentation électrique avant d'effectuer toute opération d'entretien courant sur l'appareil. Toujours utiliser les services d'un technicien qualifié.

La température à l'intérieur du réfrigérateur est contrôlée par un thermostat, situé sur le panneau au-dessus de la porte. Un témoin vert s'allume lorsque l'appareil est en service (ON). La position «1» correspond à la température la moins froide et la position «5» à la température la plus froide. Pour une meilleure efficacité, changer la position du thermostat suivant le type de nourriture dans l'appareil et la température ambiante.

Si le réfrigérateur n'est pas utilisé pendant une longue période, placer le thermostat à la position «OFF».

Nettoyage et dégivrage

Dégivrage

Il est tout à fait normal que du givre se forme à la surface de la plaque de réfrigération à l'intérieur du réfrigérateur. L'accumulation du givre diminue la capacité de refroidissement du réfrigérateur. Dégivrer le réfrigérateur suivant besoin.



AVERTISSEMENT : Ne vous servez pas des objets pointus, d'un séchoir à cheveux, d'un pistolet à air chaud, etc. pour dégivrer le réfrigérateur. Vous risquez d'endommager l'intérieur de l'appareil.

- Placer le thermostat sur «OFF».
- Sortir toutes les denrées alimentaires du réfrigérateur.

REMARQUE : Le dégivrage du réfrigérateur augmente la quantité d'eau à l'intérieur de l'appareil.

- Placer des chiffons secs à l'intérieur pour absorber l'eau en excès.
- Placer des bacs d'eau chaude à l'intérieur du compartiment de congélation jusqu'à ce que le givre disparaisse.
- Vider l'égouttoir.
- Sortir les chiffons mouillés et sécher l'intérieur du réfrigérateur.
- Placer le thermostat à la position désirée.
- Remettre l'égouttoir en place et toutes les denrées alimentaires à l'intérieur du réfrigérateur.

Nettoyage

Il est suggéré de nettoyer le réfrigérateur après l'avoir dégivré.

Nettoyer l'intérieur du réfrigérateur à chaque fois que cela est nécessaire pour éviter les odeurs.

- Sortir toutes les denrées alimentaires du réfrigérateur.

REMARQUE : Ne pas utiliser de produits de nettoyage abrasifs ni de tampon à récurer car ils peuvent endommager l'intérieur du réfrigérateur.

- Nettoyer l'intérieur du réfrigérateur et le joint de porte avec une solution d'eau tiède et de produit à vaisselle liquide.
- Rincer à l'eau claire et sécher.
- Une fois le nettoyage terminé, enduire le côté articulation du joint d'une légère couche de pétrolatum pour conserver la souplesse du joint et éviter le décollement.

Entretien des batteries

Un refroidissement trop fort vide les batteries

Lorsque la température ambiante est entre 70 et 90°F, laisser le thermostat à la position «3» pour éviter de vider la batterie. Placer le thermostat sur «5» (le plus froid) pour faire des cubes de glace ou conserver des surgelés.

Entretien des batteries

La capacité de refroidissement du réfrigérateur diminuera si la batterie n'est pas suffisamment chargée.



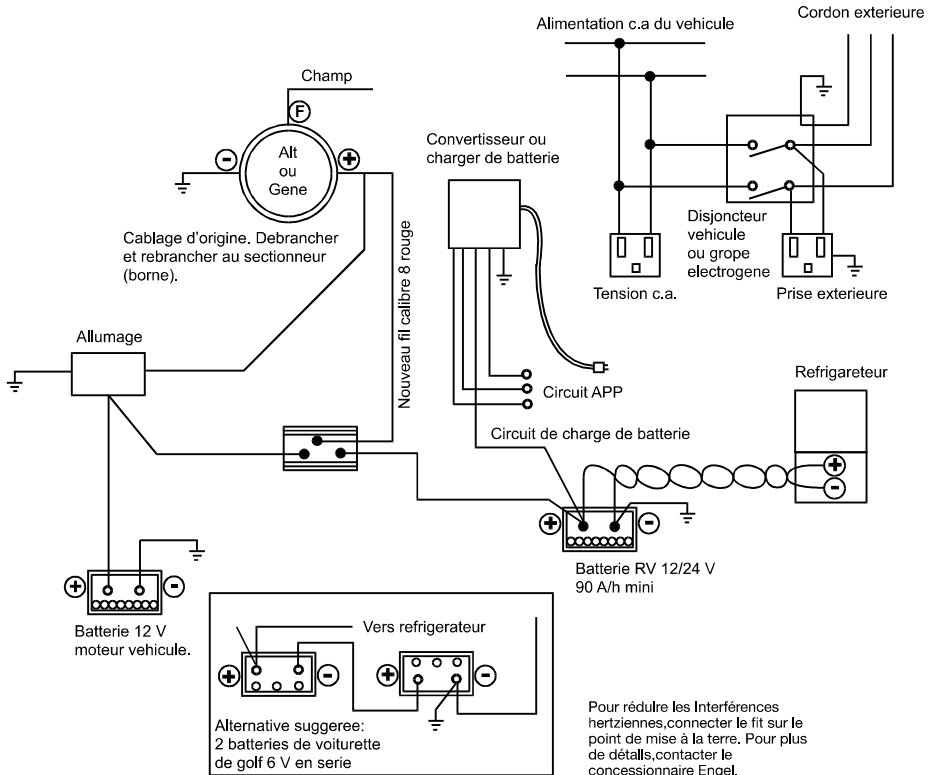
AVERTISSEMENT : N'utiliser de «chargeur rapide» que lorsque le thermostat est placé sur «OFF».

Vérifier la charge de la batterie

La densité d'une batterie à pleine charge est comprise entre 1.260 et 1.280. La lecture la plus juste est lorsque le réfrigérateur est «ON» et que le chargeur de batterie est «OFF». Charger la batterie lorsque la densité de l'électrolyte est inférieure à 1.200.

Schéma de câblage

Le schéma de câblage ci-dessous correspond au câblage recommandé pour le branchement d'une batterie double (schéma Art01516).



Installation (SB70F)

Art01516

Le réfrigérateur doit être positionné et fixé de façon sécuritaire sur une surface rigide dans le véhicule.

S'assurer que l'alimentation c.c. est raccordée correctement avant de placer le réfrigérateur dans l'ouverture. Dans beaucoup de cas, l'alimentation c.c. peut être raccordée de l'extérieur du véhicule en passant par une porte d'accès telle la porte du compartiment à bagages.

Mesurer l'ouverture pour s'assurer qu'il y a des dégagements suffisants pour installer le réfrigérateur. Il n'est pas nécessaire d'avoir de l'espace supplémentaire d'isolation autour du réfrigérateur.


S'assurer que le réfrigérateur n'est pas exposé directement aux rayons de soleil ni près d'un radiateur, cuisinière ou autre appareil ménager dégageant de la chaleur. Éviter d'installer le réfrigérateur à proximité de canalisations d'eau chaude ou de conduites d'air chaud.

Le réfrigérateur a été nettoyé à fond avant expédition de l'usine. Il est toutefois recommandé de nettoyer l'intérieur avant de s'en servir. Nettoyer l'intérieur avec un chiffon et de l'eau tiède, puis sécher avec un chiffon sec.

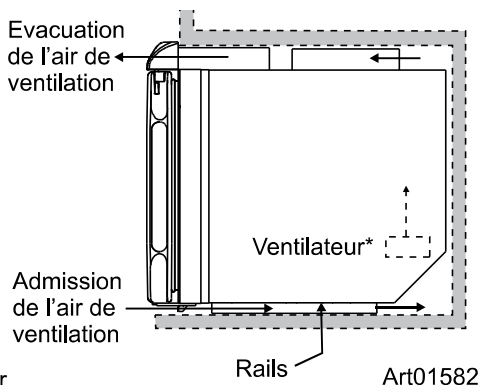
Ventilation (SB70F)

Il est nécessaire d'avoir une ventilation (circulation d'air) suffisante autour du condenseur (situé à l'arrière) pour que le réfrigérateur fonctionne de façon satisfaisante (Voir Art01517).

- * REMARQUE : Le ventilateur ne fonctionne que lorsque la température ambiante est supérieure à 95° F environ.

 **AVERTISSEMENT** : Ne pas enlever les rails situés à la partie inférieure de l'armoire du réfrigérateur. Ces rails fournissent l'espace nécessaire pour la circulation de l'air sous le réfrigérateur.

Assurez-vous que la circulation d'air autour du réfrigérateur est suffisante, car dans le cas contraire, cela peut affecter la durée de vie de l'appareil, peut entraîner un refroidissement insuffisant, un fonctionnement ininterrompu de l'appareil, une décharge accélérée des batteries et c'est un motif valable d'annulation de la garantie.

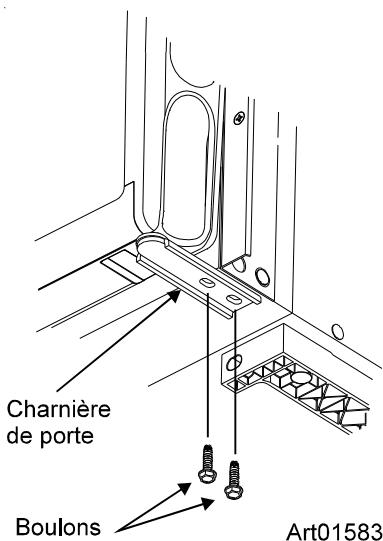


Options (SB70F)

Installation d'un panneau décoratif de porte

REMARQUE : L'épaisseur du panneau décoratif ne doit pas dépasser 4 mm.

1. Déposer la porte du réfrigérateur en enlevant les deux (2) boulons de fixation de la charnière de porte à la partie inférieure du réfrigérateur (Voir Art01510).



2. Déposer le profilé de retenue du panneau en enlevant les deux (2) vis de fixation (Voir Art01511).

3. Sortir avec précaution le panneau de la porte (Voir Art01512).

4. Mettre en place un nouveau panneau dans la rainure de la porte.

 **AVERTISSEMENT** : Ne pas trop serrer les vis et les boulons.

5. Remettre le profilé de retenue à la position d'origine et le fixer à l'aide des deux (2) vis.

6. Remettre la porte en place et serrer les deux (2) boulons.

Inversion du sens d'ouverture de la porte

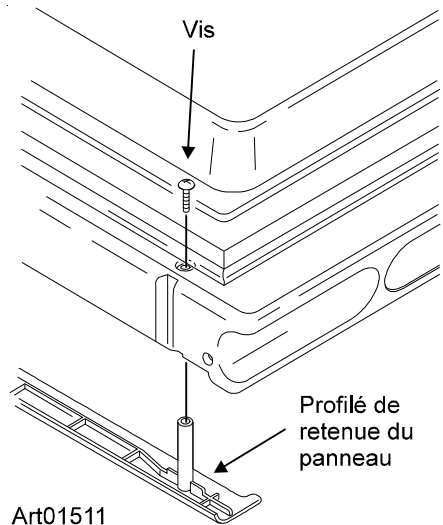
1. Déposer la porte du réfrigérateur en enlevant les deux (2) boulons de fixation de la charnière de porte à la partie inférieure du réfrigérateur.

2. Enlever les deux (2) boulons de fixation de la charnière supérieure.

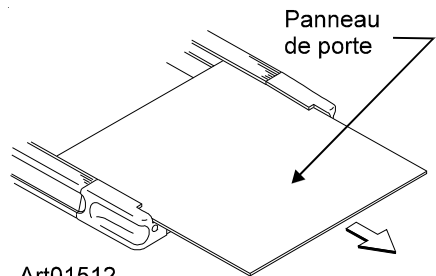
3. Enlever le boulon de fixation de la platine de verrouillage de la porte à la partie supérieure du réfrigérateur (Voir Art01513).

4. Déposer la charnière supérieure et la platine de verrouillage de la porte du réfrigérateur.

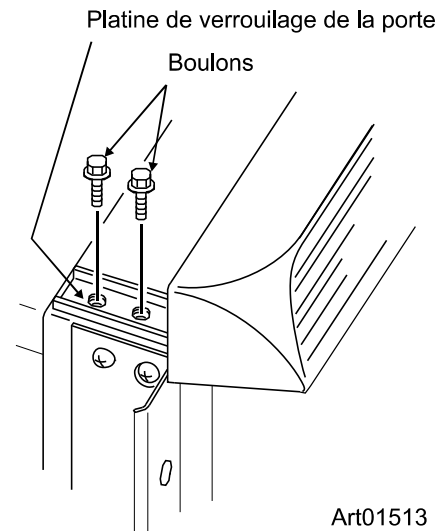
5. Fixer la charnière supérieure et la platine de verrouillage de la porte de l'autre côté du réfrigérateur.



Art01511



Art01512



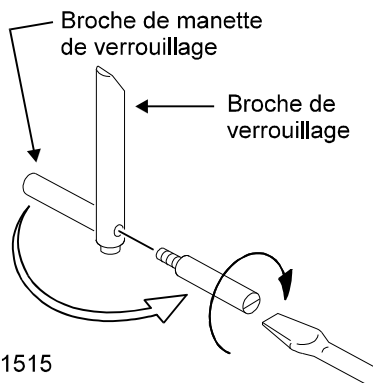
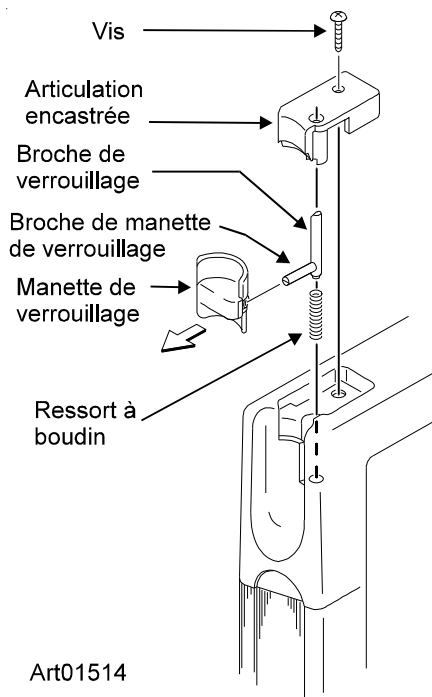
Art01513

6. Déplacer le verrou du côté opposé de la porte (Voir Art01514):

- Enlever la vis de fixation de l'articulation encastrée dans la porte.
- Déposer l'articulation, la manette de verrouillage et le ressort à boudin de la porte.
- Sortir la broche de l'encoche de la manette de verrouillage.
- Déplacer la broche de la manette de verrouillage du côté opposé de la broche de verrouillage (Voir Art01515).
- Retourner la manette de verrouillage et pousser la broche dans l'encoche de la manette de verrouillage.
 - S'assurer que la partie supérieure oblique fait face à la platine de verrouillage de la porte.
- Monter le ressort à boudin, la manette de verrouillage et l'articulation encastrée de l'autre côté de la porte.
- Installer et serrer la vis de fixation de l'articulation encastrée dans la porte.

7. Placer la porte sur le réfrigérateur.

8. Installer et serrer les deux (2) vis de fixation de la charnière à la partie inférieure de réfrigérateur.



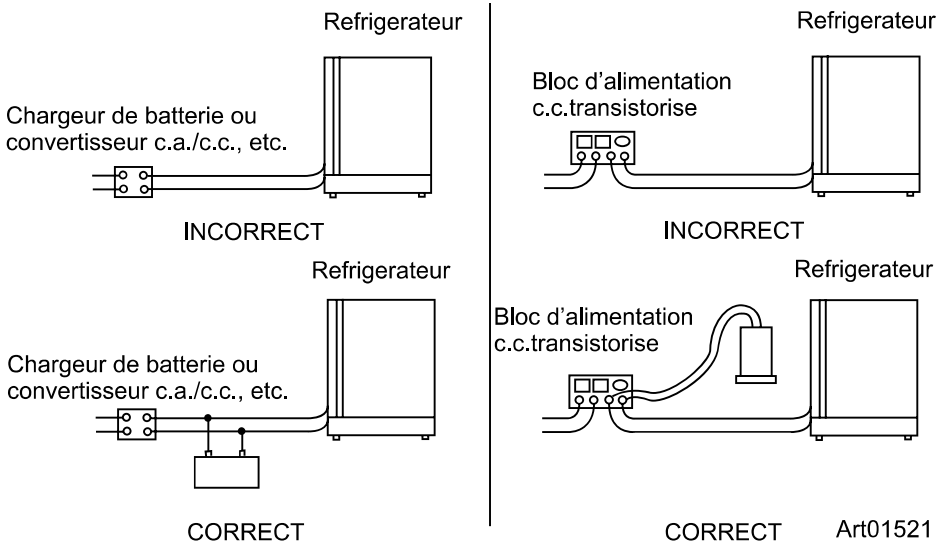
Raccordement de l'alimentations c.c. 12/24 V

Le réfrigérateur utilise du courant c.c. 12/24 V provenant d'une batterie



AVERTISSEMENT : Raccorder le réfrigérateur directement à la batterie. Compte tenu de la génération d'impulsions haute tension pouvant endommager les transistors du convertisseur, il ne faut raccorder aucun autre appareil électrique, commutateurs ou fils de connexion avec le câblage du réfrigérateur entre le réfrigérateur et la batterie. Il n'est pas recommandé d'utiliser un cordon prolongateur.

Lors de l'utilisation d'un convertisseur ou d'un chargeur de batterie, s'assurer qu'ils sont raccordés en parallèle entre la batterie et le réfrigérateur. Ne pas utiliser de convertisseur ou de chargeur de batterie pour fournir l'alimentation c.c. directement au réfrigérateur car ces deux appareils ne fournissent pas de courant c.c. filtré (Voir Art01521).



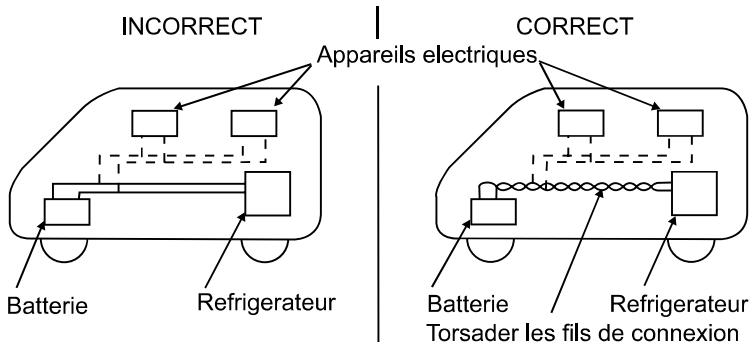
Le calibre du fil utilisé augmente avec la distance entre le réfrigérateur et la batterie. Si le fil est de section trop faible pour la distance, il se produira une chute de tension et cette chute de tension diminue la capacité de refroidissement du réfrigérateur.

1. Nous recommandons de procéder de la façon suivante :

Mesurer la distance entre la batterie et le réfrigérateur :

- Si la distance est inférieure à 12 pieds, utiliser un fil de calibre 16 et un fusible de 10 A.
- Si la distance est comprise entre 12 et 20 pieds, utiliser un fil de calibre 14 et un fusible de 10 A.
- Si la distance est supérieure à 20 pieds, utiliser un fil de calibre 12 et un fusible de 10 A.

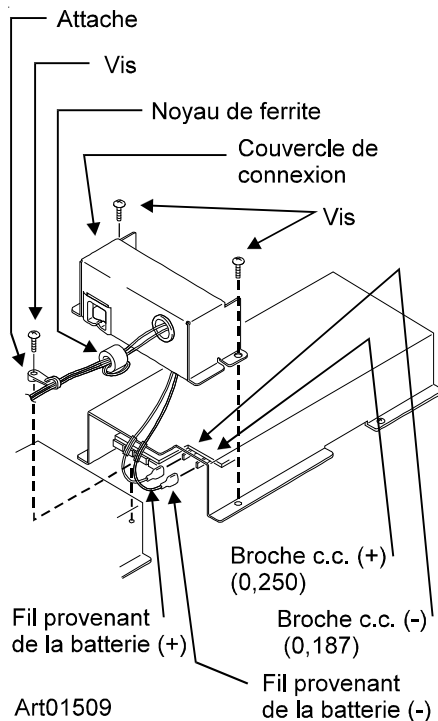
Torsader les fils de connexion pour réduire le brouillage radioélectrique et les pointes de haute tension de l'extérieur (Voir Art01518).



Art01518

1. Raccorder la source d'alimentation c.c. (Voir Art01509) :

- Enlever les deux (2) vis de retenue du couvercle de connexion.
- Déposer le couvercle de connexion.
- Passer les deux (2) fils provenant de la batterie par le noyau de ferrite.
- Faire une boucle avec les deux fils autour du noyau et les repasser par le noyau de ferrite.
- Passer les deux fils par la bague du couvercle de connexion.
- Enfiler les fils d'alimentation c.c. sur les bornes.
 - Vérifier que le fil positif est connecté à la borne (+) et que le fil négatif est connecté à la borne (-).
- Fixer le couvercle de connexion à l'aide des deux (2) vis.
- Passer les deux fils par la bride de cordon.
- Fixer la bride de cordon à l'armoire du réfrigérateur avec la vis autotaraudeuse.



Installation (SD90F-D)

Le réfrigérateur doit être positionné et fixé de façon sécuritaire sur une surface rigide dans le véhicule.

S'assurer que l'alimentation c.c. est raccordée correctement avant de placer le réfrigérateur dans l'ouverture.

Mesurer l'ouverture pour s'assurer qu'il y a des dégagements suffisants pour installer le réfrigérateur. Il n'est pas nécessaire d'avoir de l'espace supplémentaire d'isolation autour du réfrigérateur.

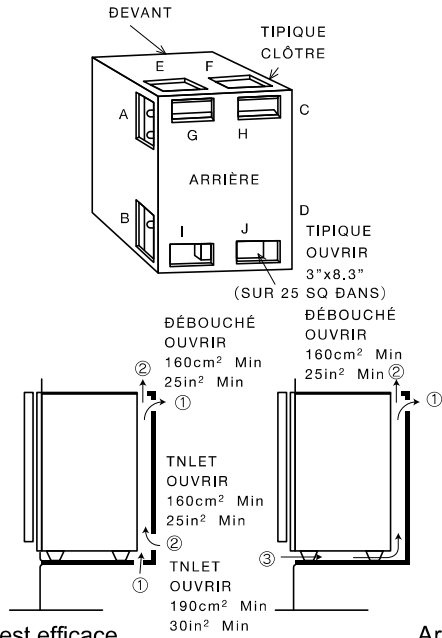
S'assurer que le réfrigérateur n'est pas exposé directement aux rayons de soleil ni près d'un radiateur, cuisinière ou autre appareil ménager dégageant de la chaleur. Éviter d'installer le réfrigérateur à proximité de canalisations d'eau chaude ou de conduites d'air chaud.

Le réfrigérateur a été nettoyé à fond avant expédition de l'usine. Il est toutefois recommandé de nettoyer l'intérieur avant de s'en servir. Nettoyer l'intérieur avec un chiffon et de l'eau tiède, puis sécher avec un chiffon sec.

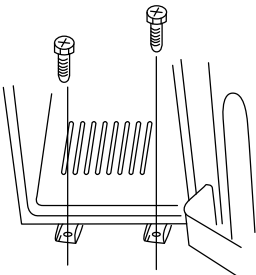
Ventilation (SD90F-D)

Il est nécessaire d'avoir une ventilation (circulation d'air) suffisante autour du condenseur (situé à l'arrière) pour que le réfrigérateur fonctionne de façon satisfaisante. Utiliser l'une des combinaisons suivantes pour les orifices d'aération : A-D, A-I, A-J, B-C, B-F, B-H, C-D, C-I, C-J, D-F, D-H, F-I, F-J, G-I, G-J, H-I, H-J (Voir Art01129).

Pour obtenir l'aération minimum requise, chaque orifice d'aération doit être d'au moins 50 pouces carrés. Ces orifices devraient cependant être plus grands pour obtenir la meilleure aération possible. En effet, plus le volume d'air circulant sur le condenseur du réfrigérateur est important, plus le fonctionnement du réfrigérateur est efficace.



Art01129



AVERTISSEMENT : Ne pas enlever les rails situés à la partie inférieure de l'armoire du réfrigérateur. Ces rails fournissent l'espace nécessaire pour la circulation de l'air sous le réfrigérateur.

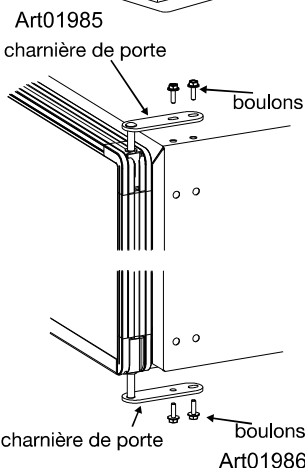
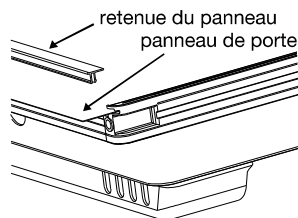
Assurez-vous que la circulation d'air autour du réfrigérateur est suffisante, car dans le cas contraire, cela peut affecter la durée de vie de l'appareil, peut entraîner un refroidissement insuffisant, un fonctionnement ininterrompu de l'appareil, une décharge accélérée des batteries et c'est un motif valable d'annulation de la garantie.

Options (SD90F-D)

Installation d'un panneau décoratif de porte

REMARQUE : L'épaisseur du panneau décoratif ne doit pas dépasser 4 mm.

1. Retirer la porte du réfrigérateur en enlevant les deux (2) boulons qui fixent la charnière de porte au haut du réfrigérateur (voir Art01986).
2. Soulever la porte pour la retirer de la charnière inférieure.
3. Faire levier sur la retenue du panneau pour la faire sortir de la fente (voir Art01985).
4. Sortir avec précaution le panneau de la porte.
5. Mettre en place un nouveau panneau dans la rainure de la porte.
6. Placer la retenue du panneau à son emplacement d'origine et l'enfoncer pour la remettre en place dans la fente.
7. Remettre la porte en place et serrer les deux (2) boulons.



Inversion du sens d'ouverture de la porte

1. Déposer la porte du réfrigérateur en enlevant les deux (2) boulons de fixation de la charnière de porte à la partie inférieure du réfrigérateur (Voir Art01986).
2. Enlever les deux (2) boulons de fixation de la charnière supérieure.
3. Enlever le boulon de fixation de la platine de verrouillage de la porte à la partie supérieure du réfrigérateur (Voir Art01987).
4. Déposer la charnière supérieure et la platine de verrouillage de la porte du réfrigérateur.
5. Fixer la charnière supérieure et la platine de verrouillage de la porte de l'autre côté du réfrigérateur.
6. Déplacer le loquet vers le côté opposé de la porte (voir Art01988) :
 - Retirer la vis qui fixe la poignée du loquet et la goupille du loquet.
 - Retirer de la porte la goupille de la poignée du loquet ainsi que le ressort à enroulement.
 - Placer la vis d'arrêt du côté opposé de la goupille du loquet.
 - Assembler le ressort à enroulement et la goupille du loquet dans le côté opposé de la porte.
 - Fixer la poignée à la goupille du loquet.
 - S'assurer que l'extrémité inclinée de la goupille du loquet est orientée vers le haut.
7. Poser la porte sur le réfrigérateur et s'assurer que le joint est bien étanche.
8. Installer et serrer les deux (2) vis de fixation de la charnière à la partie inférieure de réfrigérateur.

