

# INSTRUCTIONS

1. Remove the base plate (1) with a screwdriver.
2. If necessary: loosen nut (2) with a 13 mm wrench and adjust the tilt. Finally tighten the nut (2).
3. Remove base plate (1) from the cable.
4. Make a  $\varnothing 13$  mm hole on the surface where the antenna must be mounted.

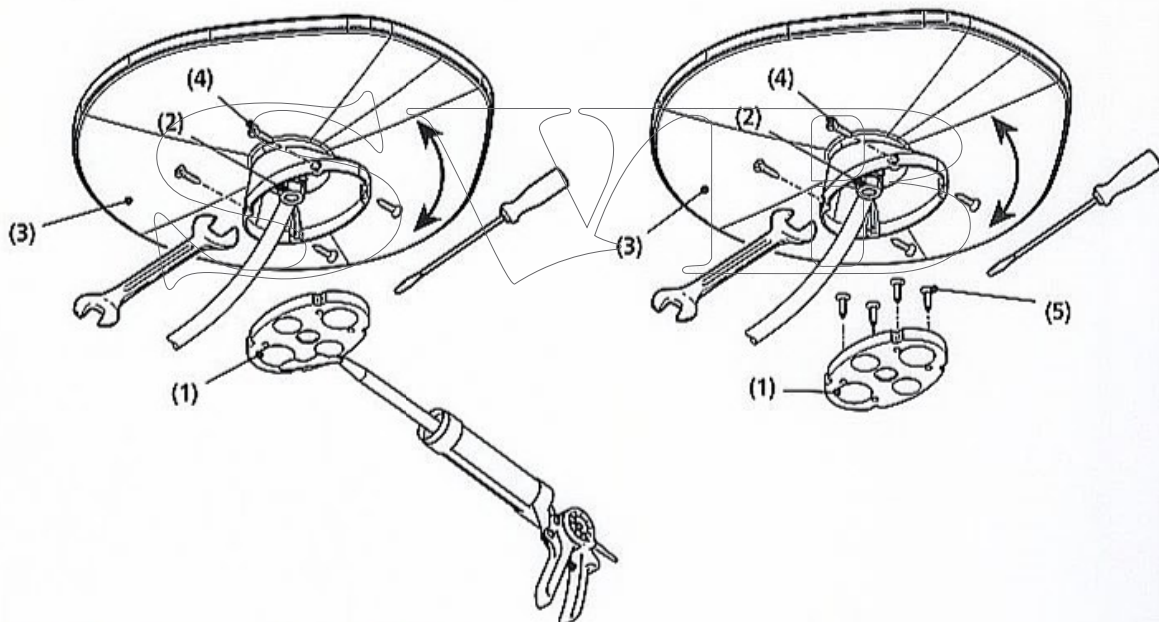
Choose between following options:

## Mounting by glue

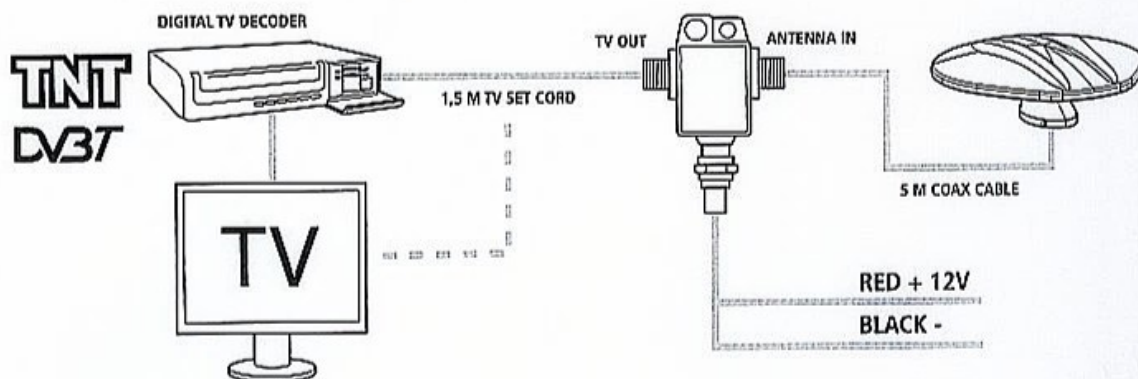
5. Glue the base plate (1) on the clean surface with SIKAFLEX 252® (or similar) sealant.
6. Wait until the glue has hardened. Then place the antenna on the base plate (1). Secure it by 2.9x9.5 supplied self threading screws (4)

## Mounting by screws

5. Mount the base plate (1) on the surface where the antenna must be mounted, by screwing 3.5x16 supplied self threading screws (5).
6. Place the antenna (3) on the base plate (1) and secure it with 2.9x9.5 supplied self threading screws (4).



7. Wire the antenna as shown in the figure.



***INTEGRATED BASE***  
(inclination range of  $\pm 15^\circ$ )

