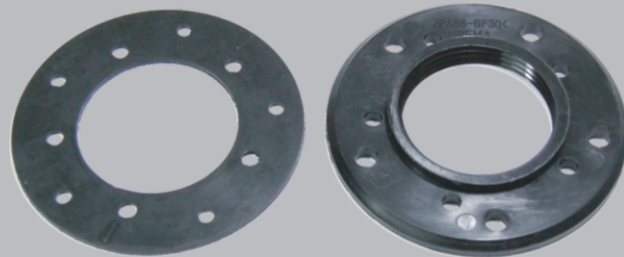


**KUS**

# FL2-WE

## Mounting Instructions



## ***Table of Contents***

1. General .....	1
2. Installation .....	2

## ***Revision History***

Revision	Description
1.0	Original Document

Applicable to aluminium alloy/plastic tank assembly with size 2-8mm.

Preparation: 40mm opener, 4.0~4.2 driller, electric hand drill, marker pen, ruler, cutter knife.

**Step 1:**

Place gasket in the required hole area in tank, draw a large hole and 5 small holes.(Figure 1)

**Step 2:**

Use 40.0mm opener to open a hole, then use 4.2mm drill the screw hole.

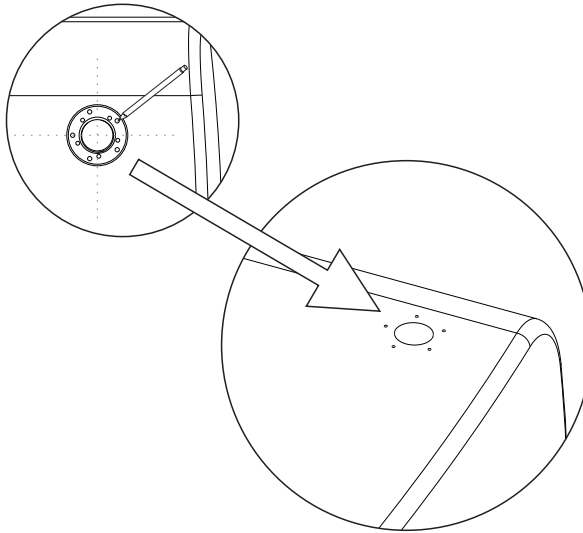
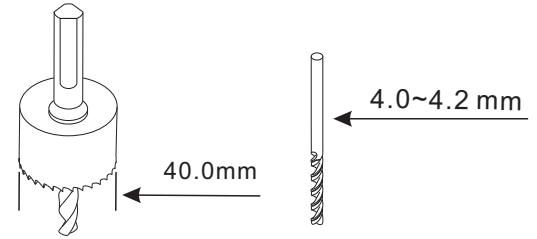


Figure. 1

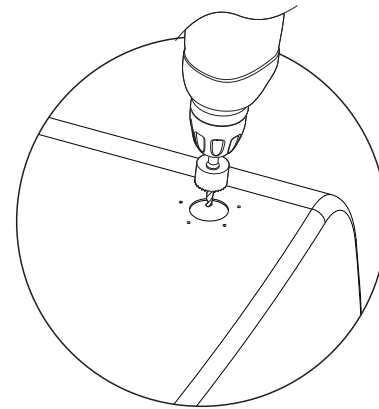


Figure. 2

### Step3:

Lock the gasket and flange on tank according to figure. 3.

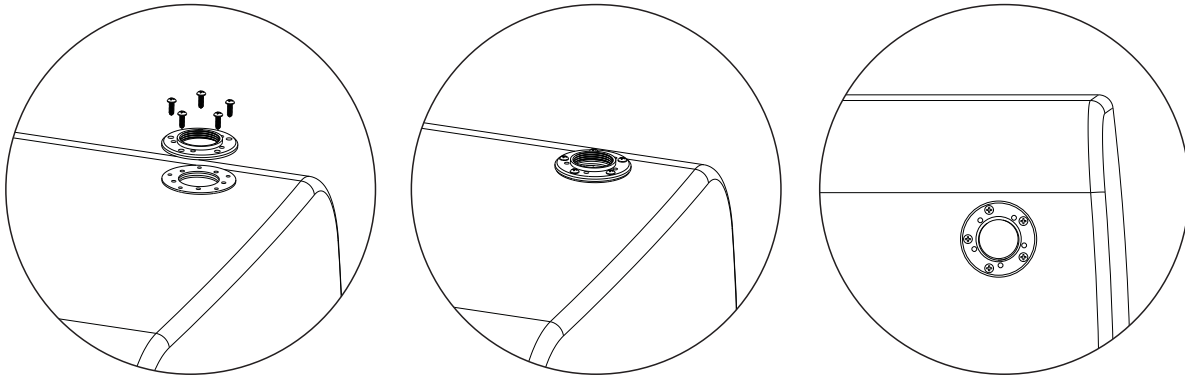


Figure. 3

[www.kusauto.com](http://www.kusauto.com)

**KUS**  
Since 1984

