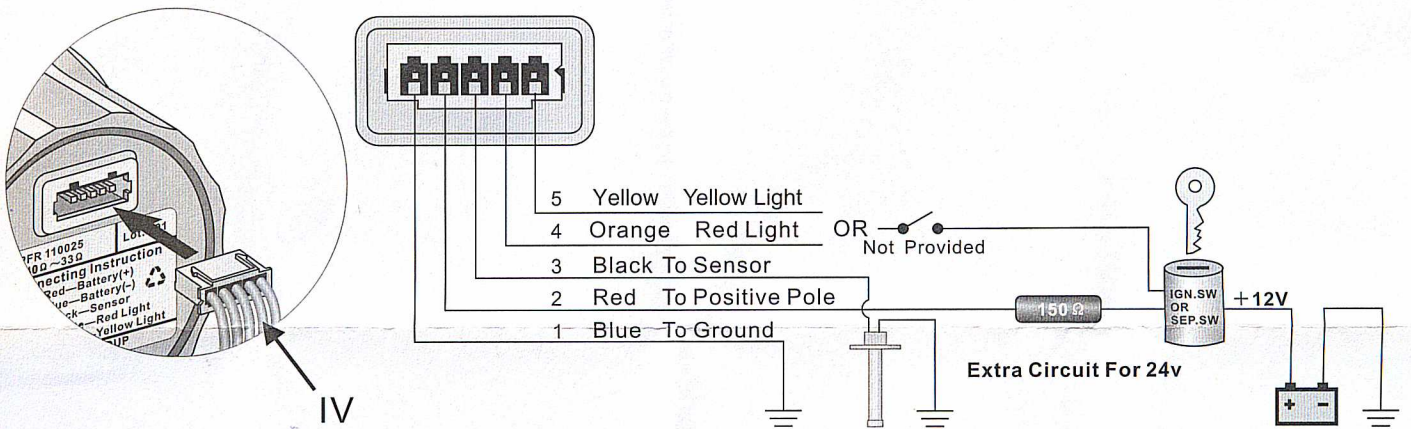
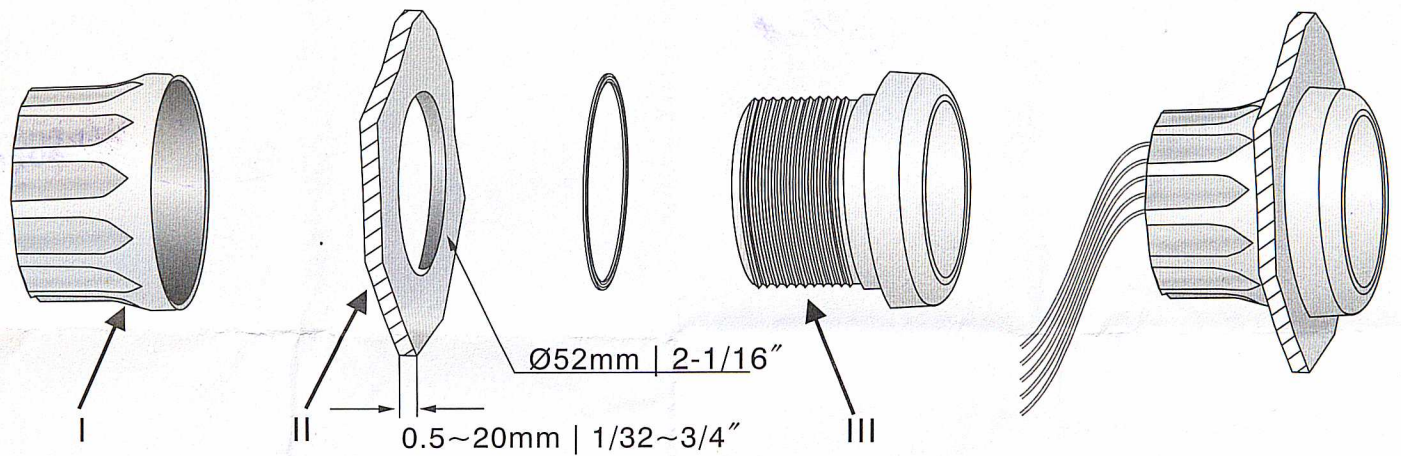


INSTALLATION INSTRUCTIONS



INSTALLATION STEPS

1. Cut a 52mm (2 1/16") diameter panel hole (II). You will need a minimum clearance of 55mm (2 3/16") behind the panel to fit the gauge.
2. Remove fastening ring (I). There is an alignment tab on the gauge body (III), place the gauge in the panel hole and mark the position of this tab to correctly align the gauge.
3. Insert gauge through panel from the front, fit and tighten fastening ring (I) from the rear.
4. Connect wires according to wiring instruction. Note the use of dropping resistors for 24V circuit. Select either Orange or Yellow wires for backlighting. Wire colour corresponds with backlight colour.
5. Insert wire harness (IV) into port at the back of the gauge.
6. Please note, if the gauge is a voltmeter there is no black wire or resistors in the kit.

安装步骤

1. 在面板(# II)上开一个直径2-1/16"(52 mm)的孔(您的船舱板或仪表板)。将仪表(# III)装入孔中, 在面板对应的仪表凸台位作标记, 并在此位置开一小缺口(如# II所示)。确保仪表板后面至少有2-3/16"(55 mm)的空间来放置仪表。
2. 将主体(# III)装入面板(# II)中, 再将固定圈(# I)旋紧即可。
3. 按接线说明将电线连接好, 并注意12V供电系统和24V供电系统不同的连接方法(24V附加电路)。
4. 可根据喜好选择红色或黄色背景灯。
5. 将线束(# IV)接入端口中。
6. 如果您购买的是电压表, 无论是12V或24V电源都无需外接电阻, 且线束(# IV)中没有黑色接线。