

SIMRAD

OP50 Controller User Guide

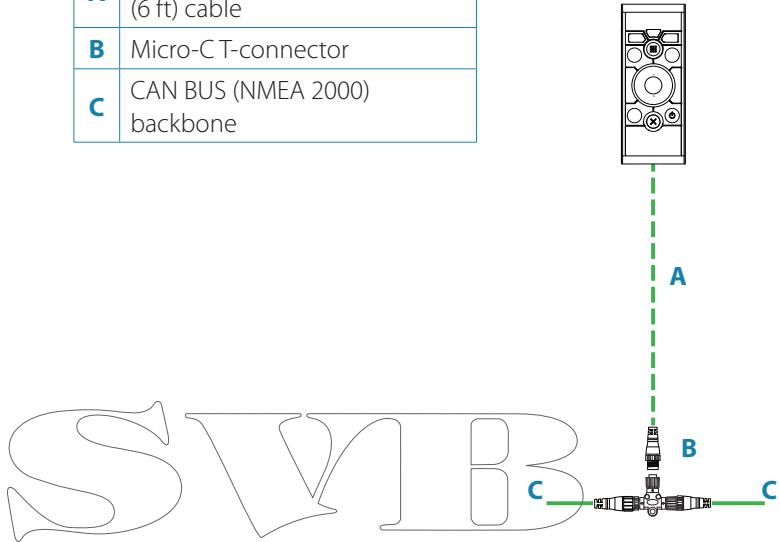
ENGLISH



Wiring

CAN BUS (NMEA 2000)

A	Male Micro-C drop cable 1.8 m (6 ft) cable
B	Micro-C T-connector
C	CAN BUS (NMEA 2000) backbone



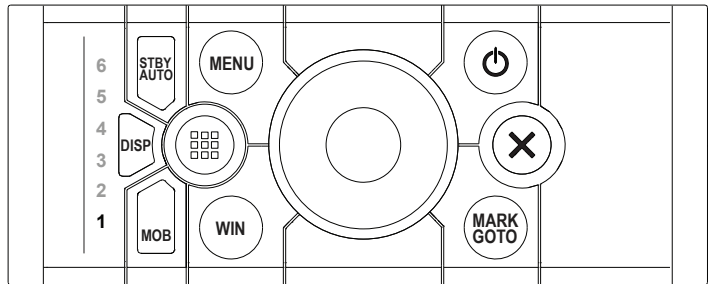
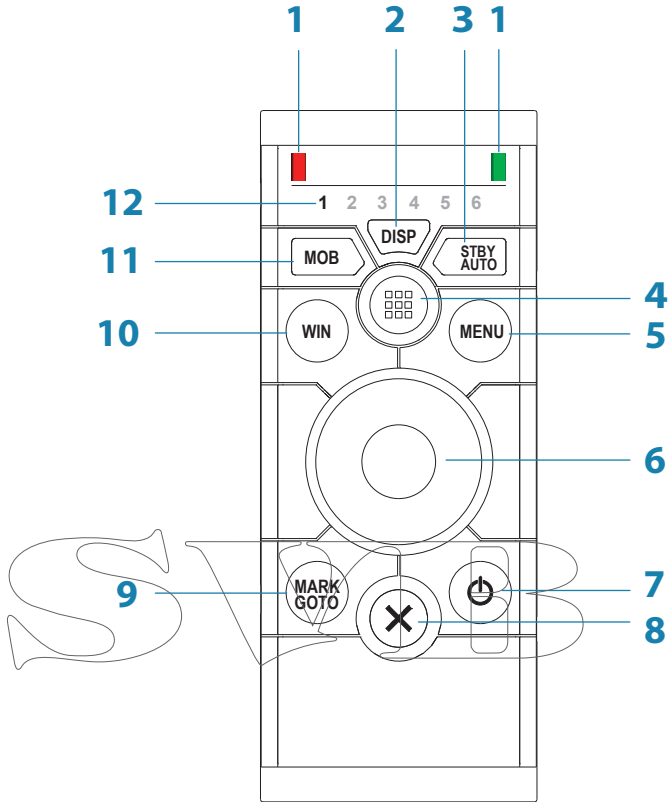
→ **Note:** NMEA 2000® and the NMEA 2000 logo are registered trademarks of the National Maritime Electronics Association.

Compliance Statements

OP50 controller:

- complies with CE under EMC directive 2014/30/EU
- complies with the requirements of level 2 devices of the Radiocommunications (Electromagnetic Compatibility) standard 2008

Front panel and keys



No.	Description
1	PORT and STARBOARD indicators. Indicators will be lit when the autopilot is active. Indicators will not be visible when the autopilot is on standby or not present. For the Landscape OP50 controller the Port and Starboard indications will always be off.
2	DISP (Display) key. Press once to toggle through displays that are configured for the control of the OP50. Press and hold to turn the OP50 to configuration mode.
3	STBY/AUTO key. Switches the system to Standby mode if the autopilot is active. Displays the autopilot dialog if the autopilot is not active.
4	HOME key. Press once to activate the Home page. Press and hold to display the Favorite panel as an overlay on active page. Repeat short presses to cycle the favorite buttons.
5	MENU key. A single press displays the menu for the active panel/overlay. A second press displays the settings menu.
6	ROTARY/JOYSTICK knob. Rotate to scroll through menu items or to zoom a zoomable panel. Press to confirm a selection. Move joystick to pan the chart or to navigate through menus.
7	POWER/BRIGHTNESS key. Press once to activate the dialog used to adjust brightness, change day / night illumination and set the unit in standby mode. Press and hold to shut down the MFD that is currently under OP50 control.
8	X (Exit) key. Cancels changes and returns to previous menu level.
9	MARK/GOTO key. Press once to mark a waypoint at the vessel's position. Press and hold to activate the GOTO menu.
10	WIN key. It is used on multiple panels pages. A short press toggles between the panels, a long press expands active panel to a full page panel and back again.
11	MOB (Man Over Board) key. Press to mark a waypoint at the vessel's position.
12	DISPLAY ASSIGNMENT LEDs. Indicates which display the OP50 is controlling.

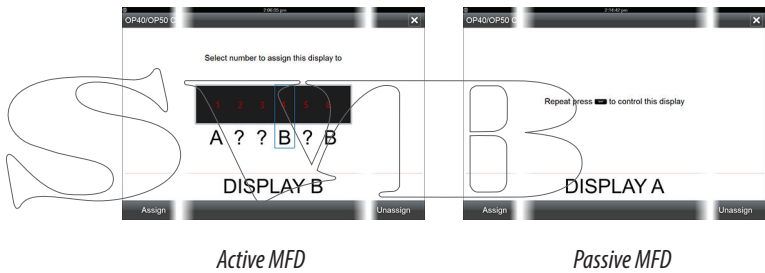
Configuring the OP50

The OP50 can control up to 6 compatible MFDs (Multi Function Displays). Refer to your MFD's website for more information.

→ **Note:** Out of date software on MFDs will limit the remote control to 4 MFDs.

From the factory the OP50 is not assigned to control any MFD. It will not be responsive until it has been assigned to control an MFD on the network.

1. Turn ON all MFDs that are to be configured for OP50 control
2. Press and hold the **DISP** key on the OP50 for 5 seconds to enter OP50 configuration mode
 - All LEDs on the OP50 turn red to indicate that the OP50 is in configuration mode.
 - The configuration dialog is displayed on all MFDs.



3. Press the **DISP** key until the MFD to be assigned shows the active assignment dialog

→ **Note:** The MFDs are identified with letters for assignment purpose. These letters are random and not in any particular order.

4. If required, move the joystick left/right to switch to a different LED position
 - It is logical to assign LED(s) 1 through 6 (left to right) to units moving from left to right.

Assign

5. Select the **Assign** button, or press the **MENU** key and select the Assign option to assign active MFD to a LED position on the OP50 controller
6. Press the **DISP** key or move the joystick up/down to select different displays for that LED position
 - Already assigned MFDs will now show the passive assignment dialog.

7. Repeat step 3 and 4 until all MFDs are assigned to a LED
8. Press the **X** key to save your settings and return to normal operation

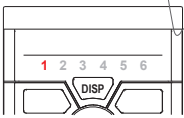
Unassigning an MFD from an OP50

1. Press and hold the **DISP** key on the OP50 for 5 seconds to enter OP50 configuration mode
 - All LEDs on the OP50 turn red to indicate that the OP50 is in configuration mode.
 - The configuration dialog is displayed on all MFDs.
2. Use the rotary knob to select the MFD that is to be unassigned
 - Selected MFD is identified with a border.
3. Select the **Unassign** button, or press the **MENU** key and select the Unassign option
4. Press the **X** key to save your settings and return to normal operation

Unassign

Configuring the next OP50

Press and hold the **DISP** key for 1 second to take command of another OP50 in configuration mode.



Selecting which MFD to control

Press the **DISP** key to toggle through the LEDs.

Once a LED has red steady light the OP50 is in control of the MFD assigned to that LED.



The MFD controlled by the OP50 has a small icon on the screen.

OP50 LEDs

Status	Description
Off	The OP50 is not powered, or no MFD is assigned to the LED position.
Flashing	The MFD assigned to the LED position is not active (either Off or still switching On).
Steady	The MFD assigned to the LED position is ON and ready for OP50 control.
All LEDs Steady	The OP50 is in configuration mode.

Technical specifications

→ **Note:** For updated technical specifications, compliance and certifications, refer to our website.

Weight & Dimensions	
Dimensions	150 mm x 60 mm (H x W) 5.9 in x 2.3 in (H x W)
Weight	0.36 kg (0.8 lbs) with cable
Power	
Power supply	12 V DC (Micro-C)
Current consumption	< 90 mA : 2 LEN
Data	
Micro-C	Integrated 1.8 m (6 ft) male Micro-C cable (Male Micro-C)
Network	NMEA 2000
Technical	
Keypad beeper	< 80 dBA @ 0,5 m
Backlight	White
Environmental protection	IPX6 (dash mounted only)

SIMRAD



For regulatory compliance certificates
and declarations, refer to the product
website on:



www.simrad-yachting.com



* 9 8 8 - 1 0 9 0 6 - 0 0 1 *