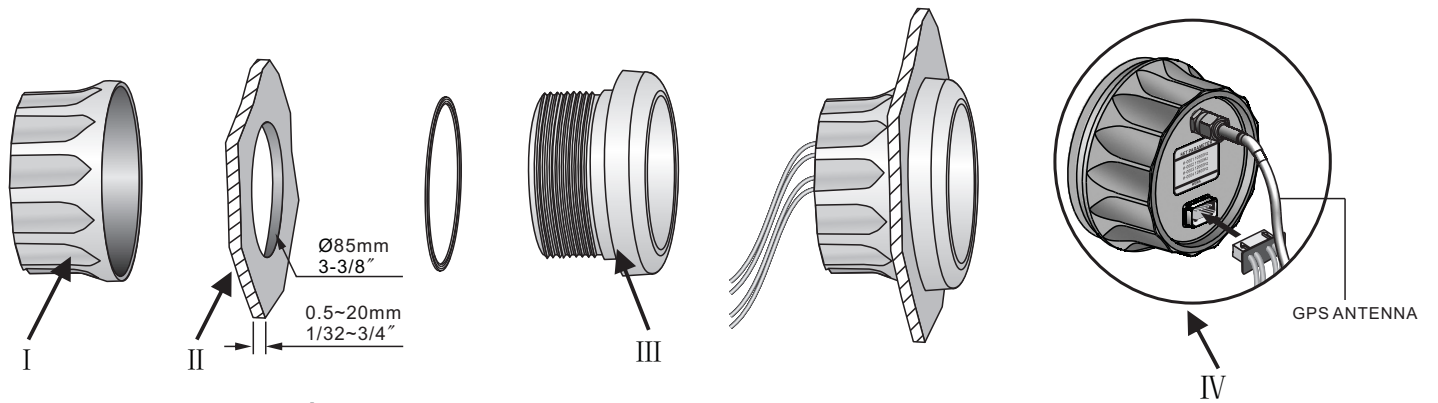
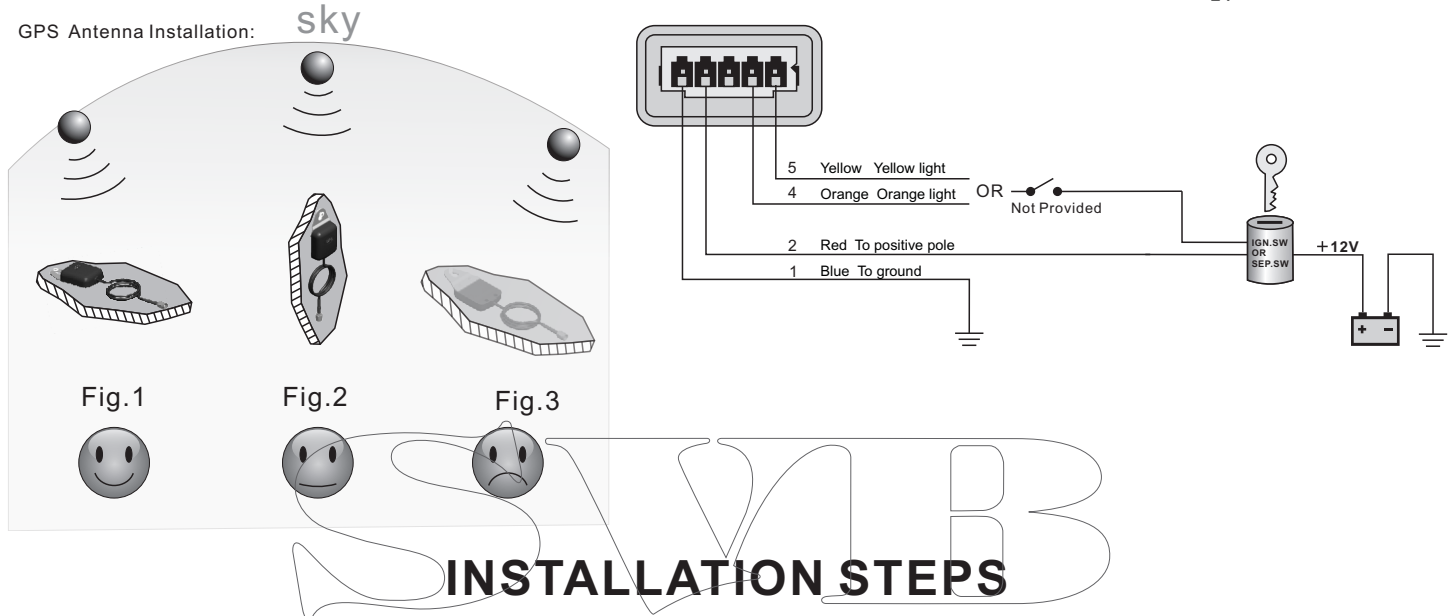


INSTALLATION INSTRUCTIONS



GPS Antenna Installation:



INSTALLATION STEPS

1. Cut an 85mm (3 3/8") hole in the panel (II) allow a clearance of 55mm (2 3/16"). behind the panel.
2. Remove fastening ring (I), insert gauge from front. Tighten gauge (III) using fastening ring (I)
3. Insert the wire harness (IV) firmly in the gauge (III)
4. Connect cables according to the diagram. Choose either red or yellow background light.
5. Securely fasten the GPS antenna (V), preferably outdoors (or inside front windscreen) so that it has a clear view of the sky to pick up satellite signals. Connect the antenna cable to socket on the gauge. Do not cut cable.
6. After turning power on, allow the gauge to sample satellite signal for 1 minute. The gauge will show speed in knots (SOG) and Compass (COG) only when the boat is moving. While boat is lying still all data is frozen, so the compass cannot be used as a reference until the boat is moving, when the signal is recovered.
7. All data is for reference only and should not be trusted as sole navigation source.

安装步骤

1. 在仪表板(II)上开一个直径为 $\Phi 85\text{mm}$ (3 3/8")的孔,并确保仪表板后面至少要有55mm(2 3/16")的空间来放置表。
2. 去掉固定圈(I),从前面放入仪表,调整好位置后用固定圈(I)锁紧仪表(III)。
3. 将线束和GPS天线连接到仪表上(IV)。
4. 根据接线图将电线连接好,并请选择红色或黄色背光灯。
5. 将GPS天线安装到户外,并确保固定好的GPS天线接受信号一面面对着天空,如Fig.1;如果GPS天线安装如Fig.2, GPS信号的接收将会受到影响;如果GPS天线安装如Fig.3,则GPS信号将受到非常大的影响,信号较弱时可能完全接收不到信号。
6. 通电之后,仪表需要1分钟左右的时间去接收卫星信。信号强的时候一般40秒以内即可完成定位(初次定位可能需要1~2分钟的时间)。当船移动时,仪表将在COG上显示以顺时针方向的偏北角角度,指针显示相对地的即时速度(SOG)。在船停靠期间,所有的数据将不会变化,所以指针不能作为参考使用,要直到船开始移动,仪表上显示的数据才会准确。
7. 所有的数据仅作为参考,不应作为唯一的导航指示数据。