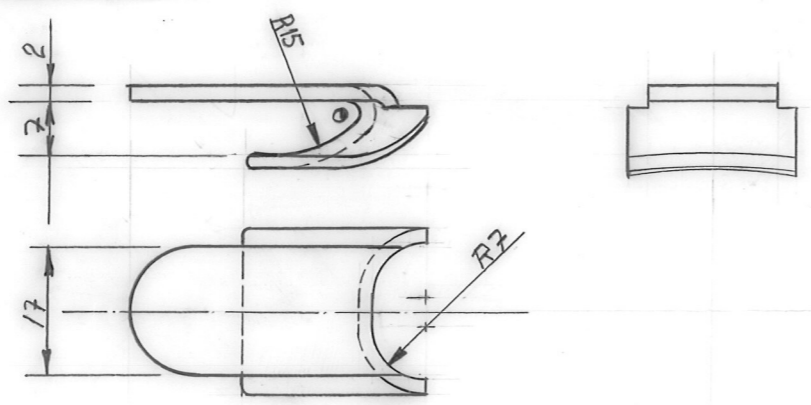
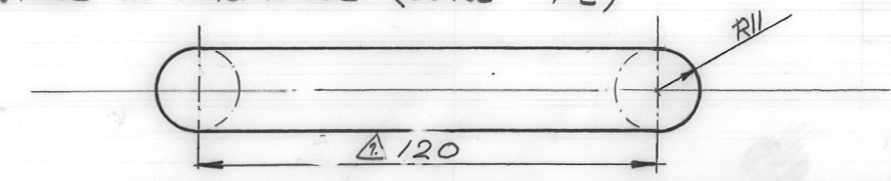


DETAIL: D (SEE TEMPORARY SUPPLEMENT (A4))



NO SHARP CORNER. BARRELING SHALL BE VERY WELL DONE.
 RADIUS SYMBOLS: $\circ = R1.5$, $x = R3$

MOUNTING HOLE IN MASTWALL: (SCALE 1:2)



FILE: 1530

| Nr. | Ant. | Ändring | Datum | Sign. |
|-----|------|---|--------|-------|
| 2 | 1 | 21.5 ± 0.5 WAS 21 (SEE TEMPORARY SUPPLEMENT | 060821 | MAL |
| A | 1 | MEASURE AT MOUNTING HOLE CHANGED. 120 → 125 | 820607 | CHB |

| Nr | Ant. | Benäm. | Dimension | Material | Det-nr |
|--|---------|--|-----------------------------|----------|-----------|
| | | | | SIS 2343 | |
| | | SELDÉN MAST AB GÖTEBORG · SWEDEN | SLOT FITTING WIDTH 18 MM | | |
| Toleranser för icke direkt tolerans satta mätt enl. SMS715 | | | | | |
| Ritad: | Datum | Skala: | Ersätter/Ersättes av | Godkänd: | Ritn. nr: |
| CHB | 8/10/12 | 1:1 (1:2) | | PoB | 505-021 |