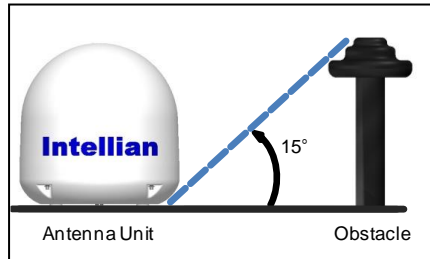


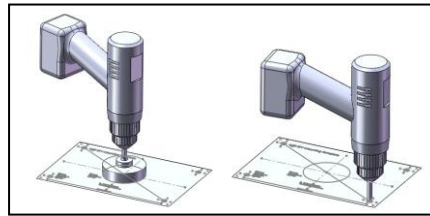
Intellian i3/i4/i4P/i6/i6P/i6PE/i6W Quick Installation Guide

1. Select a location for the antenna.



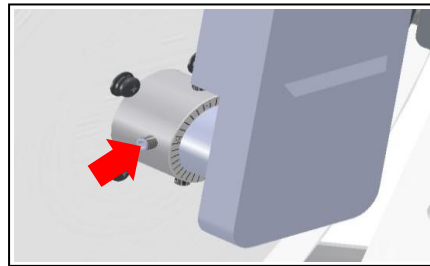
- Make sure nearby objects do not block the antenna.
- Avoid unnecessary motion by locating the antenna as near as to the centerline of the boat.

2. Prepare the mount



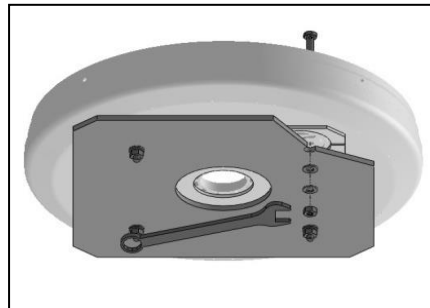
- Attach the installation template to the mounting surface using adhesive tape.
- Remove the shaded center portion by using a hole saw.
- Drill 4 bolt holes.

3. Prepare the Antenna



- Open the antenna upper dome and remove the foam transit restraints from the antenna base.
- Adjust the LNB Skew Angle (Linear Polarization Only). *USA/Japan/Korea is not required to adjust.*
 - ◆ Loosen screws of the connection of LNB and feed horn.
 - ◆ Tighten screws after adjusting the LNB position.

4. Secure the Antenna



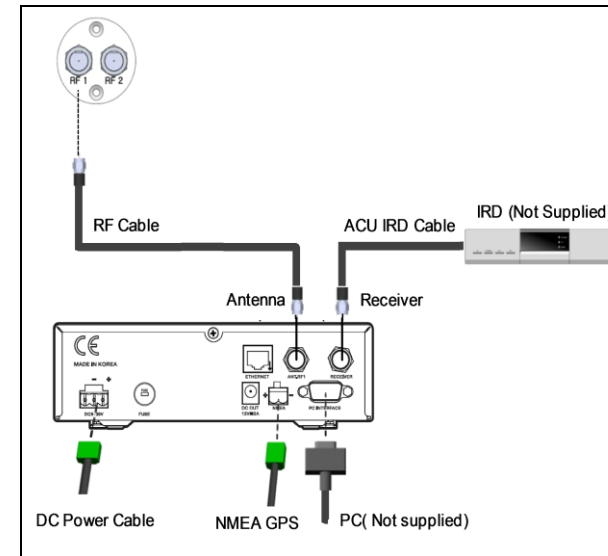
- Secure the antenna to the mount base using bolts, spring washers, and flat washers.



WARNING

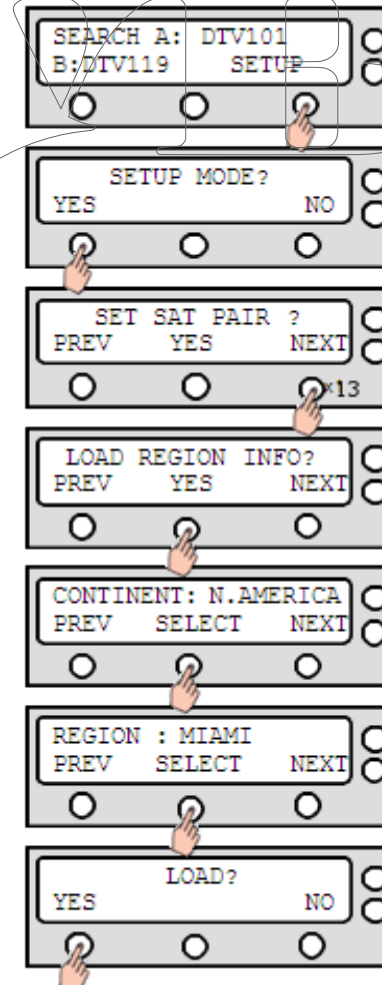
Be sure to put the radome on while operating the system. The system functions will be abnormal if the radome is off.

5. Connect the System Cables



- Connect the RF Cable from the RF 1 connector on the antenna to the ANT. RF1 connector on the rear of ACU.
- Connect the ACU IRD Cable from the RECEIVER connector on the rear of the ACU to RF on the IRD.
- Connect the power cable from the DC power connector on the rear of ACU to a power source of DC (10.8~15.6V).

6. Set Region (Nation/City) in ACU



- Turn on the ACU power and you will see USA DTV101 and DTV 119 as the default.



WARNING

The system functions will be abnormal if you do not set a correct continent and region.

- Please select your region (Nation/City) after selecting the continent. Once the SET REGION has been done, you will not need to adjust GPS and the target tracking satellites. The setting steps as below.
 - ◆ Enter SETUP MODE and Press NEXT 13 times to enter LOAD REGION INFO menu.
 - ◆ Select CONTINENT and Press NEXT to select alternative continents.
 - ◆ Select REGION and Press NEXT to select alternative Nation/City.
 - ◆ Press YES to load the region setting.