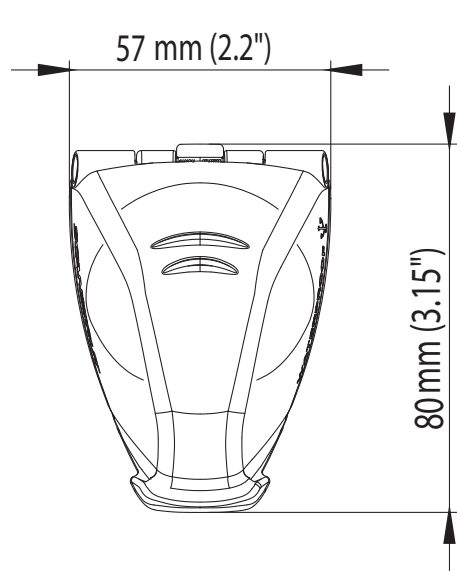
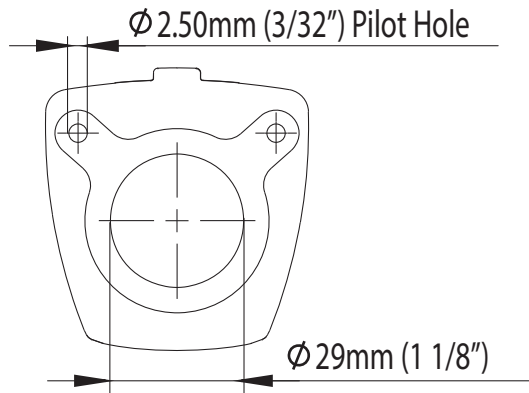


Waterproof USB Dual Charge Socket (12-24V) - **SC-USB-01**

For help & information
email: technical@scanstrut.com
tel: +44 (0) 1803 863800



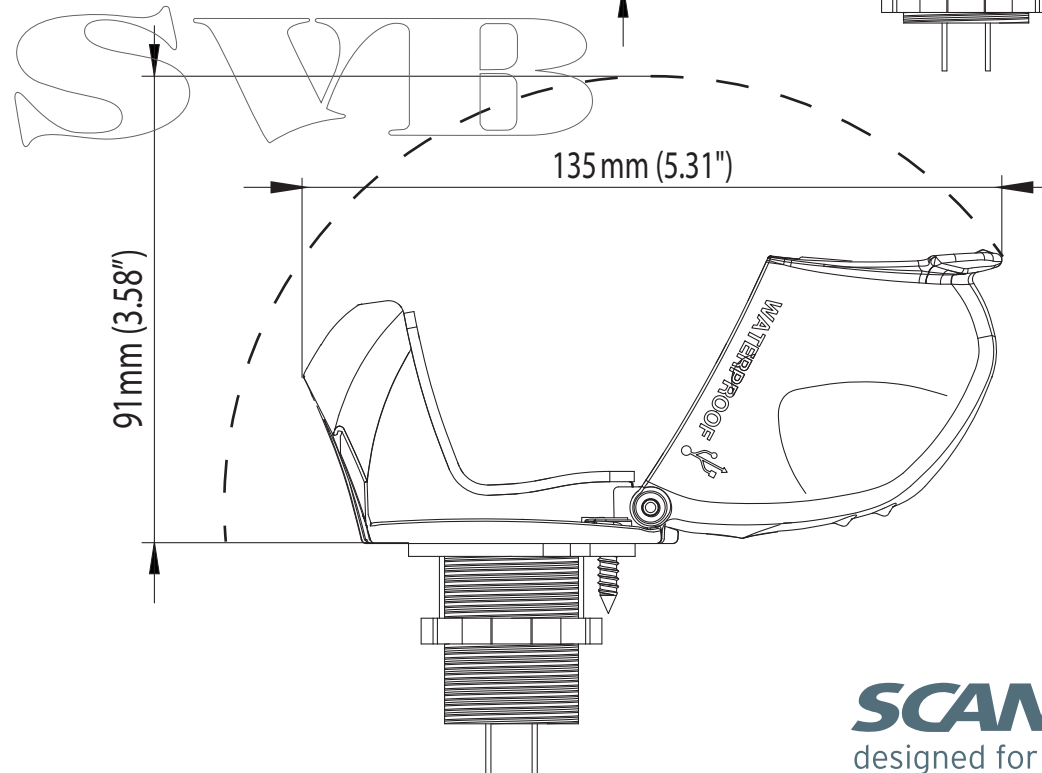
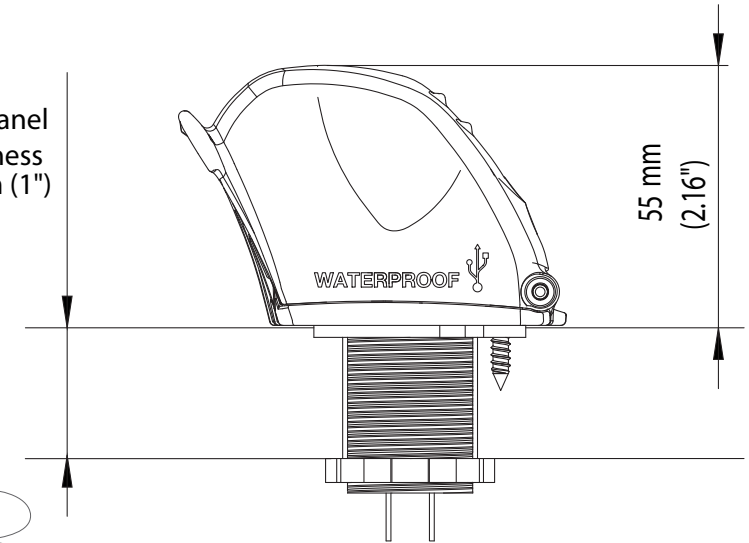
Hole Pattern



Electrical info:

- USB Input Voltage Range 6-30V
- USB Output Voltage 5V +/- 5%
- Output Current 3.1A (Total)

Max Panel
Thickness
25mm (1")



SCANSTRUT
designed for life at sea

