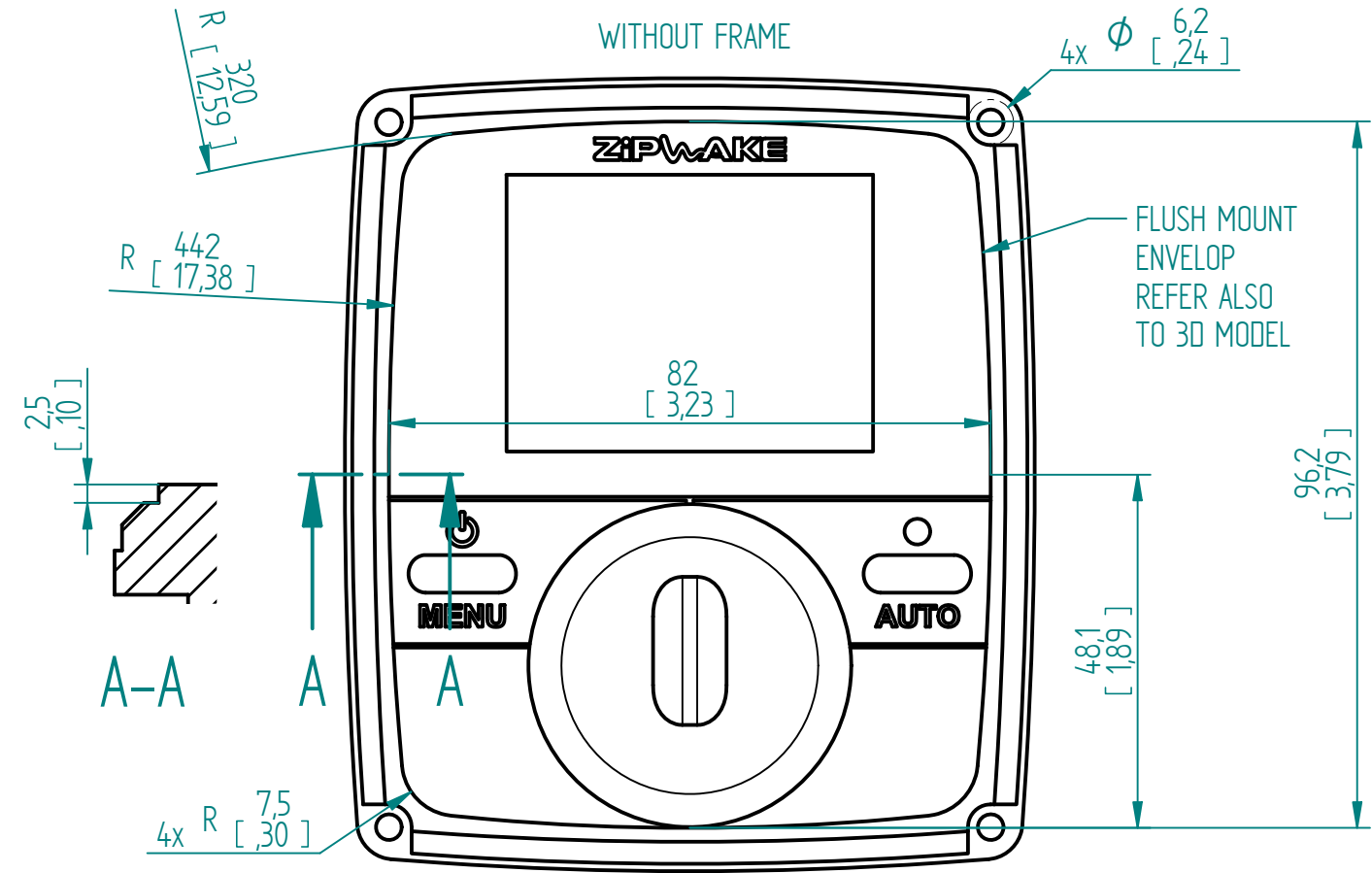
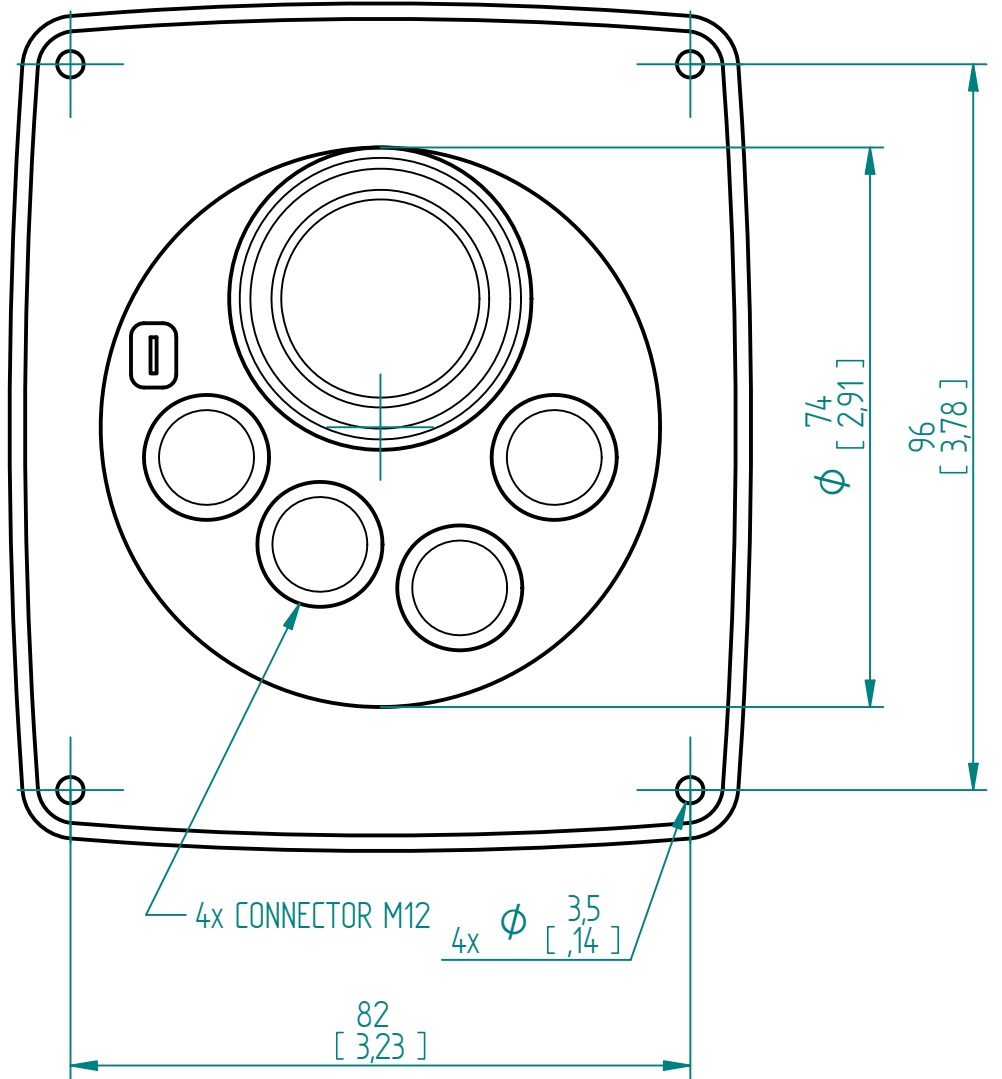
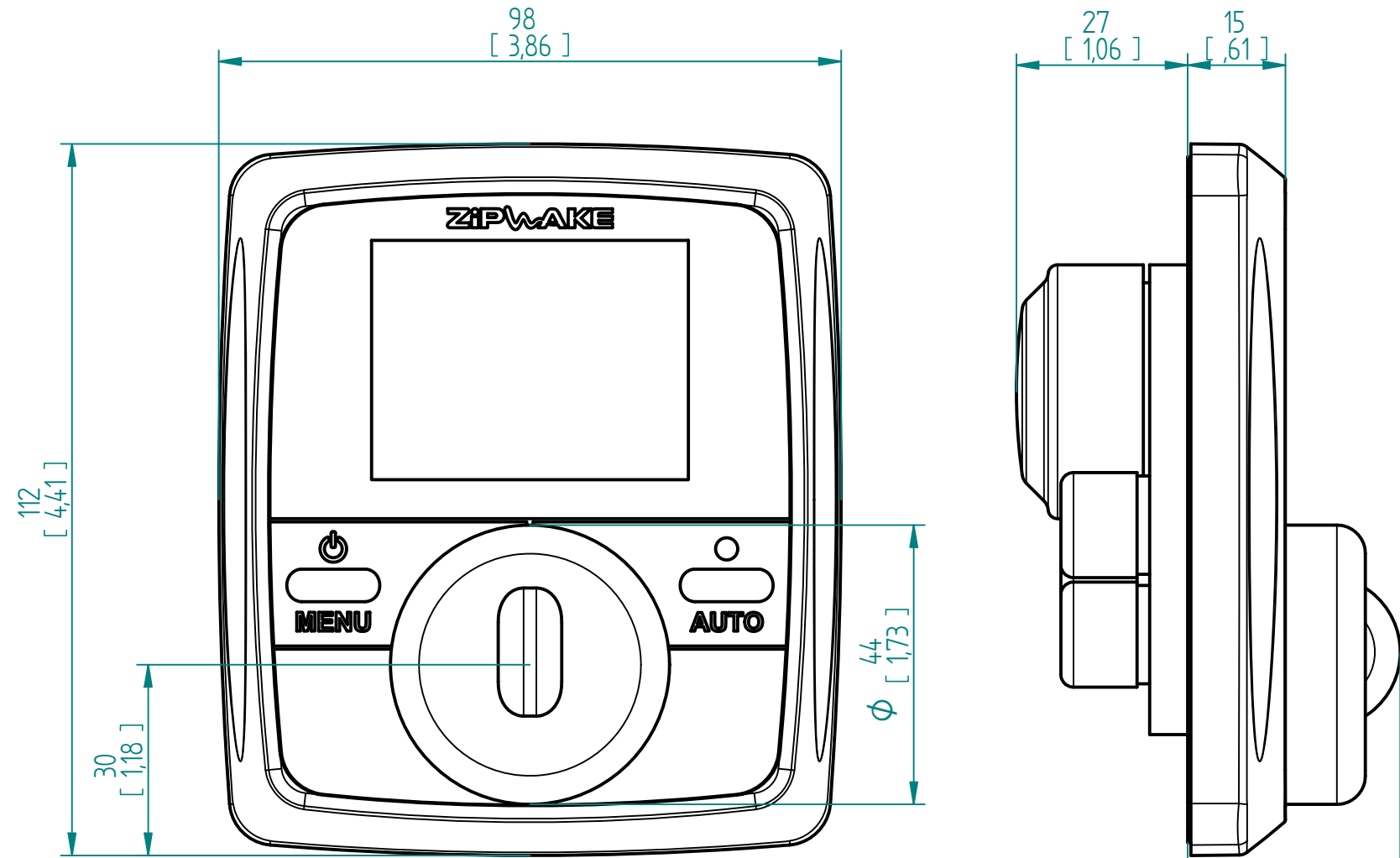


| REV | DESCRIPTION | DATE | APPROVED |
|-----|-------------|------|----------|
|     |             |      |          |



FLUSH MOUNT ENVELOP REFER ALSO TO 3D MODEL

|   |  |      |                      |                 |                |     |
|---|--|------|----------------------|-----------------|----------------|-----|
| www.zipwake.com   | ALL DIMENSIONS IN: mm<br>DIMENSIONS WITHIN BRACKETS: [Inches]  |      | DO NOT SCALE DRAWING |                 | <b>ZIPWAKE</b> |     |
|   | COPYRIGHT 2015. ALL RIGHTS RESERVED BY ZIPWAKE AB. THE INFORMATION CONTAINED IN THIS DRAWING SHALL NOT BE REPRODUCED IN PART OR AS A WHOLE WITHOUT THE PRIOR WRITTEN PERMISSION OF ZIPWAKE AB. |      |                      |                 |                |     |
|   |  | NAME | DATE                 | SIZE            | DWG. NO.       | REV |
|   | DRAWN  | JD   | 160410               | A3              | 3015041        | R1A |
| CHECKED   |  |      |                      |                 |                |     |
| APPROVED  |  |      |                      |                 |                |     |
| UNLESS OTHERWISE SPECIFIED GENERAL TOLERANCES ACCORDING TO ISO 2768-1-m |  |      | SCALE: 1:1           | WEIGHT: 0.22 kg | SHEET 1 OF 1   |     |