

PRODUCT SPECIFICATION

DYNAMIC TRIM CONTROL SYSTEM

SERIES S

SWIB



ZIPWAKE

CHOOSE COMFORT. ENJOY PERFORMANCE.

SWIB

TABLE OF CONTENTS

1	INTRODUCTION	4
1.1	MOTION CONTROL FEATURES	
1.2	PRODUCTS AND PARTS OVERVIEW	
2	KIT BOXES	7
2.1	KIT BOX CONTENT	
2.2	SPECIFICATIONS	
2.3	ORDERING DATA	
3	CONTROL PANEL	8
3.1	FEATURES	
3.2	SPECIFICATIONS	
3.3	INTERFACES	
3.4	DIMENSION DRAWINGS	
3.5	ORDERING DATA	
4	INTERCEPTORS	10
4.1	FEATURES	
4.2	SPECIFICATIONS	
4.3	DIMENSION DRAWINGS	
4.4	ORDERING DATA	
5	DISTRIBUTION UNIT	13
5.1	SPECIFICATIONS	
5.2	CONNECTORS	
5.3	DIMENSION DRAWINGS	
5.4	ORDERING DATA	
6	CABLES	15
6.1	SPECIFICATIONS	
6.2	ORDERING DATA	
7	CONTROL PANEL ALU FRAME	16
7.1	SPECIFICATIONS	
7.2	ORDERING DATA	
8	CONTROL PANEL COVER	16
8.1	SPECIFICATIONS	
8.2	ORDERING DATA	
9	CABLE COVER	17
9.1	SPECIFICATIONS	
9.2	DIMENSION DRAWINGS	
9.3	ORDERING DATA	
10	SERVO UNIT	18
10.1	SPECIFICATIONS	
10.2	ORDERING DATA	
11	INTERCEPTOR FRONTS	19
11.1	SPECIFICATIONS	
11.2	DIMENSION DRAWINGS	
11.3	ORDERING DATA	
12	EXTERNAL GPS ANTENNA	20
12.1	APPLICATION	
12.2	SPECIFICATIONS	
12.3	DIMENSION DRAWINGS	
12.4	PIN OUT	
12.5	ORDERING DATA	
13	WIRING DIAGRAM	22

PRODUCT SPECIFICATION
DYNAMIC TRIM CONTROL SYSTEM
SERIES S

Part number: 2011150
Release: R1E, December 2015
Language: English

Copyright © 2015 Zipwake AB, Sweden. All rights reserved.

1 INTRODUCTION

The Dynamic Trim Control System Series S incorporates a state-of-the-art family of durable, fast-acting Interceptors and unique 3D controls which provide the driver with unmatched, user-friendly, intuitive and precise control of running trim, heel or heading. The system is fully automatic and significantly enhances the boat's performance, fuel economy, comfort and safety.

KEY FEATURES

COMFORT AND SAFETY

Dynamically eliminates uncomfortable and dangerous boat pitch and roll.

PERFORMANCE AND FUEL ECONOMY

Automatically minimizes wave resistance and saves fuel.

INTUITIVE AND PRECISE CONTROL

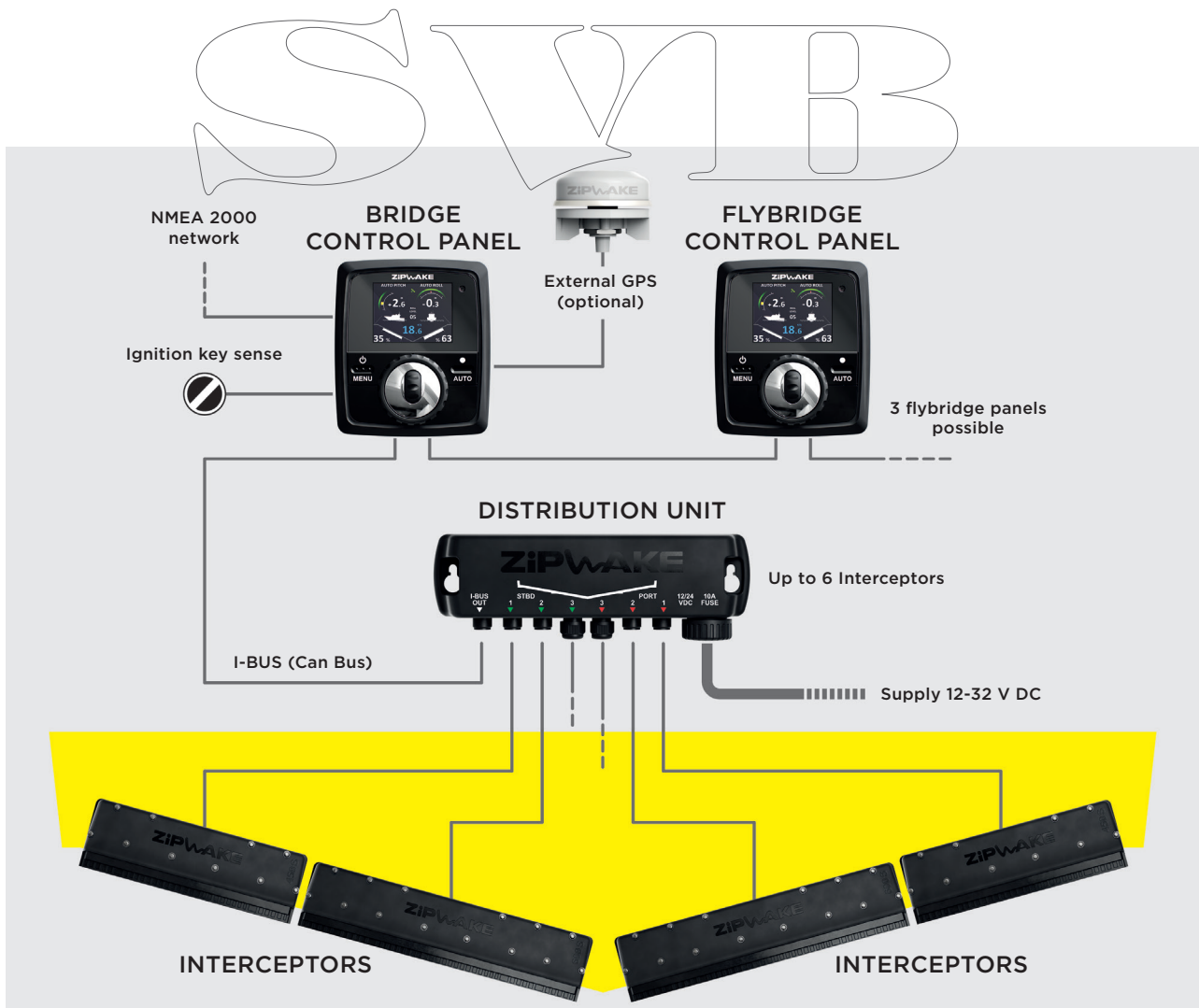
Innovative 3D controls provide unmatched control of running trim, heel or heading.

DURABLE AND EFFECTIVE

Patented series of durable fast-acting interceptors provide supreme lift force characteristics.

COMPLETE AND COMPETITIVE

All-inclusive mass-produced modular design provides built-in quality, simple installation and easy expansion, whilst making the system affordable.



1.1 MOTION CONTROL FEATURES

Mode	Motion	Feature description	Standard	Future
Automatic	Roll	Active roll control	•	
		Advanced turn recognition	•	
		Coordinated turns	•	
		Easy sensitivity control	•	
	Pitch	Curve-based pitch control	•	
		Pitch-offset control with quick save	•	
		Easy manipulation of pitch control curve	•	
		Basic pitch control curve from boat dimensions	•	
	Yaw	Auxiliary steering, controllable by other onboard system		•
	Manual	Roll	List control	•
Speed-progressive control wheel			•	
Pitch		Trim control	•	
		Speed-progressive control wheel	•	
Yaw		Steering control (calm sea or emergency steering)	•	
		Speed-progressive control wheel	•	

For details refer to the Operator's Manual.

1.2 PRODUCTS AND PARTS OVERVIEW

Zipwake products and parts come as Kit Boxes, Accessories or Spare Parts.

Model	Part No.	Description	Kit Box Contents				Accessory	Spare Part
			Kit Box Part No.	2011145	2011146	2011147		
			KB300-S	KB450-S	KB600-S	KB750-S		
CP-S	2011238	Control Panel S with Standard Cable 7 M	1	1	1	1	●	●
DU-S	2011239	Distribution Unit S with Power Cable 4 M	1	1	1	1	●	●
IT300-S	2011232	Interceptor 300 S with Cable 3 M & Cable Covers	2				●	●
IT450-S	2011233	Interceptor 450 S with Cable 3 M & Cable Covers		2			●	●
IT600-S	2011234	Interceptor 600 S with Cable 3 M & Cable Covers			2		●	●
IT750-S	2011235	Interceptor 750 S with Cable 3 M & Cable Covers				2	●	●
EC1.5-M12	2011258	M12 Extension Cable 1.5 M	1	1			●	●
EC3-M12	2011259	M12 Extension Cable 3 M			1	1	●	●
EC5-M12	2011260	M12 Extension Cable 5 M					●	●
EC10-M12	2011261	M12 Extension Cable 10 M					●	●
SC7-M12	2011257	M12 Standard Cable 7 M					●	●
CP-S ALU FRAME	2011281	Control Panel S Alu Frame					●	●
CP-S COVER	2011381	Control Panel S Cover, White					●	●
	2011382	Control Panel S Cover Light gray					●	●
	2011383	Control Panel S Cover Mid gray					●	●
	2011384	Control Panel S Cover Dark gray					●	●
	2011385	Control Panel S Cover Black					●	●
CC-S	2011071	Cable Cover S					●	●
SU-S	2011230	Servo Unit S with Cable 3 M						●
IT300-S FRONT	2011252	Interceptor 300 S Front						●
IT450-S FRONT	2011253	Interceptor 450 S Front						●
IT600-S FRONT	2011254	Interceptor 600 S Front						●
IT750-S FRONT	2011255	Interceptor 750 S Front						●
GPU	2011240	Global Positioning Unit with Cable 5 M & Mount Kit					●	●

2 KIT BOXES

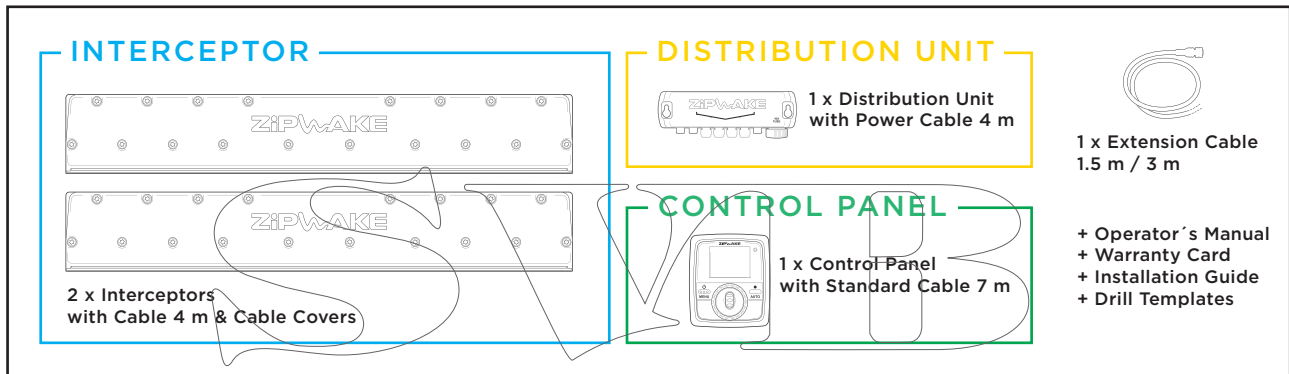
A Kit Box includes all parts needed to install a Dynamic Trim Control System with one pair of fast-acting interceptors. There are four different Kit Boxes, one for each interceptor model.

- Kit Box 300 S
- Kit Box 450 S
- Kit Box 600 S
- Kit Box 750 S



2.1 KIT BOX CONTENT

Each Kit Box includes:



Any base installation can be expanded with up to two extra pairs of Series S interceptors, thus allowing a total of six interceptors without any need for additional connectors or power supply.

2.2 SPECIFICATIONS

Model	KB300-S	KB450-S	KB600-S	KB750-S	
Width	680 (26.8)	680 (26.8)	980 (38.6)	980 (38.6)	mm (in)
Depth	156 (6.1)	156 (6.1)	156 (6.1)	156 (6.1)	mm (in)
Height	274 (10.8)	274 (10.8)	274 (10.8)	274 (10.8)	mm (in)
Weight	7.0 (15.3)	8.5 (18.7)	10.6 (23.3)	11.7 (25.8)	kg (lbs)

See Section 1.2 for details of the contents of each Kit Box.

2.3 ORDERING DATA

Model	KB300-S	KB450-S	KB600-S	KB750-S	
Part No.	2011145	2011146	2011147	2011148	

3 CONTROL PANEL

Zipwake's unique 3D controls provide the driver with user-friendly, intuitive and precise control of running trim, heel or heading that is unmatched. Integral, high-frequency GPS, 3D gyro sensors and a robust motion controller all come as standard along with a sunlight readable color display.

Push the AUTO button and the system automatically eliminates uncomfortable and dangerous boat pitch and roll dynamically. It also minimizes wave resistance and saves fuel.



3.1 FEATURES



- Fully automatic
 - Dynamic pitch and roll control
 - Steering and turn enhancement
- Built-in GPS and motion sensors
- Unique and intuitive 3D controls
- Sunlight readable color display
- Instant state user feedback
- Auto power on/off via ignition key sense
- Full range of electrical interfaces
- Waterproof
- Auto dimming / night mode
- Upgradable via USB stick
- Up to four control panels in the system
- Surface or flush mount

3.2 SPECIFICATIONS

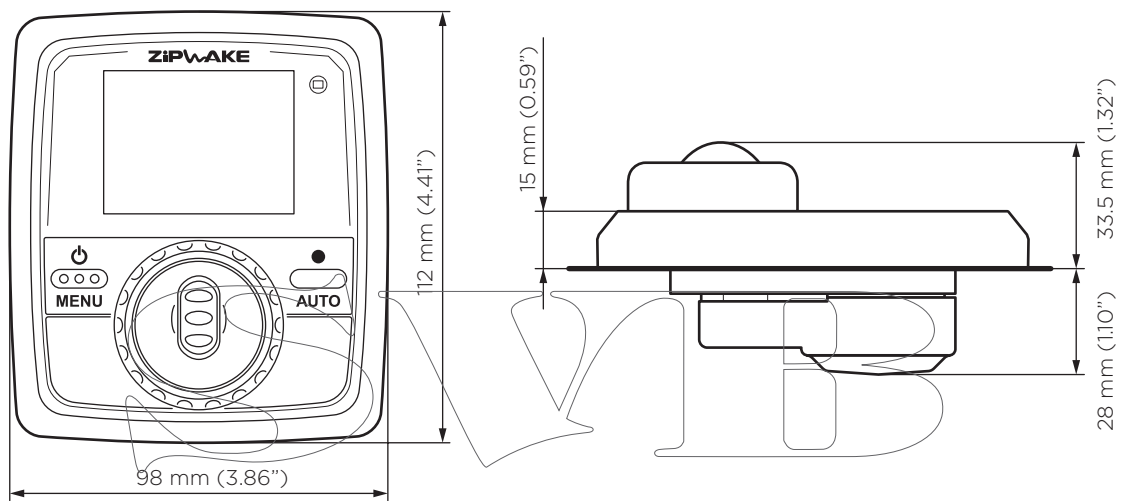
Model	CP-S
Display	2.4" Transflective color TFT, 320 x 240 pixels, double-sided, anti-reflection coated window
Internal Sensors	5 Hz GPS, 3D Gyro, 3D Accelerometer, Ambient light
Supply Voltage	12 - 32 V DC
Power Consumption	10 W max
Operating Temperature	-20° to +85°C (-4° to +185°F)
Storage Temperature	-40° to +90°C (-40° to +194°F)
Waterproof Rating	IP67 / IP64 (front / back)
Compass Safe distance	0.5 m (1.7 ft)
Compliance	CE, FCC
Weight	0.22 kg (0.49 lbs)
Mounting	Flush or surface

3.3 INTERFACES

- I-BUS IN (CAN bus)
- I-BUS OUT (CAN bus)
- NMEA 2000
- Key Sense
- USB Device Port (Type A)
- USB Host Port (Type B)
- External GPS (NMEA 0183 / RS232 auto baud-rate sensing)



3.4 DIMENSION DRAWINGS



3.5 ORDERING DATA

Model	CP-S
Part No.	2011238 with Standard Cable 7 m

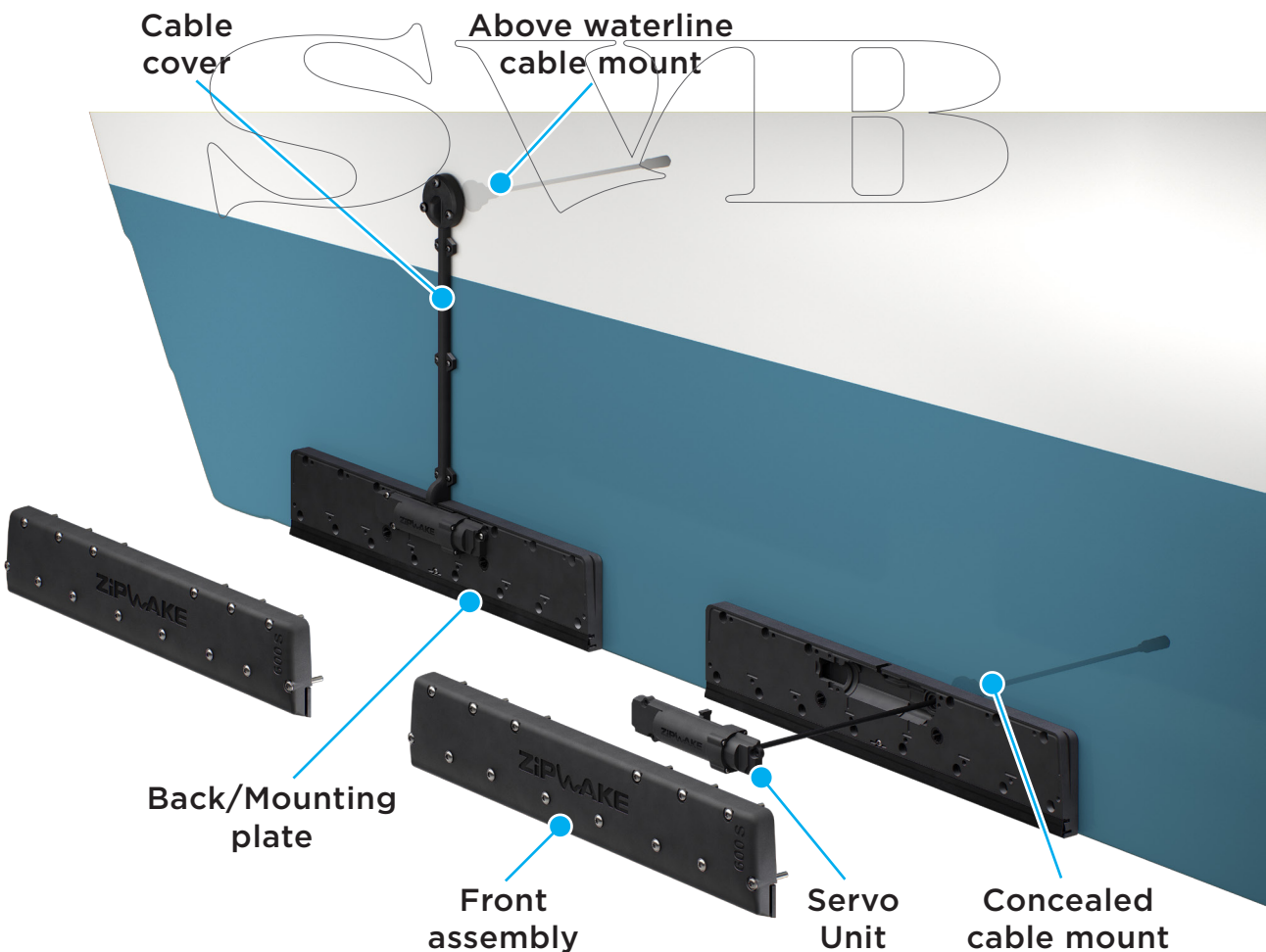
- Included in Kit Boxes
- Available as Accessory
- Available as Spare Part

4 INTERCEPTORS

Series S incorporates a state-of-the-art family of four durable, fast-acting interceptors. This first-ever modular design made for mass production makes the interceptors durable, affordable and perfectly adapted to any planing or semi-planing boat between 6 m and 18 m (20-60ft).

All components have been meticulously engineered to withstand impact and avoid water ingress, minimizing the risk of costly maintenance and downtime. Interceptor or blade actuation takes place by way of a calibration-free submersible electric servo within the interceptor unit. Its natural water cooling provides excellent working conditions for the brushless DC servo motor, which runs on 12-32 volts. The blade stroke takes 1.5 seconds, outperforming conventional trim tabs by at least a factor of 5.

Installation is made easy with an integral mounting plate and the option of a concealed or above-waterline, self-sealing, thru-hull cable fitting. The preferred mounting option is achieved by simply routing the servo cable differently, as shown below. Each interceptor comes with the thru-hull cable fitting, cable covers and a practical drill template.



Different-sized interceptors can be favorably combined to span as much of the transom edge as possible. A full beam is always the optimal arrangement from a lift-to-drag ratio point of view.

4.1 FEATURES

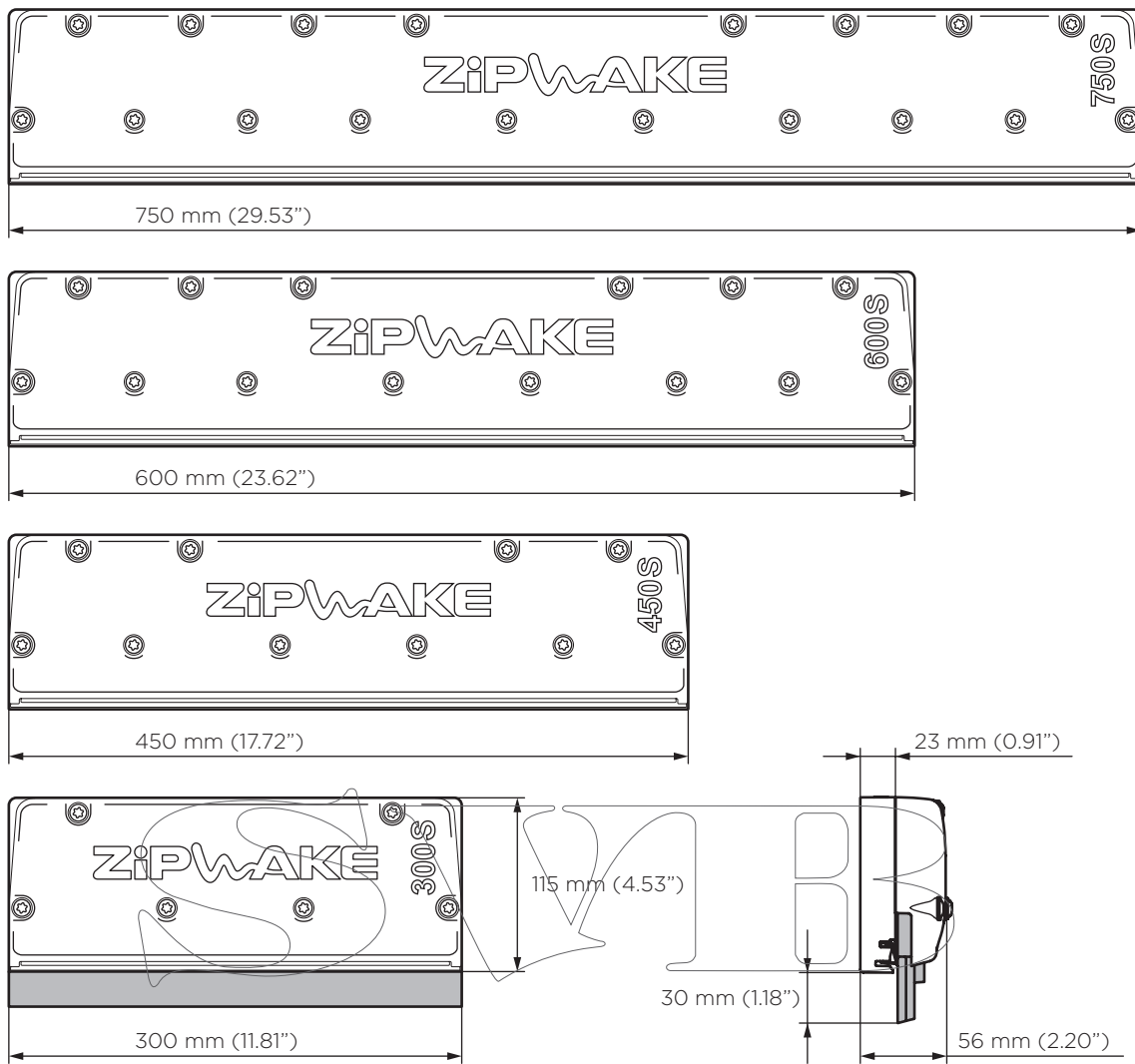


- True outboard mount
- Modular design
- Fast actuation
- Integrated mounting plate
- Thru-hull fitting options
 - Above waterline
 - Concealed behind interceptor
- Submersible servo units
 - Brushless 12-24V DC servo motor
 - High-precision positioning
 - Calibration free
 - Durable and accessible
- No corrosive materials

4.2 SPECIFICATIONS

Model	IT300-S	IT450-S	IT600-S	IT750-S	
Length	300 (12)	450 (18)	600 (24)	750 (30)	mm (in)
Weight	2.1(4.6)	2.8 (6.2)	3.5 (7.7)	4.0 (8.8)	kg (lbs)
Max. Boat Speed	60 knots				
Blade Stroke	30 mm (1.2 in)				
Blade Rate	20 mm/s (0.8 in/s)				
Thru-Hull Cable Fitting	Concealed or above waterline				
Servo actuator	SU-S				
Cable Length	3 m (10 ft), extendable up to 6 m (20 ft)				
Cable Material	PUR				
Connector	M12 5-pin circular				
Connector Diameter	14.5 mm (0.57 in)				
Supply Voltage	12 - 32 V DC				
Power Consumption	25 W max				
Operating Temperature	0° to +40°C (+32° to +104°F)				
Storage Temperature	-40° to +90°C (-40° to +194°F)				
Waterproof Rating	IP68 5 m (16 ft)				
Compliance	CE, FCC				

4.3 DIMENSION DRAWINGS



4.4 ORDERING DATA

Model	IT300-S	IT450-S	IT600-S	IT750-S	
Part No.	2011232	2011233	2011234	2011235	
Comes with Cable 3 m and Cable Covers					

- Included in Kit Boxes
- Available as Accessory
- Available as Spare Part

5 DISTRIBUTION UNIT

The Distribution Unit supplies the system with power and can accommodate up to six Series S interceptors.

The unit is connected to the main control panel. It is robust, waterproof, oil resistant and ignition protected for mounting in an engine room.

The power cable is included for easy connection to a battery. The distribution unit has built-in electrical protection, including its own protection fuse.

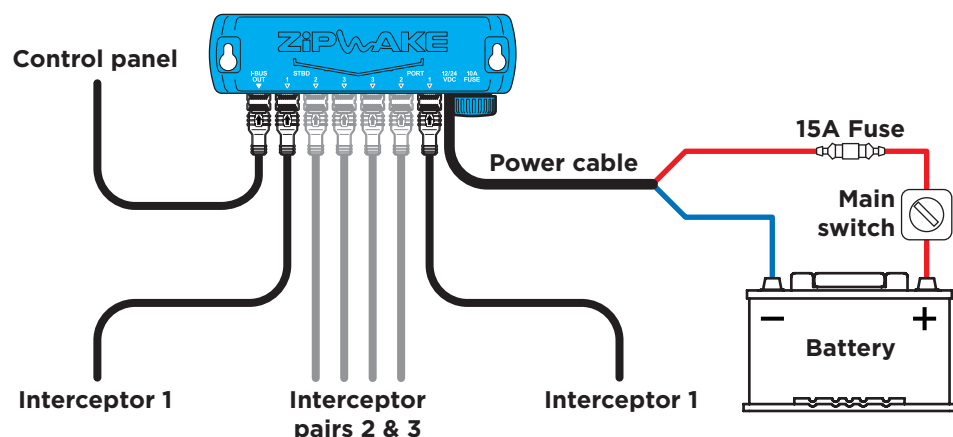


5.1 SPECIFICATIONS

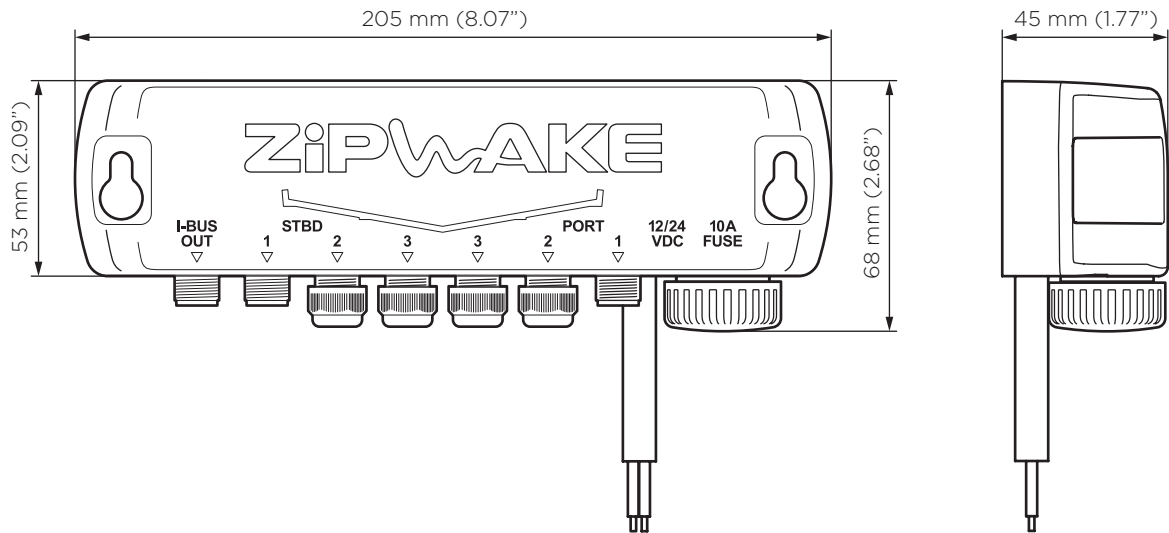
Model	DU-S
Supply Voltage	12 - 32 V DC
Power Consumption	0.1 W max
Protection Fuse	10 A ATO
Power Cable	Length 4 m (13 ft), Diameter 9 mm (0.35 in), 12 AWG
Operating Temperature	-20° to +85°C (-4° to +185°F)
Storage Temperature	-40° to +90°C (-40° to +194°F)
Waterproof Rating	IP67 with cables and/or protective caps mounted
Oil resistance	Common engine fluids
Compliance	CE, FCC, SAEJ1171 Ignition Protected
Weight	1.0 kg (2.2 lbs) including the power cable

5.2 CONNECTORS

- Six interceptor connections
- I-BUS OUT (power and CAN bus to control panels)
- 2-lead power cable



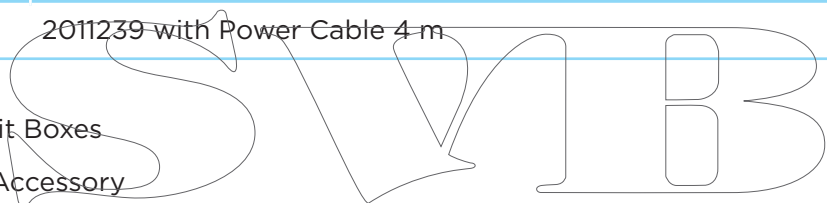
5.3 DIMENSION DRAWINGS



5.4 ORDERING DATA

Model	DU-S
Part No.	2011239 with Power Cable 4 m

- Included in Kit Boxes
- Available as Accessory
- Available as Spare Part



6 CABLES



Model	Description
SC7-M12	Standard Cable 7 m (23 ft)
EC1.5-M12	Extension Cable 1.5 m (5 ft)
EC3-M12	Extension Cable 3 m (10 ft)
EC5-M12	Extension Cable 5 m (16 ft)
EC10-M12	Extension Cable 10 m (33 ft)

The Standard Cable is used to connect the main control panel to the distribution unit, usually located on or near the transom. This cable is also used to connect the main panel to the next panel, e.g. the flybridge. The Standard Cable can be extended by using any of the available extension cables.

The servo unit cable can be extended using 1.5 m or 3 m extension cables. The total servo cable length must not exceed 6 m (20 ft).

6.1 SPECIFICATIONS

Model	SC7-M12	EC1.5-M12	EC3-M12	EC5-M12	EC10-M12	
Weight	0.38 (0.84)	0.10 (0.22)	0.18 (0.40)	0.28 (0.62)	0.56 (1.23)	kg (lbs)
Connectors	M12 5-pin circular					
Connector Diameter	14.5 mm (0.57 in)					
Cable Material	Black PVC					
Rated Current	4 A					
Waterproof Rating	IP67 when connected					
Operating Temperature	-20° to +85°C (-4° to +185°F)					
Storage Temperature	-40° to +90°C (-40° to +194°F)					
Oil Resistance	Common engine fluids					
Compliance	CE, FCC					

6.2 ORDERING DATA

Model	SC7-M12	EC1.5-M12	EC3-M12	EC5-M12	EC10-M12	
Part No.	2011257	2011258	2011259	2011260	2011261	

- Included in Kit Boxes (see Kit Box Contents in Section 1.2 for included lengths)
- Available as Accessory
- Available as Spare Part

7 CONTROL PANEL ALU FRAME

The control panel of Series S comes with a black frame and a wheel cap with a chrome appearance. A conversion kit is available for those who prefer a brushed aluminum appearance. The kit includes simple instructions that make changing an easy task.



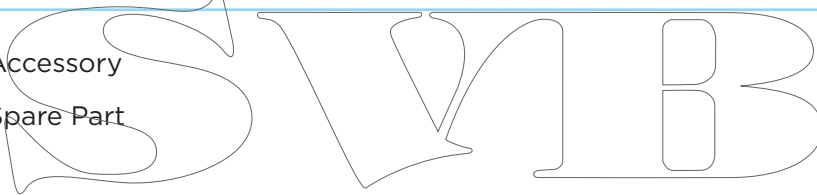
7.1 SPECIFICATIONS

Model	CP-S ALU FRAME
Surface appearance	Brushed aluminum
Items in kit	1 x Frame, 1 x Wheel cap, 1 x Instructions
Weight	0.03 kg (0.06 lbs)

7.2 ORDERING DATA

Model	CP-S ALU FRAME
Part No.	2011281

- Available as Accessory
- Available as Spare Part



8 CONTROL PANEL COVER

Weather cover for the Series S control panel. Protects the display from the harsh marine environment when not in use. Fits standard surface mounted CP-S instrument. Available in five different colors to blend in with other instruments.



8.1 SPECIFICATIONS

Model	CP-S COVER
Surface appearance	Five different colors, soft-touch
Weight	0.05 kg (0.11 lbs)

8.2 ORDERING DATA

Model	CP-S COVER				
Color	<input type="checkbox"/> WHITE	<input type="checkbox"/> LIGHT GRAY	<input type="checkbox"/> MID GRAY	<input type="checkbox"/> DARK GRAY	<input type="checkbox"/> BLACK
Part No.	2011381	2011382	2011383	2011384	2011385

- Available as Accessory
- Available as Spare Part

9 CABLE COVER

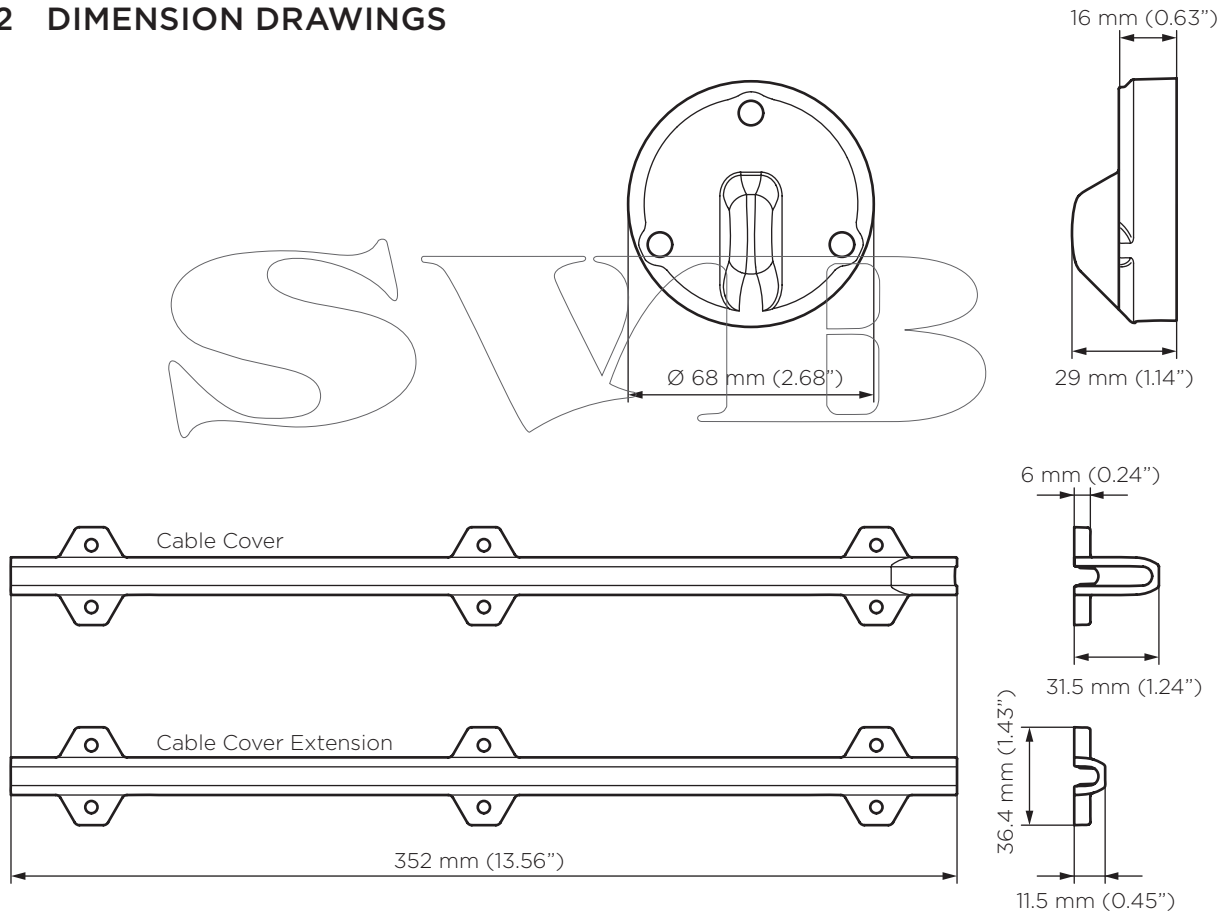
The thru-hull cable fitting of Series S interceptors can either be concealed behind the interceptor or positioned above the waterline. If the above-waterline mount is preferred, three parts are available to protect the cable: thru-hull cover, cable cover and a cable cover extension.

These parts are available as a cable cover kit to provide flexible routing of the cable on the transom.

9.1 SPECIFICATIONS

Model	CC-S
Items in kit	1 x Thru-hull cover, 1 x Cable cover 1 x Cable cover extension
Weight	0.18 kg (0.26 lbs)

9.2 DIMENSION DRAWINGS



9.3 ORDERING DATA

Model	CC-S
Part No.	2011071 - Comes with each Interceptor, part numbers 2011232-2011235

- Available as Accessory
- Available as Spare Part

10 SERVO UNIT

The Series S submersible electrical Servo Unit fits inside the interceptor, where it drives with precision the mechanism that provides linear motion to the interceptor blades. The unit is fast-acting, durable, calibration free and easy to install or replace. It comes with a rugged 3m cable with self-sealing thru-hull fitting.



10.1 SPECIFICATIONS

Model	SU-S
Servo Motor Type	Brushless DC with Hall sensors
Supply Voltage	12 - 32 V DC
Power Consumption	25 W max
Operating Temperature	0° to +40°C (+32° to +104°F)
Storage Temperature	-40° to +90°C (-40° to +194°F)
Waterproof Rating	IP68 5 m (16 ft)
Compliance	CE, FCC
Cable Length	3 m (10 ft), extendable up to 6 m (20 ft)
Cable Material	PUR
Connector	M12 5-pin circular
Connector Diameter	14.5 mm (0.57 in)
Weight	0.75 kg (1.7 lbs) including cable

10.2 ORDERING DATA

Model	SU-S
Part No.	2011230 with Cable 3m

- Available as Spare Part

11 INTERCEPTOR FRONTS

A front assembly comprises the interceptor's front housing, blade and assisting roller blade, the small parts that deal with blade linear motion and the set of screws required to mount the front to the back plate.



The front assemblies of the Series S interceptors have been designed to mitigate further damage to the interceptor in the rare event of contact with floating debris. Each interceptor model's front assembly is therefore available as a spare part.

11.1 SPECIFICATIONS

Refer to interceptor specifications in Section 4.2.

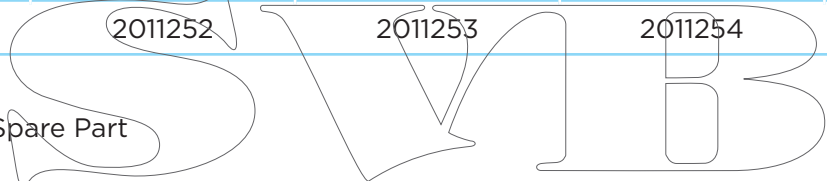
11.2 DIMENSION DRAWINGS

Refer to interceptor dimension drawings in Section 4.3.

11.3 ORDERING DATA

Model	IT300-S FRONT	IT450-S FRONT	IT600-S FRONT	IT750-S FRONT
Part No.	2011252	2011253	2011254	2011255

- Available as Spare Part



12 EXTERNAL GPS ANTENNA

The Zipwake external GPS antenna is a 5Hz, 20-channel receiver with excellent reception that provides accurate and rapid vessel position and speed updates. Vessel speed is necessary input for the Zipwake's automatic motion controller. The antenna has a rugged construction, is fully waterproof and can be pole or surface mounted on any vessel.



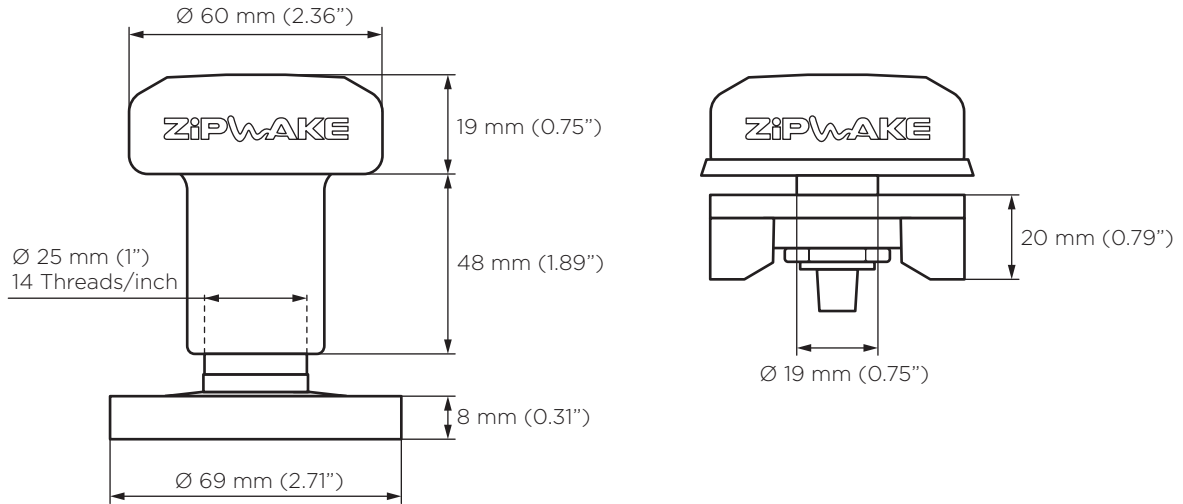
12.1 APPLICATION

The external GPS is optional and intended to be used when no other strong GPS signal is available for the Zipwake system, e.g. when the vessel has just one helm station with a shielding top (roof) and lacks other accessible GPS sources. In this case, the external GPS antenna is a good solution. Its 5 m cable can be extended up to 15 m using Zipwake extension cables. It connects easily to the connector marked EXT GPS on the back of the control panel. The external GPS can be connected to any control panel installed in the system.

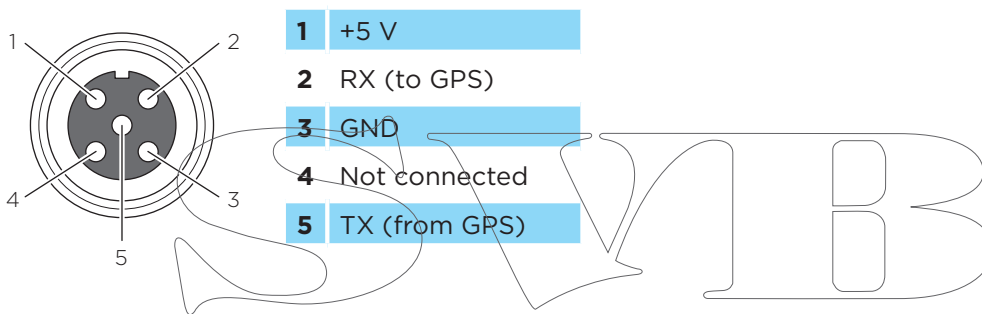
12.2 SPECIFICATIONS

Model	GPU
Connectors	M12 5-pin circular
Cable Material	White PVC
Cable Length	5 m (16 ft) extendable to max 15 m (49 ft)
Supply Voltage	5 V DC \pm 5%
Power Consumption	0.28 W, 55 mA (average)
Protocol	NMEA 0183 / RS232
NMEA Sentences	RMC, VTG, GGA, GSA, GSV, GLL
Baud Rate	38400
Update Rate	5 Hz
Number of Channels	20
Average Time to First Fix	Hot start 6 s, Warm start 38 s, Cold start 42 s
Operating Temperature	-30° to +85°C (-22° to +185°F)
Storage Temperature	-40° to +95°C (-40° to +203°F)
Waterproof Rating	IP67
Compliance	CE, FCC
Weight	0.065 kg (0.14 lbs) without cable and connector
Mounting	Flush or pole

12.3 DIMENSION DRAWINGS



12.4 PIN OUT



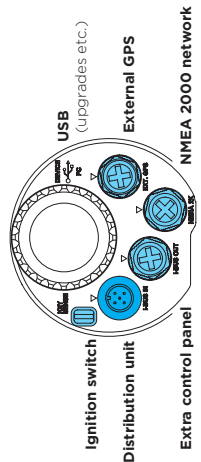
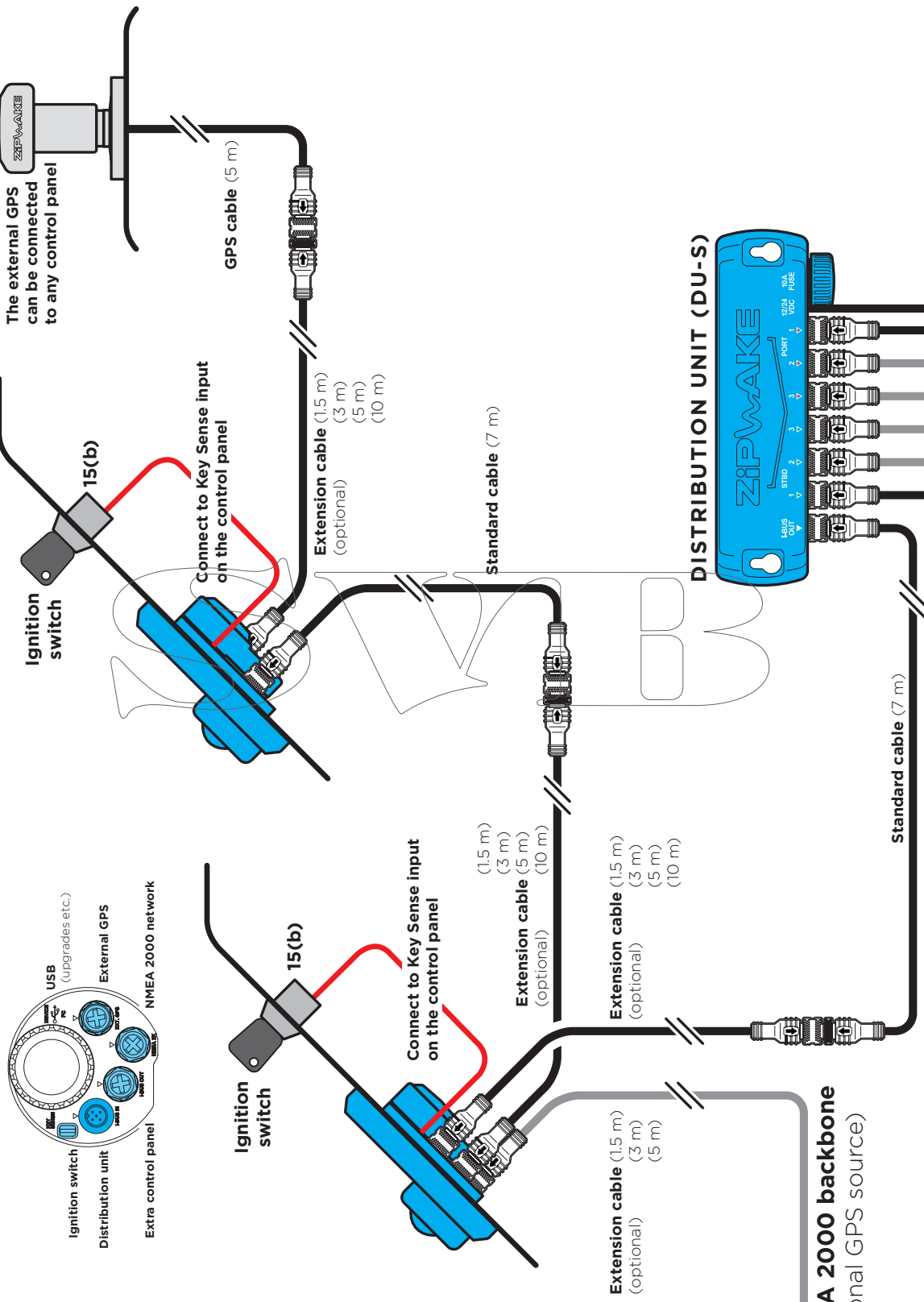
12.5 ORDERING DATA

Model	GPU
Part No.	2011240 with Cable 5 m and Mount Kit

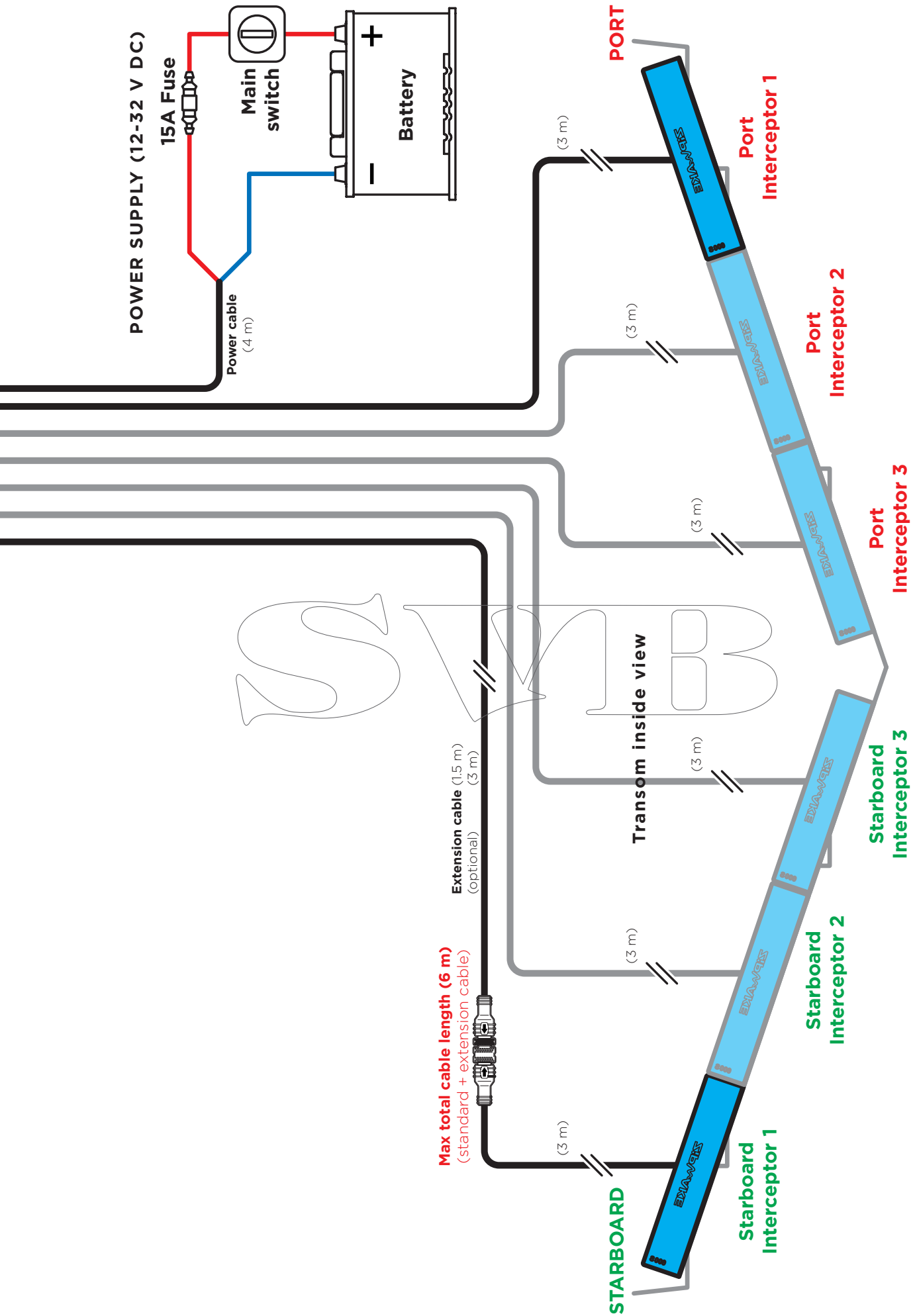
- Available as Accessory
- Available as Spare Part

13 WIRING DIAGRAM

MAIN CONTROL PANEL (CP-S) EXTRA CONTROL PANEL (CP-S) EXTERNAL GPS (GPU)



To NMEA 2000 backbone
(optional GPS source)



SMB

ZIPWAKE

CHOOSE COMFORT. ENJOY PERFORMANCE.