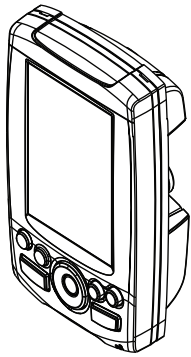
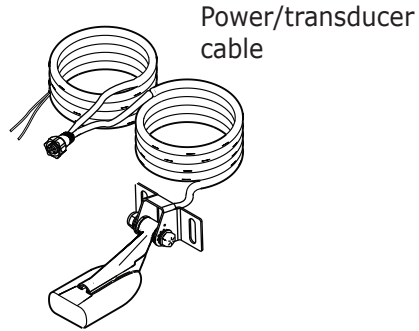


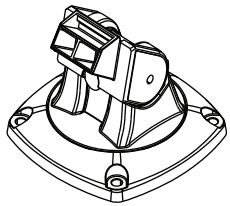
Supplied parts



HOOK-3x or
HOOK-3x DSI



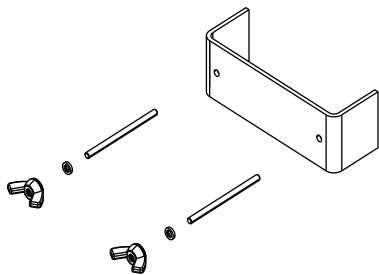
Power/transducer
cable



Quick release bracket

SVMB

Optional flush mount kit sold separately
(000-10662-001)



For technical specifications,
refer to the Operator manual
or to the product website on:



lowrance.com



* 9 8 8 - 1 1 0 5 8 - 0 0 1 *

LOWRANCE

HOOK-3x

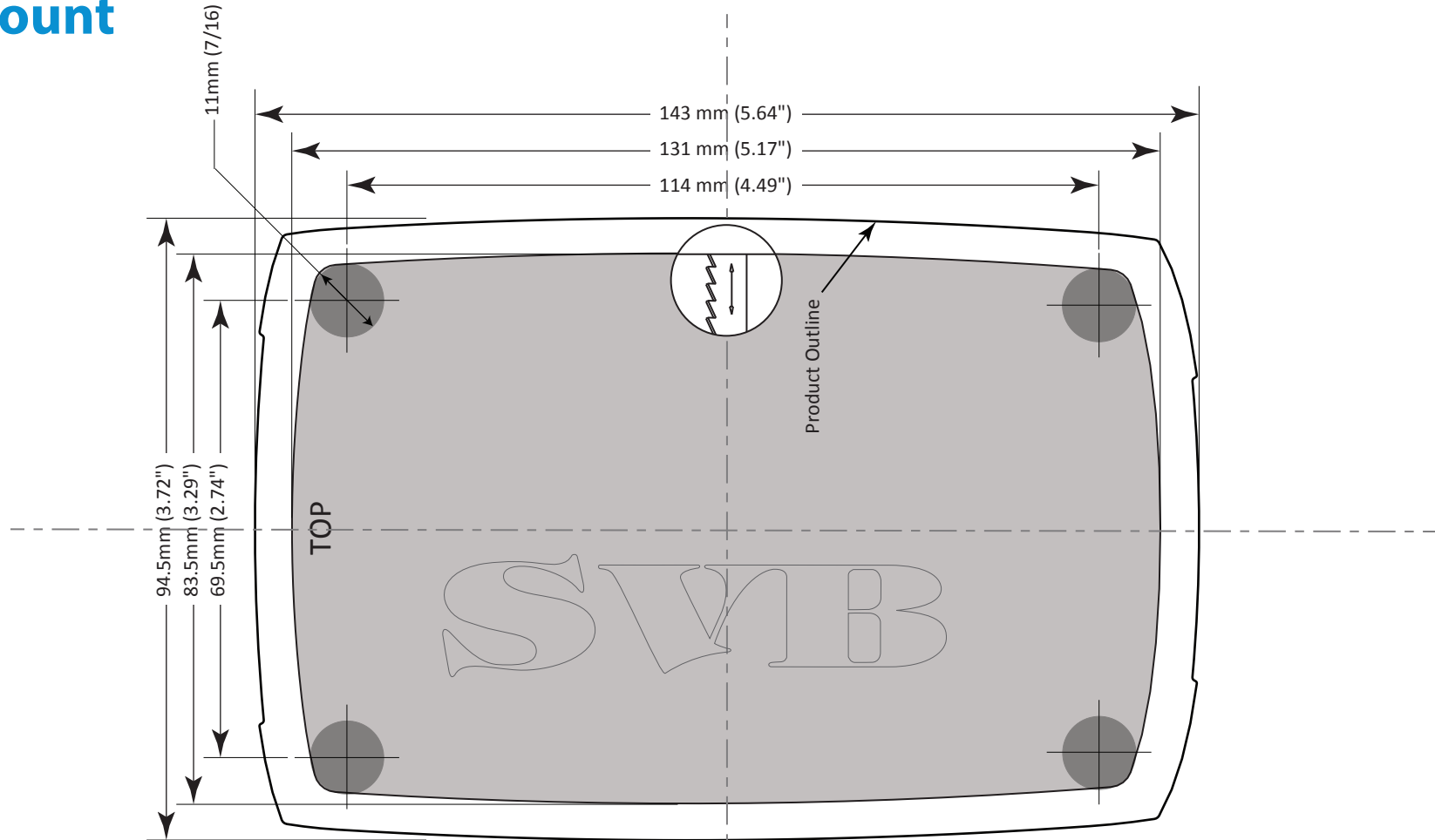
HOOK-3x DSI

Installation Guide

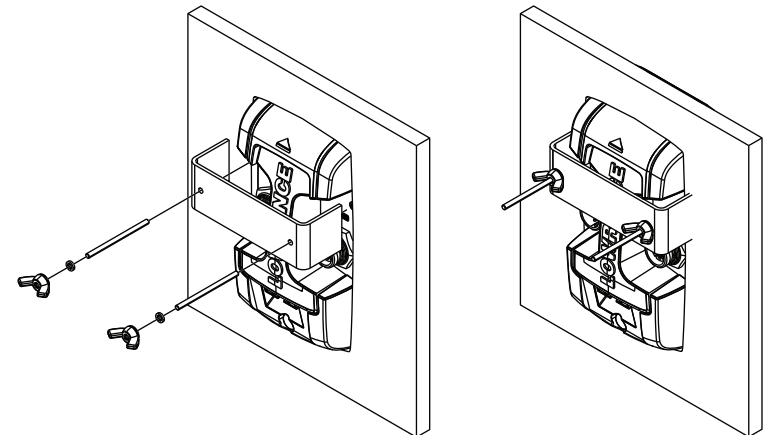
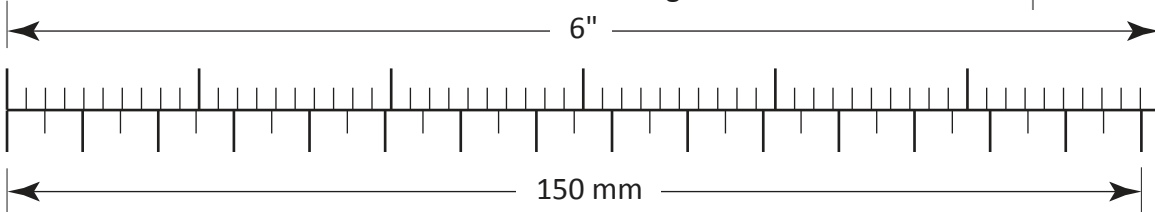


lowrance.com

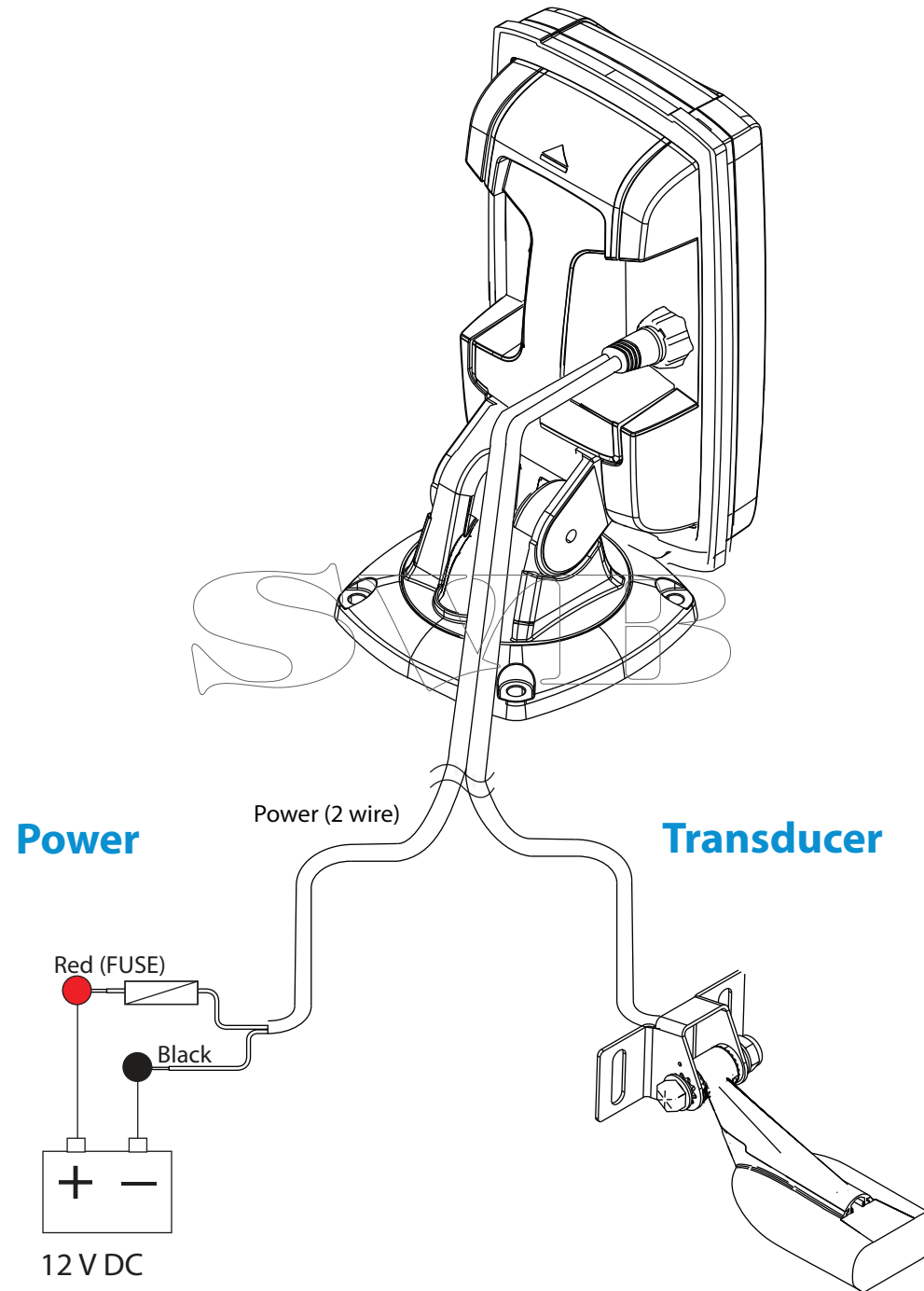
Flush Mount



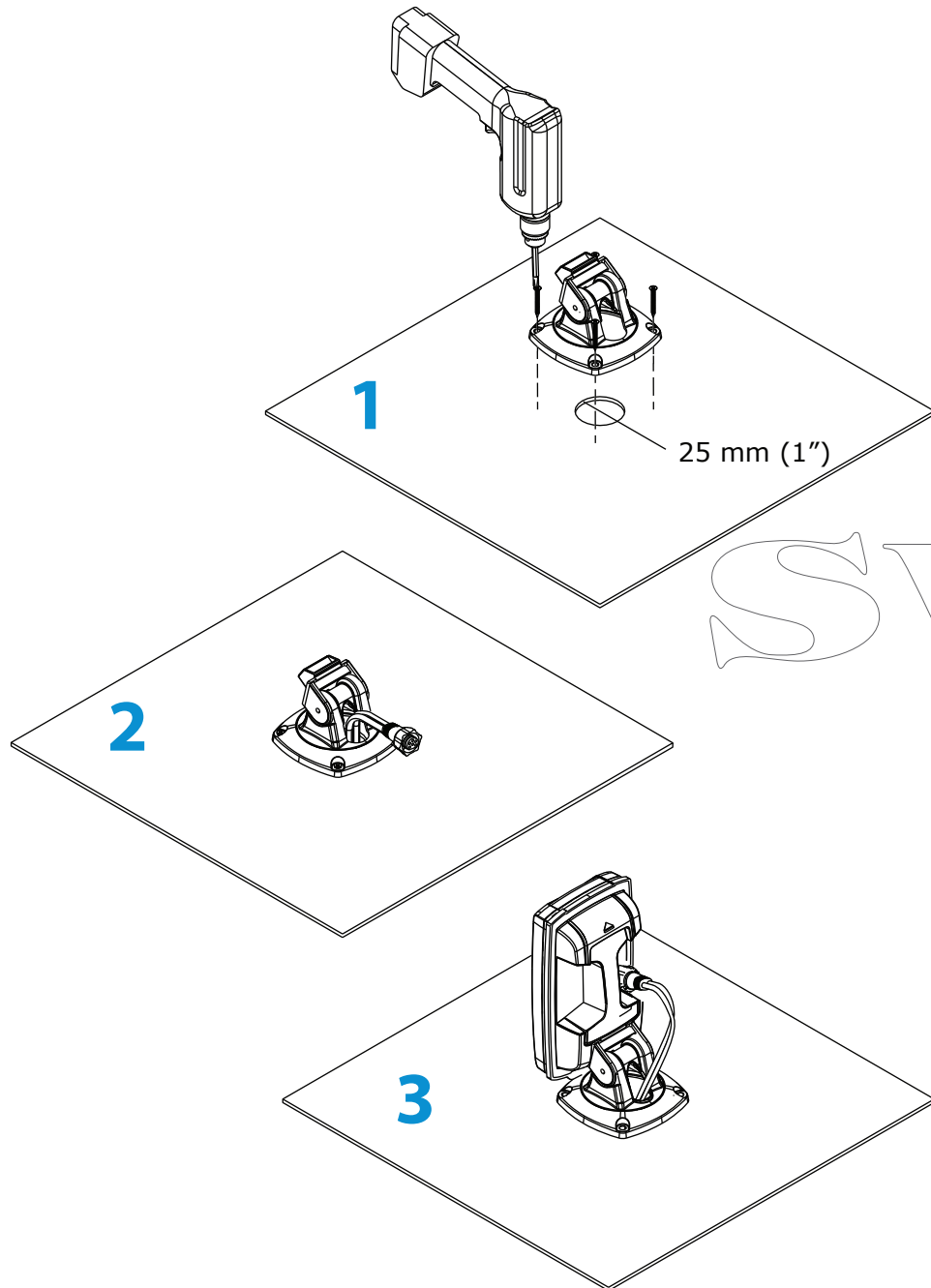
Check dimensions before cutting



Wiring



Bracket Mount



Dimensions

