

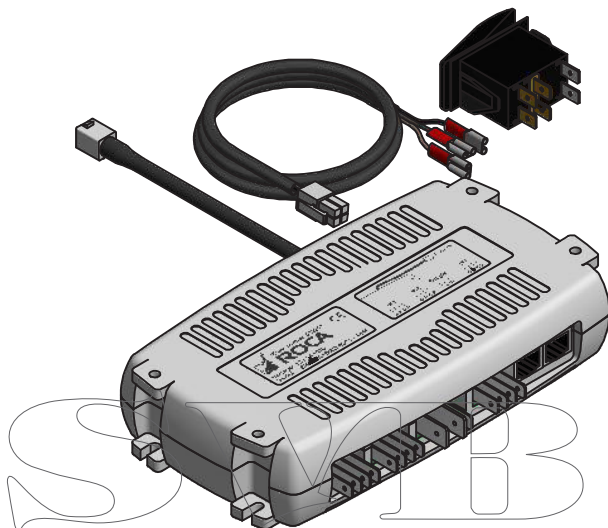


ROCA[®]

WIPER CONTROL | W10, 12, 25, 38 & 50

Installation Instructions

Before installation please read these instructions.

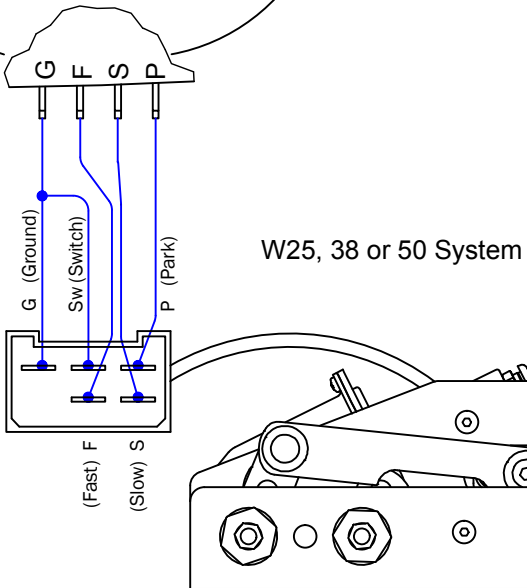
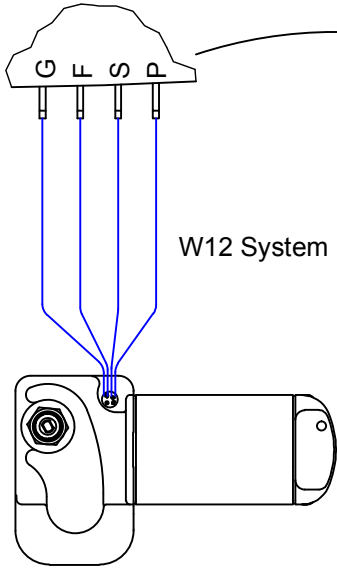
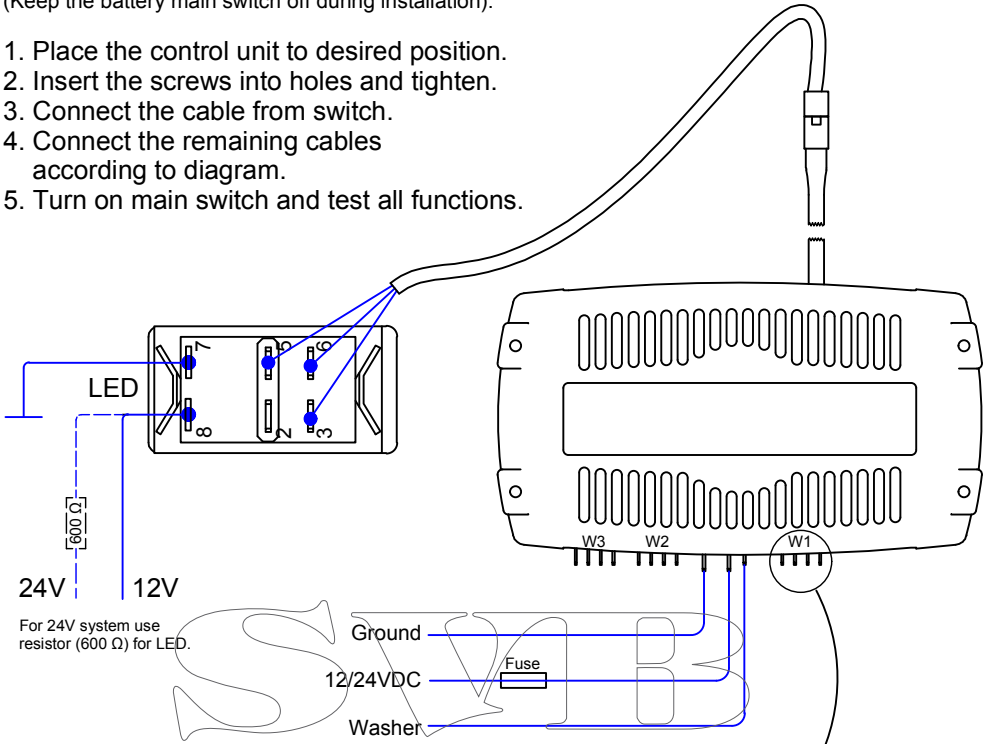


- Up to 2 or 3 motors
- Synchronized sweep
- Interval
- Slow speed
- Fast speed
- Washer output

Installation

(Keep the battery main switch off during installation).

- 1. Place the control unit to desired position.
- 2. Insert the screws into holes and tighten.
- 3. Connect the cable from switch.
- 4. Connect the remaining cables according to diagram.
- 5. Turn on main switch and test all functions.



Function for switch

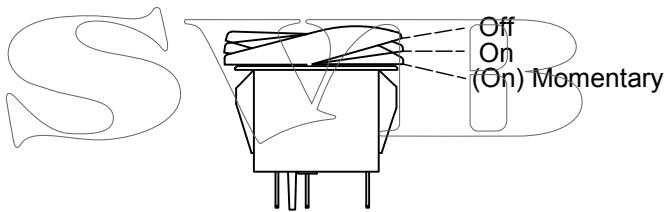
- One push to the on position will start all motors in synchronized interval.
 - One more push to momentary will run all motors in slow speed synchronized.
 - One more push will run all motors in fast speed synchronized.
 - One more push starts from interval and so on.
-
- One long push from off to momentary will start one motor in interval (W1).
 - One more push will run one motor in slow speed.
 - One more push will run one motor in fast speed.
 - One more push starts one motor from interval and so on.

Washer:

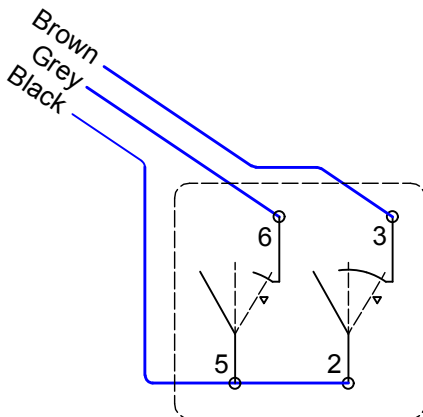
When running, push switch to momentary more than one second and washer will start.

Motor protection:

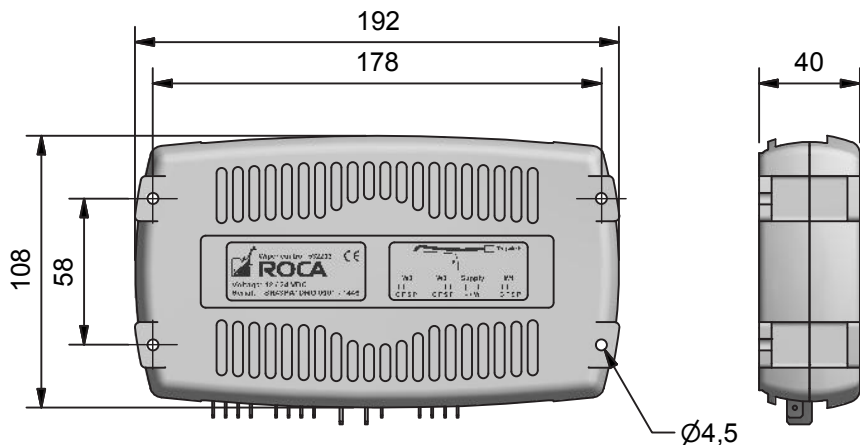
If motor runs too slow or stops, it will shut off if not reaching park position within 5 sec. Push switch to off and then to on, and motor will start again.



Switch 466223
Actuator 466026



Switch circuit
Off - 2&3 - (2&3,5&6)



Item no.	Voltage	Wipers
532202	12/24 V	Up to 2
532203	12/24 V	Up to 3

Limited warranty

- » Roca warrants the wiper control to be free from defective material and workmanship for a period of 3 years from the date of purchase.
- » This warranty does not apply to failure or damage caused by improper installation, misuse, lightning strike or damage from a power surge.
- » If failure occurs during this period, return it to your dealer for repair or replacement.



Fits wiper motors: W10, W12, W25, W38 and W50

