

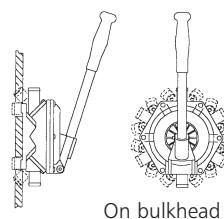


Amazon Manual Bilge Pumps

Amazon Bulkhead

For surface mounting on bulkhead or deck

- ▼ Repositionable ports and body offer an amazing 96 assembly variations
- ▼ Complete with stainless steel handle, mounting clips and provision for safety lanyard
- ▼ Sustainable outputs up to 45 lpm (10 gpm)



Connections for 25mm (1") id hose

29240-000 Bulkhead pump c/w detachable handle

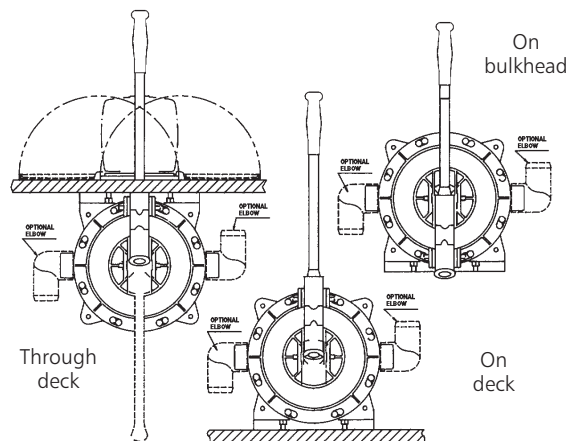
Amazon Universal

For mounting on bulkhead, through bulkhead, on deck, or through deck (with optional through deck kit).

- ▼ Flow direction can be changed 180° by interchanging inlet and outlet ports
- ▼ Optional push-fit inlet and outlet elbows through 360° to increase flexibility of installation still further
- ▼ Unique safety feature allows operation from both inside and outside the cabin (with optional through deck kit)
- ▼ Quick release clamp ring gives fast access for blockage clearance
- ▼ Complete with stainless steel handle, mounting clips and provision for safety lanyard
- ▼ Impressive features are matched by impressive flow rate of up to 100 lpm (22 gpm)
- ▼ Excellent solids handling ability for use with holding tanks

Connections for 38mm (1½") id hose

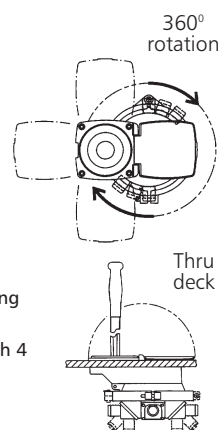
29270-0000 Universal pump, c/w detachable handle and one push-fit elbow
 29279-0000 Optional through deck kit
 29266-1000 Additional push-fit elbow



Amazon Thrudeck

For mounting through deck or through bulkhead

- ▼ The ultimate compact through deck pump with no less than 16 port variations relative to the body
- ▼ Loosening just one screw lets you clear blockages or re-position the body anywhere through 360° relative to the handle position
- ▼ Complete with stainless steel handle, mounting clips and provision for safety lanyard
- ▼ Sleekly styled through deck kit and cover, with 4 mounting positions relative to the pump
- ▼ Readily achievable 50 lpm (11 gpm) output



Connections for 25mm (1") or 38mm (1½") id hose

29250-0000 / 0010 Thrudeck pump, c/w detachable handle and through deck kit

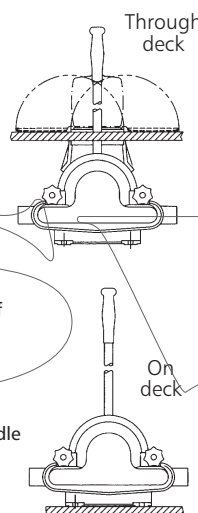
Amazon Warrior

For mounting on deck or through deck (with optional through deck kit and bracket)

- ▼ Robust, alloy body particularly suited to workboat and safety applications
- ▼ Double diaphragm design gives maximum efficiency and added safety, because each side of the pump operates independently
- ▼ Solid 18" handle assists sustained-high outputs of up to 135 lpm (30 gpm)

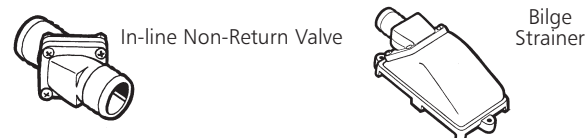
Connections for 38mm (1½") id hose

29280-0000 Warrior pump, c/w detachable handle
 29279-0000 Optional throughdeck kit
 29289-0000 Under deck bracket (required for use with through deck kit)



Amazon Accessories

29290-1020 Bilge strainer for 19mm (¾") id hose
 29290-1000 Bilge strainer for 25mm (1") id hose
 29290-1010 Bilge strainer for 38mm (1½") id hose
 29295-1011 In-line non-return valve for 19mm (¾") id hose
 29295-1000 In-line non-return valve for 25mm (1") id hose
 29295-1010 In-line non-return valve for 38mm (1½") id hose



Amazon Manual Bilge Pumps & Accessories



Universal (Through Deck or on Deck mounting)



Bulkhead



Thrudeck



Warrior



Bilge Strainers



In-Line Non-Return Valves

Applications

The Amazon range of pumps is primarily designed to evacuate standing bilge water.

CAUTION: Amazon pumps are not designed to keep pace with water flowing in through a hole in the vessel's structure.

Actual performance varies according to the individual installation and the pumping rate of the user.

The Amazon Universal and Warrior models are also suitable for discharging toilet waste from holding tanks.

CAUTION: Amazon pumps are designed specifically for use as bilge pumps and toilet waste disposal pumps. Consult ITT Industries-Jabco for advice about all other possible applications. Do not use Amazon pumps to transfer petrol, petroleum products, acids, chemicals or caustic liquids.

Models

PUMPS

- ▼ 29240-0000 25mm (1") Bulkhead pump, c/w detachable handle
- ▼ 29250-0000 25mm (1") Thrudeck pump, c/w detachable handle and through deck kit
- ▼ 29250-0010 38mm (1½") Thrudeck pump, c/w detachable handle and through deck kit
- ▼ 29270-0000 38mm (1½") Universal pump, c/w detachable handle and one push-fit elbow
- ▼ 29280-0000 38mm (1½") Warrior pump, c/w detachable handle

OPTIONS

- ▼ 29279-0000 Through deck kit (for Universal and Warrior only)
- ▼ 29289-0000 Under deck bracket (required for Warrior when used with through deck kit)
- ▼ 29266-1000 Additional push-fit elbow (for Universal only)

ACCESSORIES

- ▼ 29290-1020 Bilge strainer for 19mm (¾") id hose
- ▼ 29290-1000 Bilge strainer for 25mm (1") id hose
- ▼ 29290-1010 Bilge strainer for 38mm (1½") id hose
- ▼ 29295-1011 In-line non-return valve for 19mm (¾") id hose
- ▼ 29295-1000 In-line non-return valve for 25mm (1") id hose
- ▼ 29295-1010 In-line non-return valve for 38mm (1½") id hose



Jabco, 100 Cummings Center, Ste 535-N, Beverly, MA 01915 **USA**
 Tel: +1 978 281 0440 Fax: +1 978 283 2619

Jabco, Bingley Road, Hoddesdon, Hertfordshire EN11 0BU **UK**
 Tel: +44 (0) 1992 450 145 Fax: +44 (0) 1992 467 132

NHK Jabco Co Ltd, 3-21-10, Shin-Yokohama, Kohoku-ku, Yokohama 222 **JAPAN**
 Tel: +81 (0) 45 475 8906 Fax: +81 (0) 45 475 8908

Jabco GmbH, Oststraße 28, 22844 Norderstedt **GERMANY**
 Tel: +49 (0) 40 53 53 73 0 Fax: +49 (0) 40 53 53 73 11

Jabco Marine Italia S.r.l., Via Tommaseo, 6, 20059 Vimercate, Milano **ITALY**
 Tel: +39 039 6852323 Fax: +39 039 666307

An Amazon pump will become an integral part of your bilge pumping system. Correct installation of the whole system is essential if you want the pump to perform properly, operate reliably and safely, and to give satisfactory length of life.

1. Location

Your pump is delivered ready for installation, but all Amazon pumps can be adapted by the installer to suit different types of location.

- ▼ Select a location that allows you to pump comfortably for long periods of time, preferably with the handle rocking vertically towards and away from you at waist height.
- ▼ Ensure that there is sufficient clearance for you to use the full stroke of the handle without injury to your hands and arms.
- ▼ You must be able to get easy access to the pump chamber and both inlet and outlet valves in the event of a blockage occurring.
- ▼ For safety, locate the pump - whether above or below decks - where you can operate it with all hatches and lockers fully closed.

2. Mounting

For all models, except the Thrudeck, you will need the appropriate number, type, diameter and length of bolts, complete with nuts and washers, to mount the unit on the deck. All should be in marine grade stainless steel or bronze, and a small tube of silicone sealant will be required to seal the bolts where they pass through the deck.

- ▼ The mounting surface must be flat and sufficiently strong so that it does not flex when you are pumping hard.

3. Through Hull Fittings

If you are installing the pump as a bilge pump you will need either a 25mm (1") id or 38mm (1 1/2") id through hull fitting, according to the particular model of pump.

- ▼ Follow the through hull fitting manufacturer's own instructions concerning materials and methods of installation.
- ▼ Ensure that the through hull fitting will be above the waterline at all times, whether the craft is at rest or underway, or heeling, rolling or pitching.

4. Suction Inlet

The suction inlet must be located in the deepest part of the bilges.

- ▼ To minimise the risk of a blockage you should fit an Amazon Strainer.
- ▼ You must be able to get easy access to the suction inlet point in the event of a blockage occurring.
- ▼ To maximise the efficiency of the pump you should have a non-return valve close to the suction inlet. This prevents the water that you have just lifted up the hose from falling back into the bilge. (Amazon Bilge Strainers incorporate a non-return valve). If, for any reason, you do not want to fit a strainer you should fit an Amazon in-line, non-return valve as close to the suction inlet as possible.

5. Pipework

You will need spiral reinforced smooth bore flexible hose for both the inlet and outlet pipework, and a stainless steel wormdrive hose clip for every hosedetail connection (4 or more).

- ▼ To maximise the efficiency of the pump ensure that the outlet hose rises at least 30cm (12") after it leaves the pump. This prevents the pump from sucking in air through the outlet hose.
- ▼ Avoid sharp bends in the pipework that may cause the hose to become kinked.
- ▼ Keep all pipework lengths as short as possible. Unnecessary inlet or outlet hose length makes the pump harder to operate.
- ▼ Secure the pipework so that the hoses cannot move and chafe, and so that they do not exert any leverage on the hose tail fittings to which they are connected.
- ▼ If it is difficult to fit the hose onto any hosedetails, soften the hose by dipping the end of it in hot water.

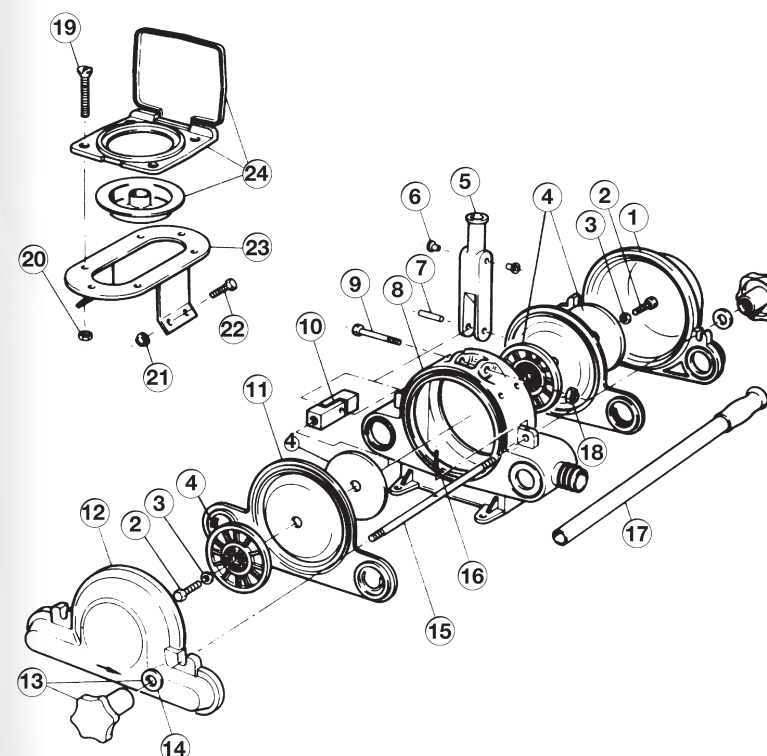
CAUTION: Do NOT apply flame to the hoses. Do NOT apply flame or heat to any plastic hosedetails. Do NOT apply sealing compounds to any hose connections.

- ▼ Secure the ends of all hoses to the hosedetails with stainless steel wormdrive hoseclips, ensuring that all inlet connections are airtight and that all outlet connections are watertight.

6. Handle

Store the handle close to the pump in spring clips.

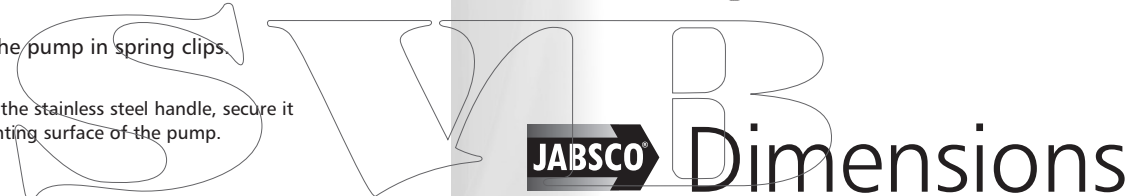
- ▼ Using the hole provided in the stainless steel handle, secure it with a lanyard to the mounting surface of the pump.



Repair Kits Available		
Kit	Part No	Description
A	29286-1000	MAJOR SERVICE KIT
B	29283-1000	BODY KIT
C	29284-1000	ROCKER KIT

Key	Description	Qty Per Pump	Part No	Qty per Repair Kit		
				A	B	C
1	LEFT HAND COVER PLATE	1	29281-1000			
2	BOLT (DIAPHRAGM PLATE)	2				2
3	WASHER	2		1		2
4	DIAPHRAGM PLATE	4				4
5	ROCKER ARM	1				1
6	BUSH					2
7	PIVOT PIN	1				1
8	BODY	1			1	
9	BOLT (ROCKER ASSEMBLY)	1				1
10	CONROD	1				1
11	DIAPHRAGM	2			2	
12	RIGHT HAND COVER PLATE	1	29282-1000			
13	KNOB & WASHER ASSY	4	29288-1000			
14	WASHER (STUD)	4			2	
15	LONG STUD	2				2
16	ROLL PIN	2				2
17	HANDLE	1	29287-1000			
18	NUT (ROCKER ASSEMBLY)	1				1

Optional Extras Available			
Key	Description	Qty Per Pump	Part no
19	SCREW	6	
20	NUT	6	
21	NUT	4	29289-0000
22	BOLT	4	
23	UNDERDECK BRACKET	1	
24	THROUGH DECK KIT	1	29279-0000

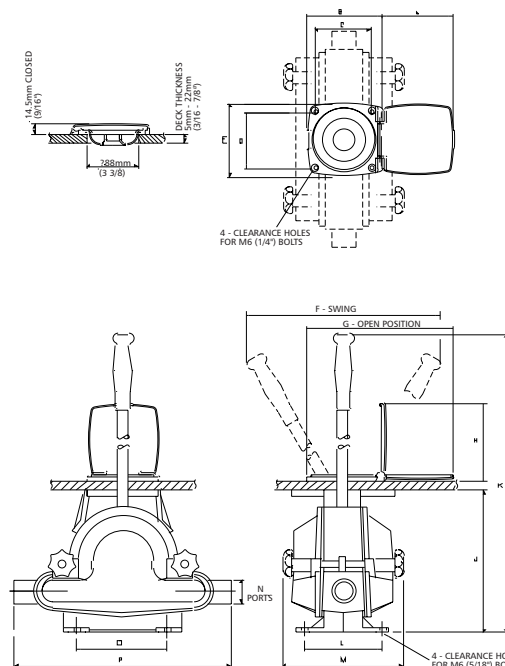


Operating instructions

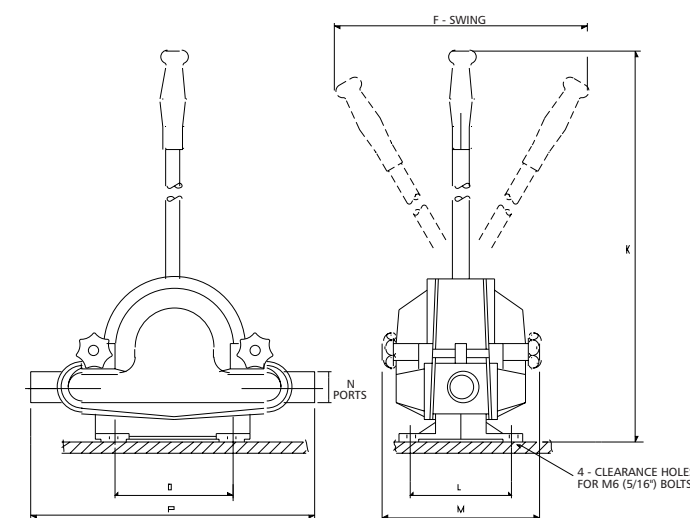
Amazon pumps are simple to operate.

- ▼ If your pump is installed through the deck, first swing the white lid of the deck cover through 180° and snap it into its open position.
- ▼ Then just insert the end of the pump handle into the socket on the rocker arm, and move the handle backwards and forwards.
- ▼ For maximum efficiency, use even strokes through the full arc of travel of the handle.
- ▼ Expect the pump to prime and begin to discharge after a few strokes.
- ▼ After use, remove the handle and return it to its storage position.
- ▼ Close the white lid of the deck cover.

Through Deck Mounting

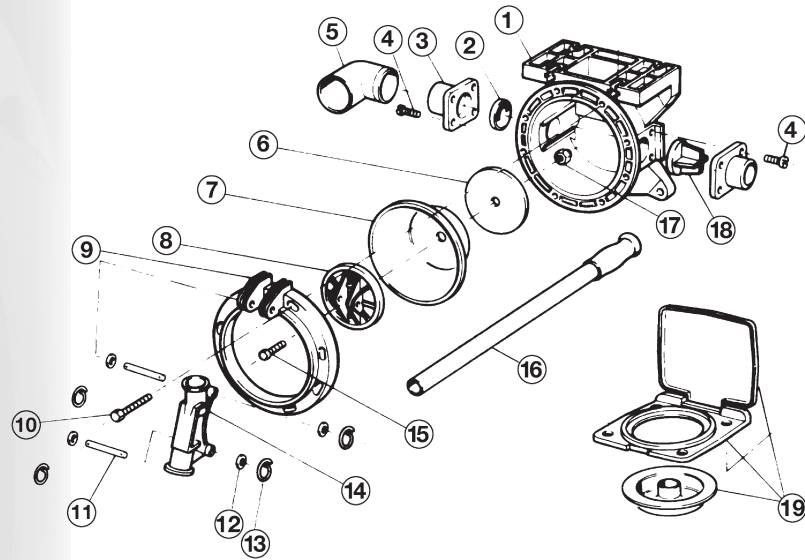


On Deck Mounting



F	K	L	M	N	O	P	UNITS	WEIGHT
310	680	130	200	38.1	150	355	mm	4.40 kg
(12.2)	(27)	(5.1)	(8)	(1.5)	(6)	(14)	(ins)	(9.7) (lbs)

A	B	C	D	E	F	G	H	J	K	L	M	N	O	P	UNITS	WEIGHT
14.5	Ø86	5-22	120	94	12.8	94	129	115	121	218	147	310	252	129	mm	1.2 kg
(0.6)	(3.4)	(02-09)	(4.7)	(3.7)	(0.5)	(3.7)	(5.1)	(4.5)	(4.8)	(8.58)	(5.8)	(12.2)	(9.9)	(5.1)	(ins)	(2.5) (lbs)



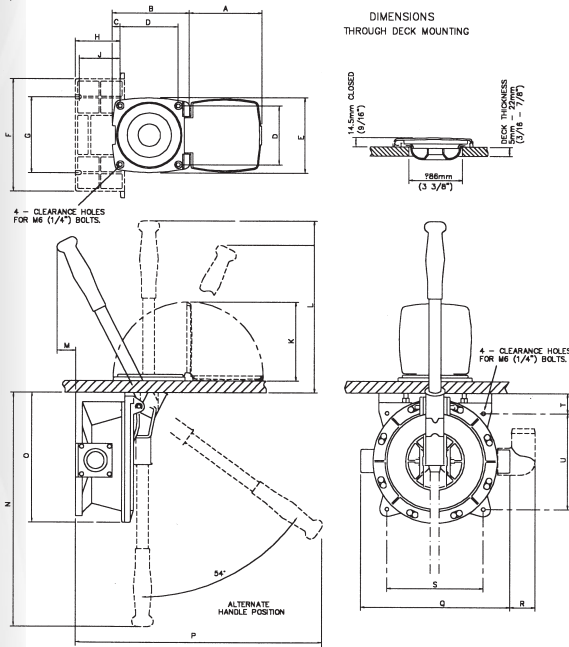
Repair Kits Available		
Kit	Part No	Description
A	29276-1000	MAJOR SERVICE KIT
B	29275-1000	PORTS KIT
C	29272-1000	CLAMP RING & ROCKER KIT

Key	Description	Qty Per Pump	Part No	Qty per Repair Kit		
				A	B	C
1	BODY	1	29271-1000			
2	INLET VALVE	1		1	1	
3	PORT	2			2	
4	SCREW	8		3	2	
5	PUSH FIT ELBOW	1	29266-1000			
6	DIAPHRAGM PLATE (INNER)	1				1
7	DIAPHRAGM	1				1
8	DIAPHRAGM PLATE (OUTER)	1				1
9	CLAMP RING	1				1
10	SCREW	8		3	3	
11	PIVOT PIN	2				2
12	WASHER	4		1	2	
13	RING CLIP	4		1	2	
14	ROCKER	1				1
15	BOLT	1				1
16	HANDLE	1	29267-1000			
17	NYLOC NUT	1		1	1	
18	OUTLET VALVE	1		1	1	

Optional Extras Available		
Key	Part No	Description
19	29279-0000	THROUGH DECK KIT

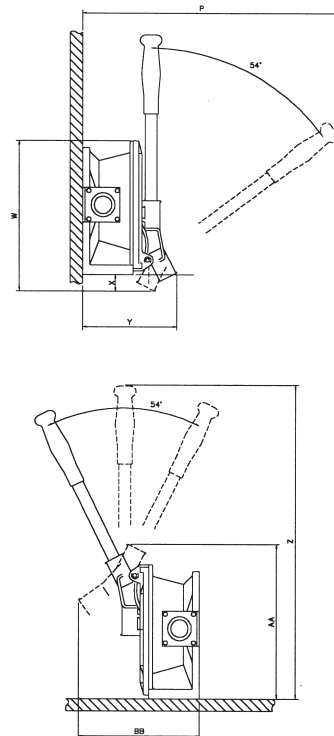
JABSCO Dimensions

Through Deck Mounting



A	B	C	D	E	F	G	H	J	K	L	M	N	O	UNITS
115 (4.5)	129 (5.1)	12.8 (0.5)	94 (3.7)	120 (4.8)	180 (7)	121 (4.8)	73 (2.9)	66 (2.6)	129 (5.1)	277 (11)	29 (1.1)	380 (15)	212 (8.4)	mm (ins)

On Deck Mounting

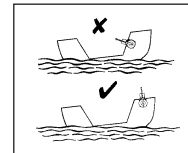


P	Q	R	S	T	V	W	X	Y	Z	AA	BB	UNITS	WEIGHT
390 (15.4)	242 (9.5)	41 (1.6)	156 (6.1)	33 (1.3)	405 (16)	238 (9.4)	26 (0.5)	149 (6)	498 (19.6)	244 (9.6)	192 (7.5)	mm (ins)	1.2 kg (2.9 lbs)

- (GB)** MANUAL PUMPS SAFETY INSTRUCTIONS
- (DE)** HANDPUMPEN EINBAU – UND SICHERHEITSHINWEISE
- (IT)** POMPE MANUALI INFORMAZIONI D'INSTALLAZIONE E SICUREZZA
- (ES)** BOMBAS MANUALES INSTRUCCIONES DE INSTALACION Y MEDIDAS DE SEGURIDAD
- (FR)** POMPES MANUELLES INSTALLATION ET SECURITE
- (SE)** MANUELLA PUMPAR INSTALLATIONS- OCH SÄKERHETSANVISNINGAR
- (NL)** HANDPOMPEN INSTALLATIE EN VEILIGHEIDSADVIES

1.

- ▼ Always install pumps in a position that allows for sustained periods of pumping, where there is full access to the pump for service.
- ▼ Die Pumpe stets an einer Stelle einbauen, wo man sie bequem auch für längere Zeit betätigen kann und wo sie zur wartung leicht zugänglich ist.
- ▼ Installare sempre le pompe in una posizione che consenta di usarle per lunghi periodi e di sottoporle facilmente a manutenzione.
- ▼ Siempre instalar las bombas en una posición que permita prolongados periodos de bombeo y donde exista acceso total para el servicio de las mismas.
- ▼ Les pompes doivent toujours être installées dans un emplacement permettant leur utilisation pendant des périodes prolongées, et permettant un accès integral pour effectuer leur entretien.
- ▼ Installera alltid pumparna så att de är lätt pumpa och är helt åtkomliga för service.
- ▼ Plaats de pompen altijd zodanig dat u langdurig kunt pompen en er makkelijk bij kan voor onderhoud.



2.

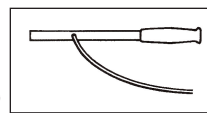
- ▼ Fix pumps to a flat surface.
- ▼ Die Pumpe auf einer ebenen Unterlage befestigen.
- ▼ Fissare le pompe su una superficie piatta.
- ▼ Montar las bombas en una surface plane.
- ▼ Fäst pumparna på ett plant underlag.
- ▼ Bevestig de pompen open vlak oppervlak.

3.

- ▼ Secure detachable handles to the vessel by use of a lanyard.
- ▼ Den abnehmbaren Handgriff mit einem Taudende am Boot sichern.
- ▼ Attaccare i manici staccabili all'imbarcazione usando uno spezzone di cima.
- ▼ Afianzar las manijas desmontables a la nave utilizando un destornillador.
- ▼ Fixer les poignées amovibles au bateau au moyen d'un bout.
- ▼ Sätt fast det löstagbara handtaget i en klämma i närheten av pumpen.
- ▼ Borg de uitneembare hendel aan het vaatuig met gebruik van een koord.

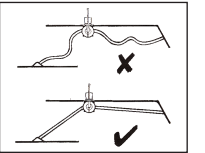
4.

- ▼ Always use marine grade spiral reinforced hose (with smooth internal bore) of the correct size for the pump.
- ▼ Einen spiral-verstärkten Schmutzwasserschlauch (mit glatter Innenwandung) mit dem zur Pumpe passenden Innendurchmesser verwenden.
- ▼ Usare sempre un tubo flessibile di tipo marino, rinforzato e a spirale (con un'anima interna liscia), di dimensioni adatte alla pompa.
- ▼ Siempre usar mangueras reforzadas con espiral para uso marino (con diámetro interior liso) del tamaño correcto.
- ▼ Toujours utiliser des flexibles renforcés à spirale (à paroi intérieure lisse) de diamètre approprié.
- ▼ Använd alltid spiralärmerad marinslang (med slat insida) i rätt storlek.
- ▼ Gebruik altijd 'marine grade' spiral versterkte slang (met gladde binnenzijde) in de juiste maat voor de pomp.



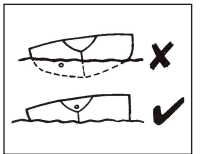
5.

- ▼ Pipework runs should be kept as short and straight as possible, avoiding rising and dipping over obstructions.
- ▼ Die verlegte Schlauchleitung sollte so kurz und so gerade wie möglich sein. Auf- und absteigende Verlegung über Hindernisse ist zu vermeiden.
- ▼ I tratti di tubatura dovrebbero essere corti e dritti al Massimo, evitando che salgano e scendano a causa di ostruzioni.
- ▼ Los tramos de tubería deben tan cortos y rectos como sea posible, evitando subidas o bajadas para sortear obstrucciones.
- ▼ Les canalisations doivent suivre un trajet aussi droit et court que possible, et éviter de passer au-dessus ou au-dessous des obstacles éventuels.
- ▼ Slangarna skall hållas så raka och korta som möjligt.
- ▼ Leidingwerk moet zo kort en recht mogelijk gehouden worden. Voorkom stijgen en dalen van pijp over obstakels.



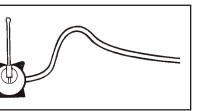
6.

- ▼ All bilge pumps discharged overboard must be installed with the overboard discharge well above both static and heeled waterlines. (Sailboats normally discharge through the transom).
- ▼ Bei allen nach aussenbords entleerenden Bilgepumpen muß der Borddurchlass auch bei Krängung oberhalb der Wasserlinie liegen. (Bei Segelbooten normalerweise im Spiegel).
- ▼ Tutte le pompe di sentina che si scaricano fuori devono essere installate con lo scarico in acqua ben al di sopra della linea di galleggiamento sia statica che inclinata. (Nelle barche a vela lo scarico avviene normalmente attraverso l'arcaccia).
- ▼ Todas las bombas de carena con descarga al agua deben instalarse con la descarga al amr bien por encima de la línea de flotación estática e inclinada. (Las embarcaciones a vela generalmente descargan a través de yugo).
- ▼ L'évacuation de toutes les pompes de cale à rejet en mer doit être située bien au-dessus de la ligne de flottaison maximale (sur les voiliers, l'évacuation se fait habituellement à travers le tableau arrière).
- ▼ Alla länsmpumpar med utlopp överboard pompen moeten hun huid doorlaat voldoende boven de waterlijn plaatsen. Houd rekening met de maximum overhelling. (Zeilboten pompen normal gesproken over het gangboord het lens water overboard).



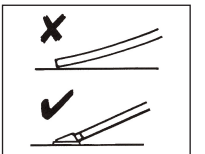
7.

- ▼ For maximum efficiency raise discharge hose at least 30cm (12") after it leaves the pump.
- ▼ Die beste Förderleistung wird erzielt, wenn der Druckschlauch nicht höher als 30 cm über der Pumpe nach aussen führt.
- ▼ Per la massima efficienza alzare il tubo di scario almeno di 30 cm dopo aver lasciato la pompa.
- ▼ Para maxima eficacia elevar la descarga de manguera un mínimo de 30cm después de su salida de la bomba.
- ▼ Pour maximiser le rendement, le tuyau d'évacuation ne doit commencer à s'élever que 30cm au moins après la sortie de la pompe.
- ▼ För bästa effektivitet bör slangen höjas minst 30cm after utloppet från pumpen.
- ▼ Voor maximum doelmatigheid dient u de uitlaat slang na de pomp minstens 30cm omhoog to leiden.

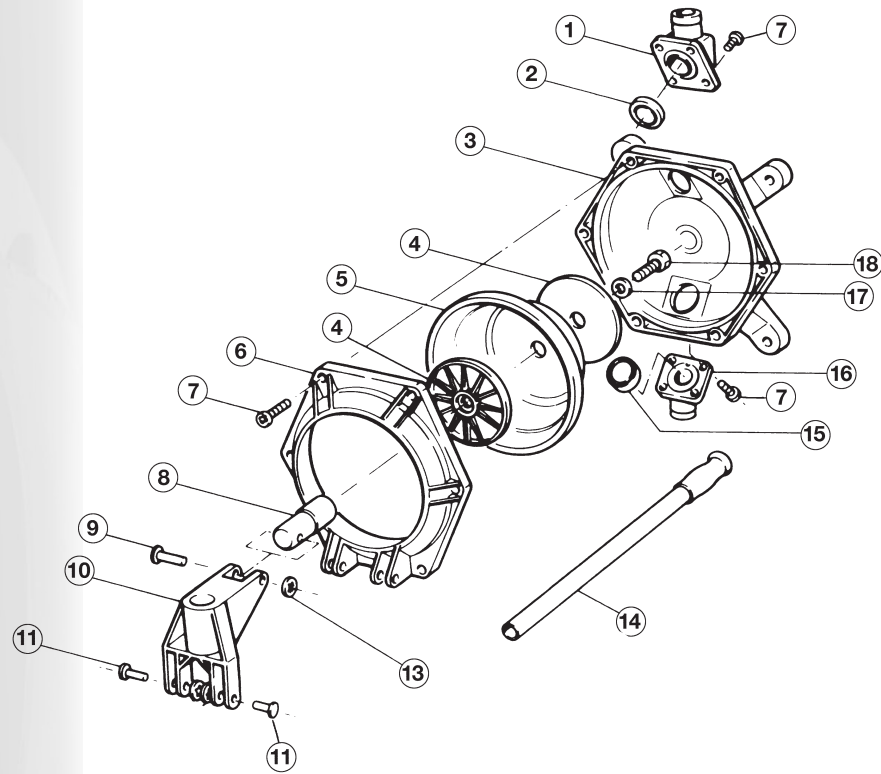


8.

- ▼ To minimise risk of blockage fit a strainer on the bilge end of the pipework.
- ▼ Um das Risiko enien Verstopfung gering zu halten, wird der Einbau eines Saugkorbes in der Bilge empfohlen.
- ▼ Per minimizzare il rischio di blocco, installare un filtro sull'estremità di sentina della tubatura.
- ▼ Para reducir a un mínimo el riesgo de obstrucciones, colocar un filtro en el extreme de carena de la tubería.
- ▼ Pour minimiser les risques d'obturation, monet une crépine sur le côté find de cale de la tuyauterie.
- ▼ För blockeringsrisk bör en sil med backventil monteras på slangens sug sida.
- ▼ Bevestig een zuigkorf aan het begin van de zuig slang, dit helpt verstopping te voorkomen.



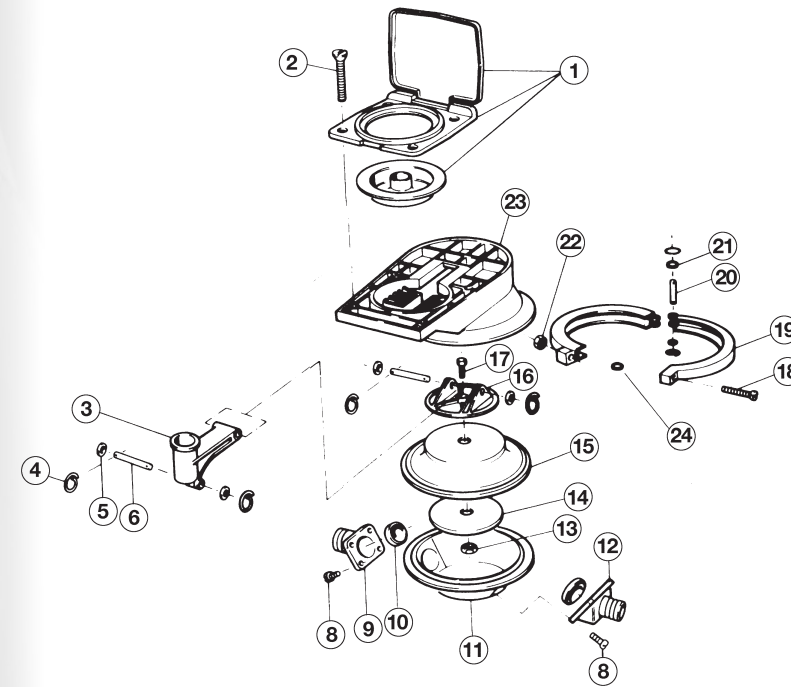
JABSCO Spare Parts List - 29240-000 Bulkhead



Repair Kits Available		
Kit	Part No	Description
A	29246-1000	MAJOR SERVICE KIT
B	29241-1000	PORTS KIT
C	29243-1000	CLAMP RING & ROCKER KIT

Key	Description	Qty Per Pump	Part No	Qty per Repair Kit		
				A	B	C
1	OUTLET PORT	1		1		
2	OUTLET VALVE	1		1	1	
3	BODY	1	29242-1000			
4	DIAPHRAGM PLATE	2			2	
5	DIAPHRAGM	1		1		
6	CLAMP RING	1			1	
7	SCREW	14		2	2	3
8	CON ROD	1			1	
9	CLEVIS PIN (LONG)	1			1	
10	ROCKER	1			1	
11	CLEVIS PIN (SHORT)	1			1	
13	WASHER	1			1	
14	HANDLE	1	29267-1000			
15	INLET VALVE	1		1	1	
16	INLET PORT	1			1	
17	WASHER	1		1	1	
18	BOLT	1			1	

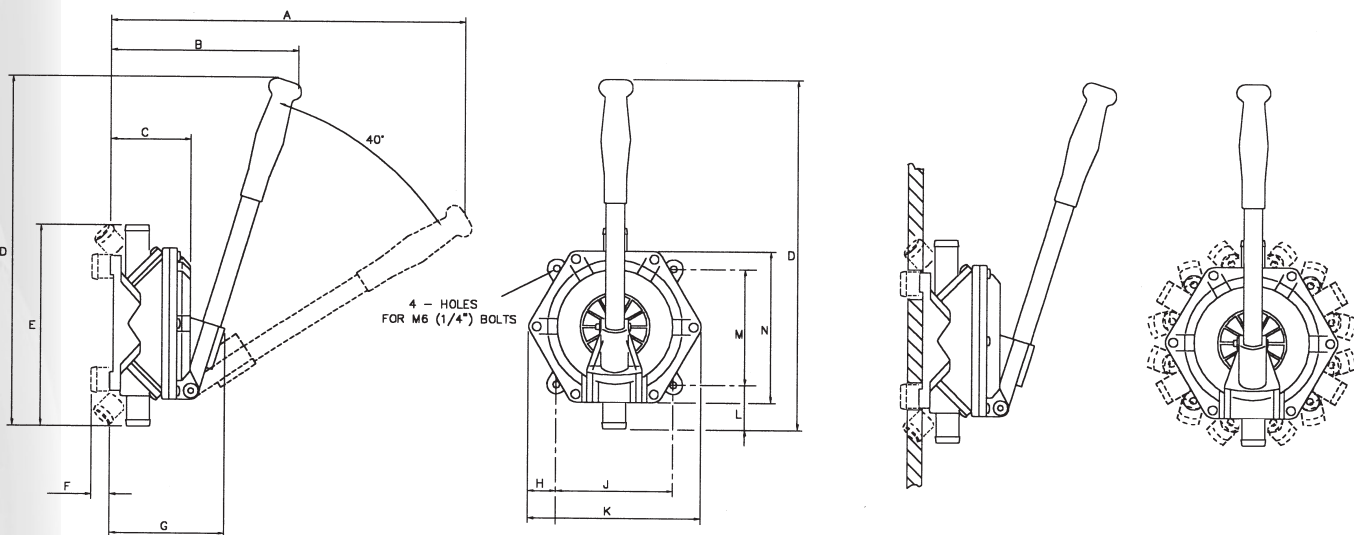
JABSCO Spare Parts List - 29250 Series Thru Deck



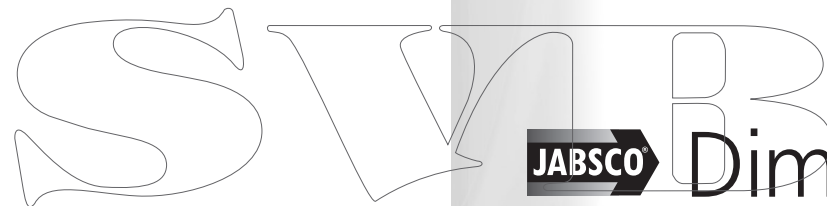
Repair Kits Available		
Kit	Part No	Description
A	29256-1000	MAJOR SERVICE KIT
B	29241-1000	PORTS KIT 1"
	29241-1010	PORTS KIT 1/2"
C	29252-1000	CLAMP RING ASSEMBLY
D	29254-1000	ROCKER ASSEMBLY

Key	Description	Qty Per Pump	Part No	Qty per Repair Kit			
				A	B	C	D
1	THROUGH DECK KIT	1	29279-0000				
2	SCREW	4					
3	ROCKER	1				1	
4	RING CLIP	6			2	4	
5	WASHER	4				4	
6	CLEVIS PIN (LONG)	2				2	
7	HANDLE	1	29267-1000				
8	SCREW	8		2	2		
9	OUTLET PORT	1			1		
10	FLAP VALVE	2		2	2		
11	LOWER BODY	1	29258-1000				
12	INLET PORT	1			1		
13	NYLOC NUT	1		1		1	
14	DIAPHRAGM PLATE (LOWER)	1				1	
15	DIAPHRAGM	1			1		
16	DIAPHRAGM PLATE (UPPER)	1				1	
17	BOLT	1				1	
18	SCREW	1		1	1		
19	DIAPHRAGM CLAMP RING	2			2		
20	CLEVIS PIN (SHORT)	1				1	
21	WASHER	2				2	
22	NUT	1				1	
23	UPPER BODY	1	29251-1000				
24	O-RING	1		1	1		

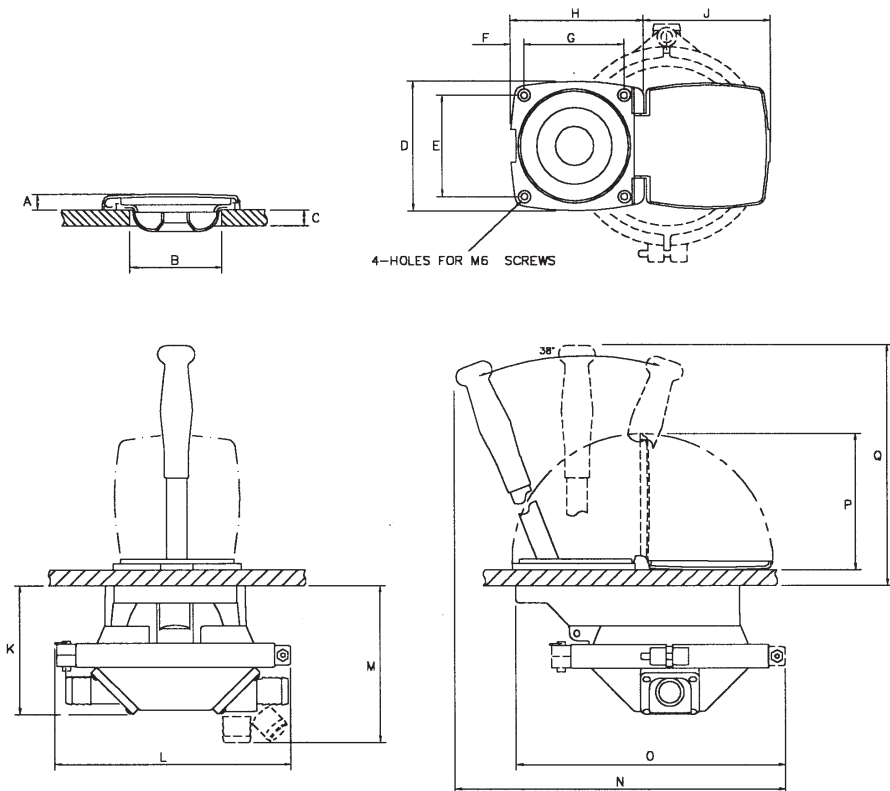
JABSCO Dimensions



A	B	C	D	E	F	G	H	J	K	L	M	N	UNITS	WEIGHT
362	192	82	357	216	19	120	28.5	119	176	46	119	155	mm	0.6 kg
(14.3)	(7.6)	(3.3)	(14)	(8.5)	(0.8)	(4.8)	(1.1)	(4.7)	(7)	(1.8)	(4.7)	(6.1)	(ins)	(1.4) (lbs)



JABSCO Dimensions



A	B	C	D	E	F	G	H	J	K	L	M	N	O	P	Q	UNITS	WEIGHT
14.5	Ø86	5-22	120	94	12.8	94	129	115	121	218	147	310	252	129	277	mm	1.2 kg
(0.6)	(3.4)	(0.209)	(4.7)	(3.7)	(0.5)	(3.7)	(5.1)	(4.5)	(4.8)	(8.58)	(5.8)	(12.2)	(9.9)	(5.1)	(10.9)	(ins)	(2.5) (lbs)