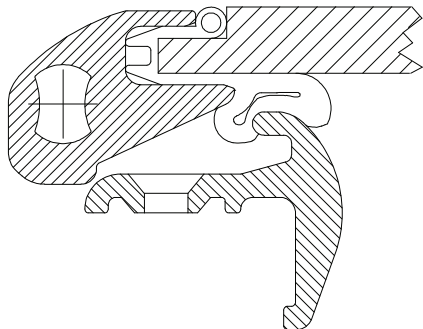


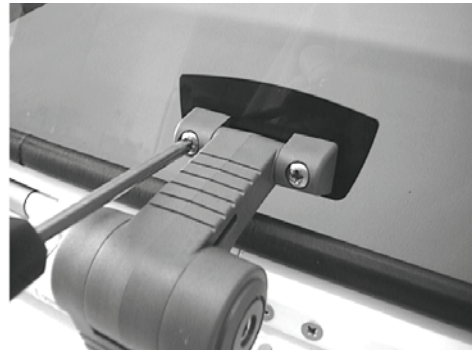
LEWMAR®

LOW & MEDIUM PROFILE HATCHES - DISASSEMBLY & ASSEMBLY

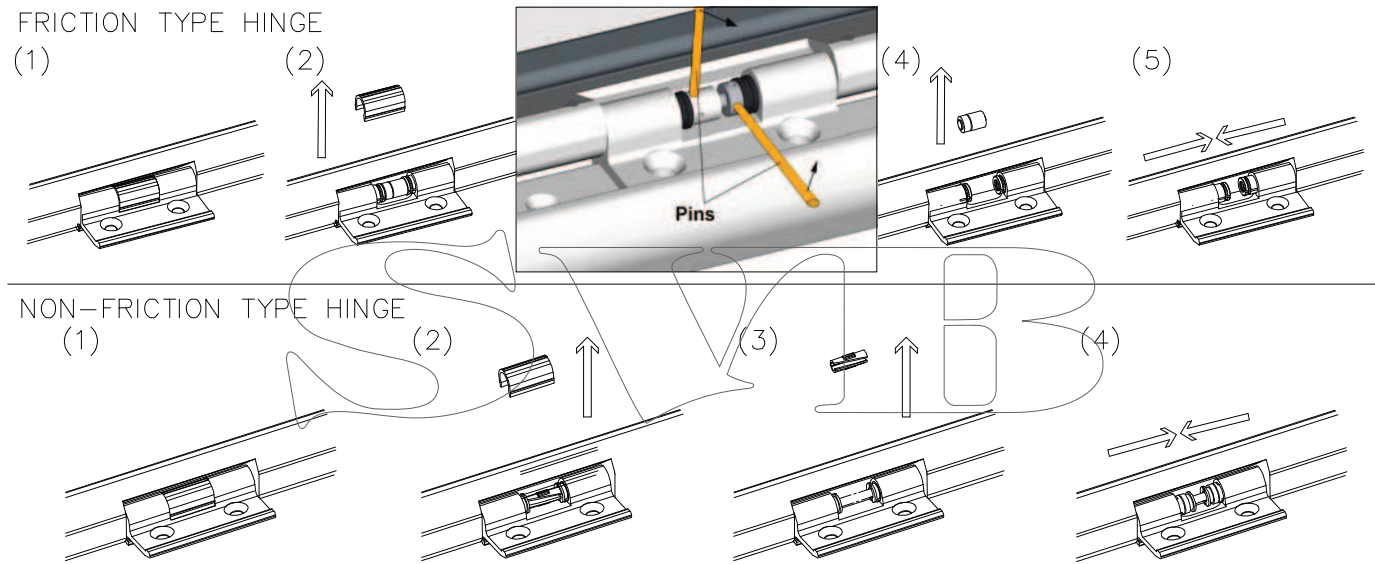
1.1) The acrylic is captive in the upper frame



1.2) If fitted, undo Friction Lever from Upper Frame



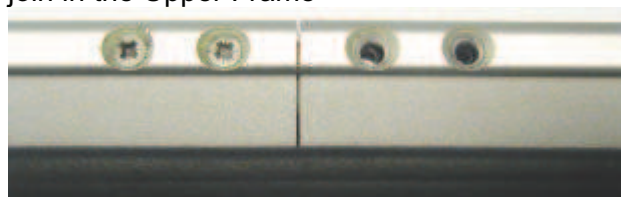
1.3) Undo hinges and release lid from Lower Frame



1.4) Lift the lid free from the lower



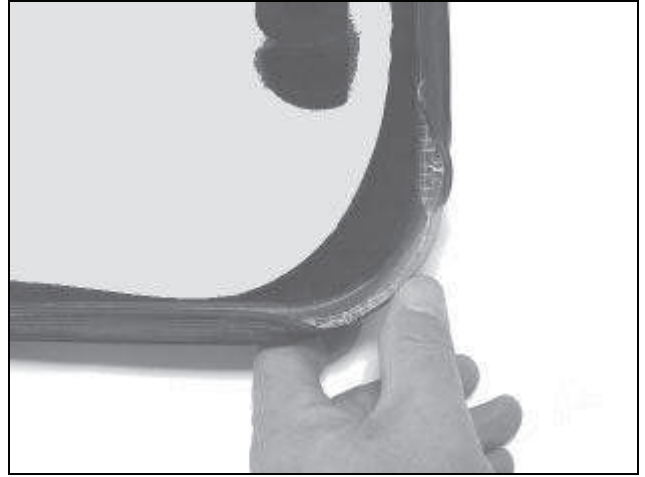
1.5) Remove the screws from one side of each join in the Upper Frame



1.6) Slide the two parts of the upper frame off the acrylic. The seal should remain with the acrylic.



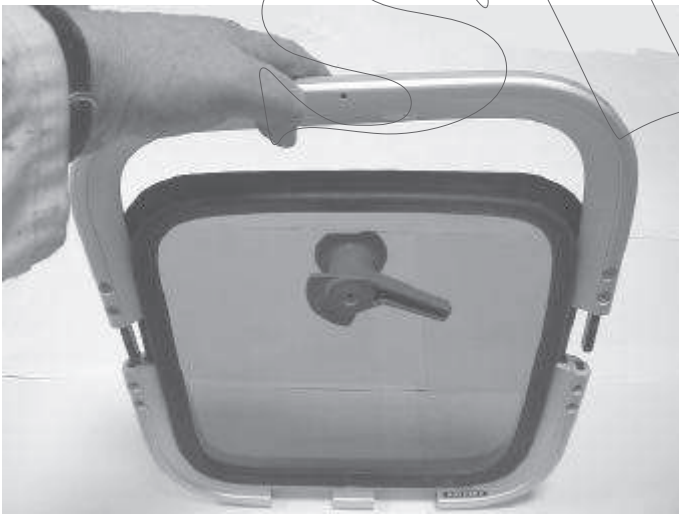
1.7) The seal is stretched over the Acrylic but may have been glued in place to aid assembly. If the seal is removed from the acrylic the acrylic will need cleaning, solvents should not be used



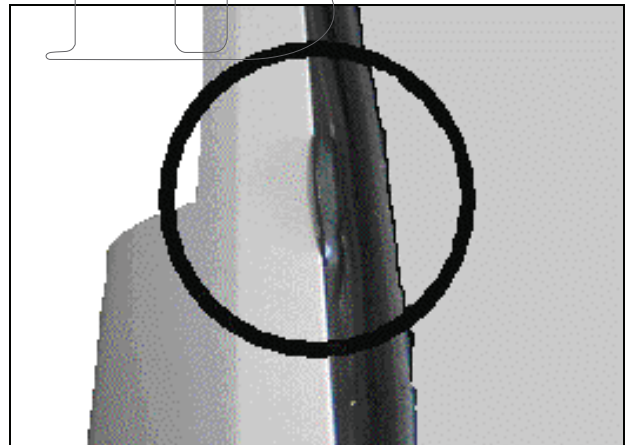
RE-ASSEMBLY

2.1) The procedure for assembling the lid is the reverse of taking it apart

2.2) Support one frame on a solid surface and push the acrylic and the other frame into place



2.3) As the frames are pushed together care should be taken to ensure that the seal enters the frame correctly. It must not be allowed to bunch up or miss the slot in the frame.



===000===