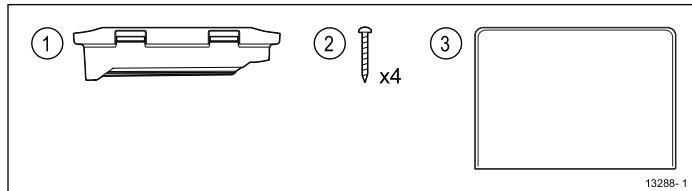


## CPT-DV(S) Hull / Step / Trolling motor bracket

### Parts supplied

The parts supplied with your product are shown below.



1. Hull / Step / Trolling motor bracket
2. Fixings
3. Documentation

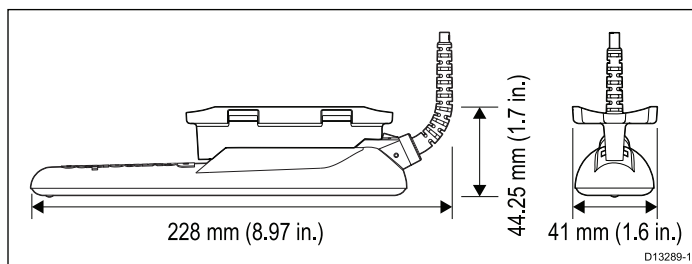
### Additional parts required

The following additional parts are required to mount the bracket on a trolling motor:

- **Adjustable straps (hose clamps)** — The adjustable straps should be of adequate diameter for your trolling motor and be a maximum of 15 mm (0.6 in) wide and 2 mm (0.08 in) thick.
- **Cable ties** — are required to secure the transducer cable to the trolling motor.

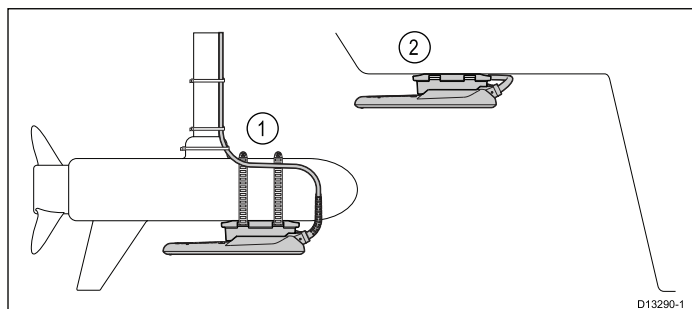
### Product dimensions - CPT-DV(S) Hull / Step / Trolling motor bracket

The transducer's dimensions including the Hull / Step / Trolling motor bracket are shown below.



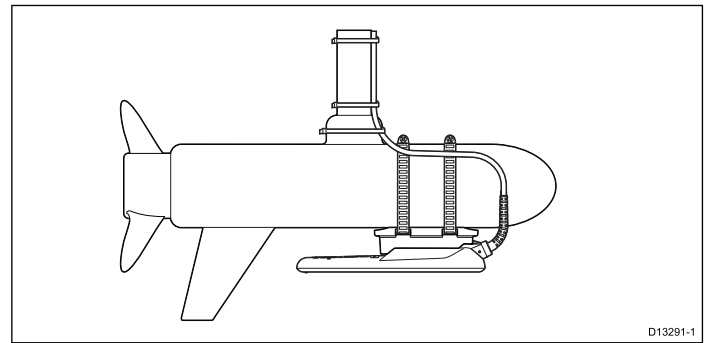
### Mounting options

The Hull / Step / Trolling motor bracket can be used to mount a CPT-DV / CPT-DVS transducer to the underside of a hull or to a trolling motor.



1. Trolling motor mount
2. Hull / under step mount

### Mounting on a Trolling motor



1. Slide the transducer onto the bracket until it clicks into place.
2. Slide the adjustable straps through the slots in the bracket.
3. Fit the adjustable straps (not supplied) over the trolling motor.
4. Position the transducer on the underside of the trolling motor; so that it will be horizontal (pointing straight down) when the trolling motor is in use.
5. Tighten the straps until the transducer position is fixed.
6. Use cable ties to secure the transducer cable to the trolling motor, ensuring that there is sufficient slack remaining in the cable to allow the trolling motor to turn.

**Overtightening the straps may cause damage to the bracket and / or trolling motor.**

### Hull or (under) step mounting

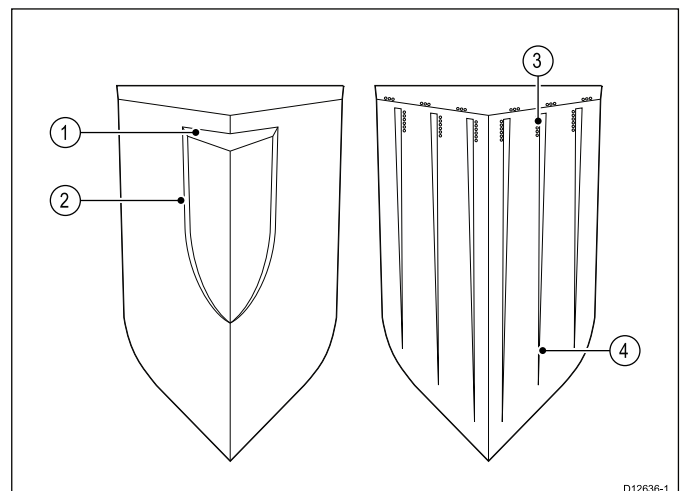
#### Selecting a location for the transducer

The guidelines below should be followed when selecting a location for the transducer using the hull / step / trolling motor bracket.

**Note:** The transducer should not be installed aft of the propeller(s).

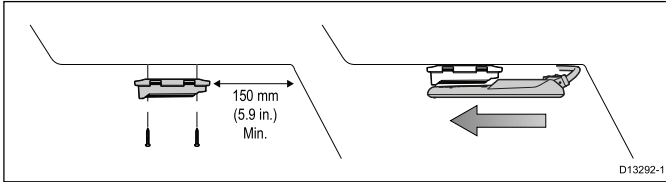
For best performance the transducer must be installed in a location with the least turbulence and aeration.

- The transducer should be mounted on a horizontal surface.
- Mount close to the keel (centerline), in a position where the transducer element will be fully submerged when the vessel is planing and turning.
- Mount a suitable distance from the propeller(s) to avoid wake.
- Turbulence can be caused by a number of other factors such as steps (1), ribs (2), rows of rivets (3) and strakes (4). The turbulence appears aft of these locations.



- Air trapped under the front of the vessel can travel under the hull and appear as aeration.

- If installing under the step on a stepped transom, ensure sufficient room is left in front of the bracket to allow the transducer to be fitted.



D13292-1

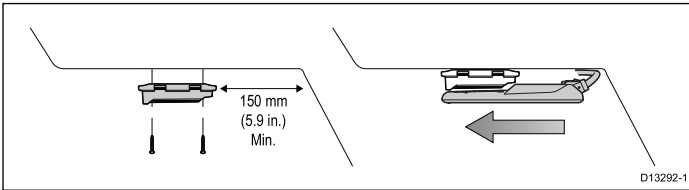
**Note:** Optimum transducer location will vary depending on hull type.

## Mounting the bracket

The steps below describe using the bracket to mount the transducer to the hull or the underside of a stepped transom.

Before mounting ensure that you have:

- selected a suitable horizontal mounting surface
- identified the route that the cable(s) will take

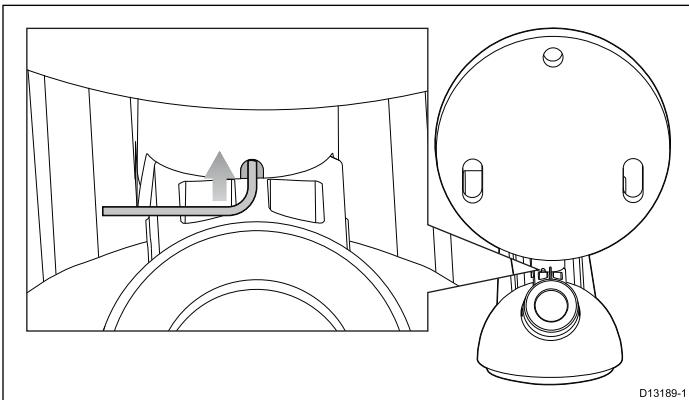


D13292-1

1. Hold the bracket in position and mark the surface through the bracket's mounting holes.
2. Drill 4 x holes for the fixing screws.
3. Fill the holes with marine grade sealant.
4. Using a pozi-drive screw driver and the screws provided, secure the bracket to the surface.
5. Slide the transducer onto the bracket until it clicks into position.

## Removing the transducer

The transducer can be released from the bracket by inserting a small metal rod such as a paperclip into the transducer release hole located as shown.



D13189-1

1. Insert the metal rod into the transducer release hole.
2. Slide the transducer off of the bracket.