

*Keeping You  
Safe and Sound*



## Product Overview

The TB-520 AIS beacon is built as a personal MOB locating device which can greatly enhance a vessel to find and rescue a missing crew.

Carrying it onboard with a lifejacket, this device can be activated immediately in emergency situation, and an SOS message containing GPS positions and unique ID will be sent out to nearby vessels via AIS signal, to assist search and rescue.

## Key Features



Provides accurate GPS position information to assist fast locating.



High beam LED sending SOS message for clear indications.



Compatible with AIS equipments, e.g. chartplotters.



Typical 36 hours operating time.



Support automatic (water sensor) or manual activation.



5 year battery life.



Small and lightweight design for easy lifejacket fitting.



IP68 waterproof and 50m immersion depth.

## Applications

► Cruise Ship



► Offshore Platform



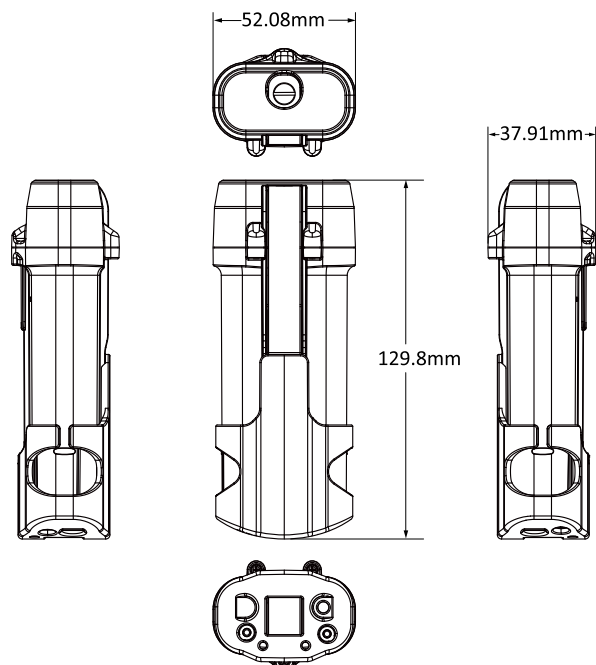
► Fishing Boat



► Water Recreation



## DIMENSIONS



## EQUIPMENTS IN THE BOX

- TB-520 AIS MOB x1
- Carrying pouch x1
- User guide x1
- Oral clip x1
- Test tab x1



## SPECIFICATIONS

### ▶ APPLICABLE STANDARDS

IEC 60945	EN 303098 - 1 V1.2.1
IEC 61108-1	EN 303098 - 2 V1.2.1

### ▶ VHF PERFORMANCE

Frequency	AIS 1, 161.975MHz AIS-2, 162.025 MHz
Data Rate	9,600bps
Tx Power	2W (1W EIRP)
Bandwidth	25 KHz
Modulation	GMSK
Range	4nm typical with receiver antenna > 5m above sea level
AIS Message Type	Message 1 (UID, GPS position, SOG, COG) Message 14 (MOB ACTIVE or MOB TEST)

### ▶ GPS PERFORMANCE

Receiving Channels	50
Frequency	L1, 1575.42 MHz
Tracking Sensitivity	(-159 dBm)
Reacquisition	(-159 dBm)
Position Update	Every minute
Position Accuracy	< 2.0 m SBAS < 2.5 m Autonomous

### ▶ ACTIVATION METHOD

Manual activating or automatic activating with water sensor by immersion

### ▶ BATTERY

Type	Primary Lithium (not rechargeable)
Operating Time	36 hours at -10°C, typical
Storage (battery life)	5 years, replacement due after emergency use

### ▶ ENVIRONMENTAL

Operating Temperature	-20°C~55°C
Storage Temperature	-30°C~70°C
Waterproof	IP68
Immersion depth (optional)	50m
Compass Safe Distance	0.8m

### ▶ GENERAL/PHYSICAL

Model No.	TB-520
Size	129x52x40mm (L*W*D)
Weight	170 g (main unit only)

Note: Specifications are subject to change without prior notice.



Alltek Marine Electronics Corporation

14F-2, No. 237, Sec. 1, Datong Road, Xizhi District,  
New Taipei City, 22161, Taiwan  
Tel: +886 2 8691 8568 Fax: +886 2 8691 9569

## Sales Contact

For more information, please contact your local representative or Alltek Marine at

sales@alltekmarine.com

[www.alltekmarine.com](http://www.alltekmarine.com)

Distributor/Dealer