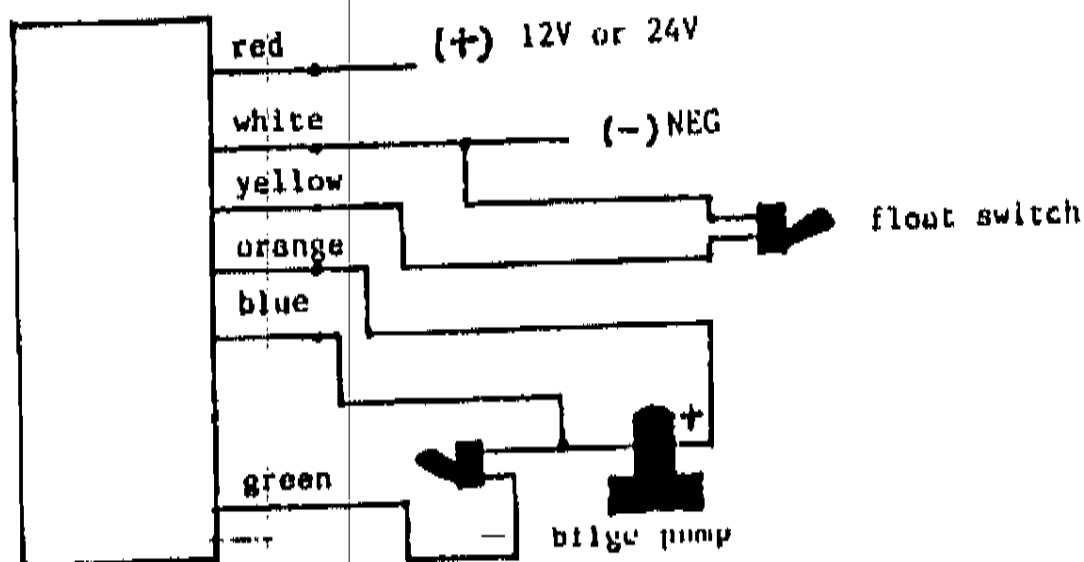


BILGE PUMP ALARM SWITCHINSTALLATION

The pump is mounted in the bilge with its operating float switch mounted 20 mm higher than pump. A second alarm float switch is then installed approx. 200 mm above the pump float switch.

Connect wiring as below:



Use min. No. 16G cable.

OPERATION

1. With the control switch on manual, the pump float switch will be bypassed and the pump will run continuously. (Care should be taken to ensure the pump does not run dry.)
2. With the control switch on auto, the pump will be controlled automatically by the lower float switch. Should this float switch fail and the water builds up to the upper float switch then the alarm will sound. An important feature of this panel is that the alarm float switch not only sounds the alarm, but it also starts the pump operating.
3. The same feature applies if the control switch is left in the off position. When the water level reaches the alarm float switch, the alarm will sound and the pump will start up. This provides a safety backup by ensuring the water level will not rise above the alarm float switch even when unattended.