

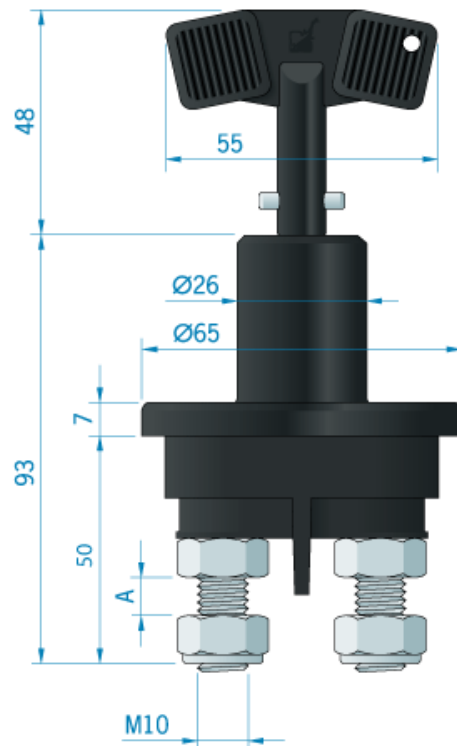


Battery switch for accumulator up to 250 A/24 V

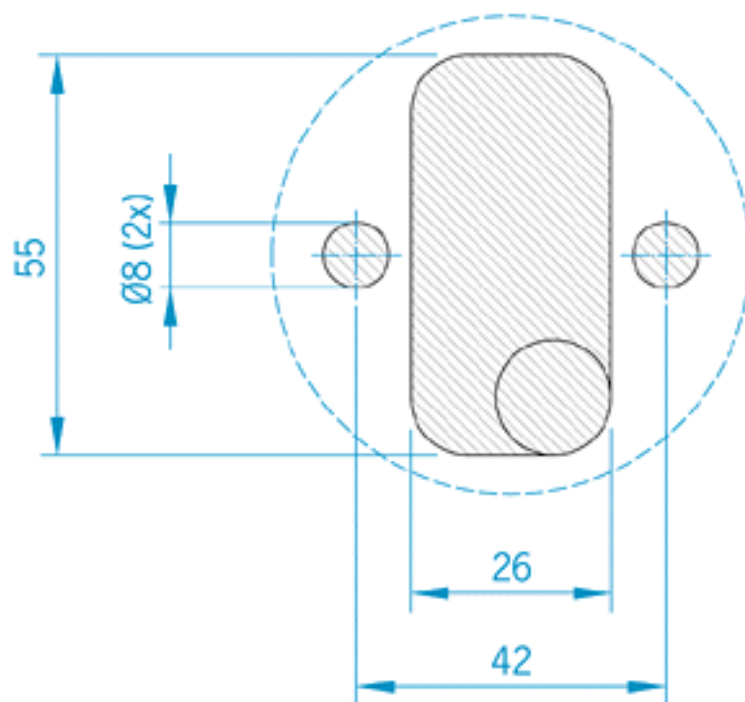
Breaking capacity 250 A/24 V. Short-time current 1000 A DC/5s. Thermoelectric current 250 A DC. Isolation voltage 1000 V DC. Removable key. Housing flame-proof plastic (PA). Contact bridge and pole screws - DIN 1787 CU = 99.99% - Tin-plated. Lock nuts: Stainless steel.

Art.no.	Material	A = mm	Note
460232	Plastic (PA+GF)	10	
460233	Plastic (PA+GF)	3	
460310	Plastic		Extra key, black

Å» Gray marked items: No stock item, only against production order. Please contact us for delivery time and minimum quantities.



Hålmall / Cut out



Related products



**Battery switch for accumulator
up to 250 A/24 V**

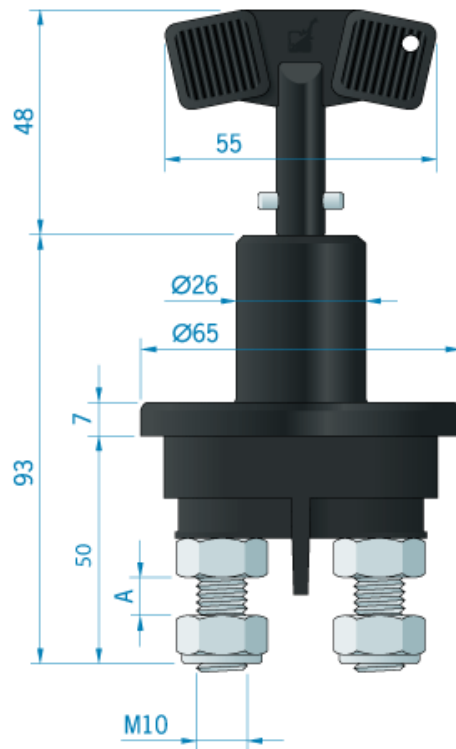
Item no: : 460234 - 460311



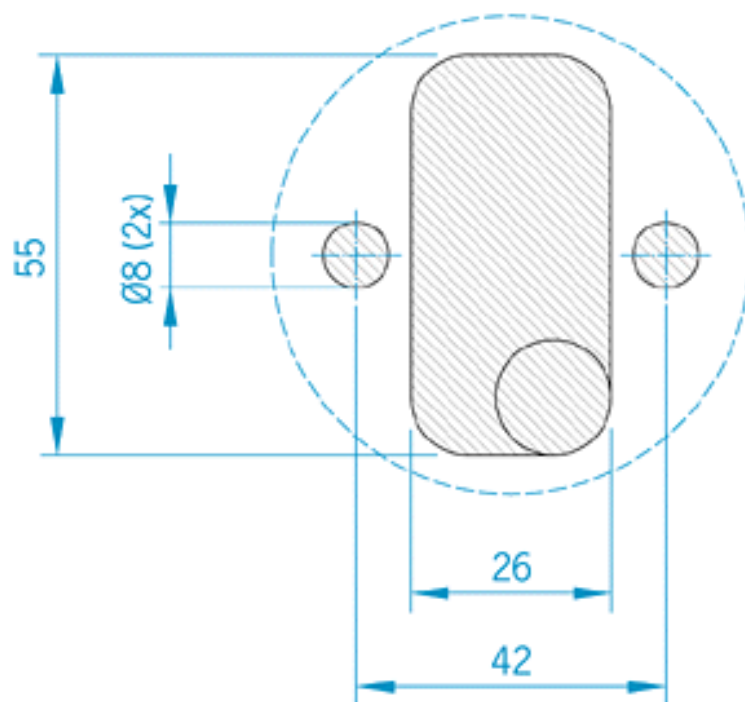
Akkuhauptschalter bis zu 250 A/24 V.

Ausschaltleistung 250 A/24 V. Kurzzeitstrom 1000 A Gleichstrom/5 Sek. Thermischer Strom 250 A Gleichstrom. Isolationsspannung 1000 V Gleichstrom. Abnehmbarer Schlüssel. Schaltgehäuse: Feuerbeständiges Polyamid. Schalterbrücke und Polbolzen DIN 1787 CU = 99,99% verzinkt. Kontermuttern: Edelstahl, rostfrei.

Art.no.	Material	A = mm	Bemerkung
460232	Kunststoff (PA+GF)	10	
460233	Kunststoff (PA+GF)	3	
460310	Kunststoff		Extraschlüssel, schwarz



Hålmall / Cut out



Ähnliche Produkte



Akkuhauptschalter bis zu 250
A/24 V.

Artikelnr. : 460234 - 460311