

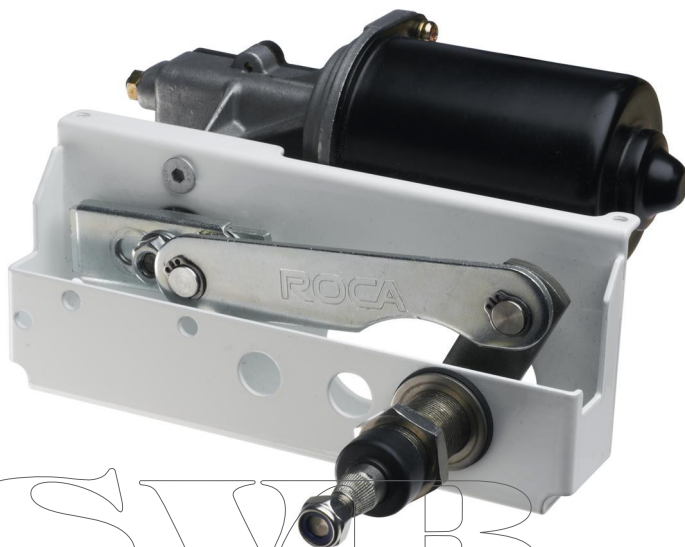


ROCA[®]

WIPER MOTOR | W25

Installation Instructions

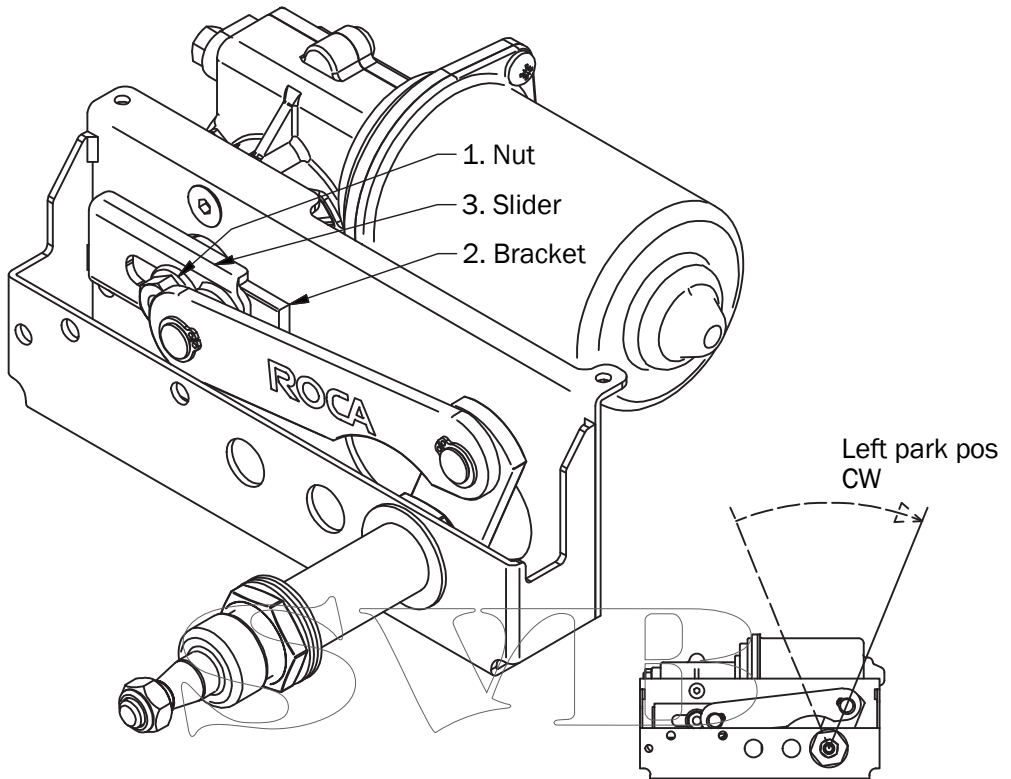
Before installation please read these instructions.



SWIB

- 2 Speed, self-parking
- Heavy Duty motor, 25Nm
- Wipershaft in stainless steel
- Various sweep angle: 45 - 110°
- Dynamic park circuit
- Internal thermoswitch
- Insulated ground
- EMC protected
- Powers up to 750mm/750mm - Arm/blade combinations

Instructions - Adjusting the sweep angle and parking position



Changing the parking position. (Must be done before installation)

Before the parking position is changed, the wiper motor should be in parked position (Default is set to left).

Keep battery main switch turned off during any operation inside of the wiper motor.

- Loosen the nut (1), keep the nut on shaft.
 - Bend the bracket (2) loose from shaft and rotate it 180°.
- (Note: Be careful when loosening the bracket so the shaft doesn't rotate, then the parking position will be wrong).
- When the slider and bracket are in position, tighten the nut firmly.
- Position for slider see, Change of wiped angle.

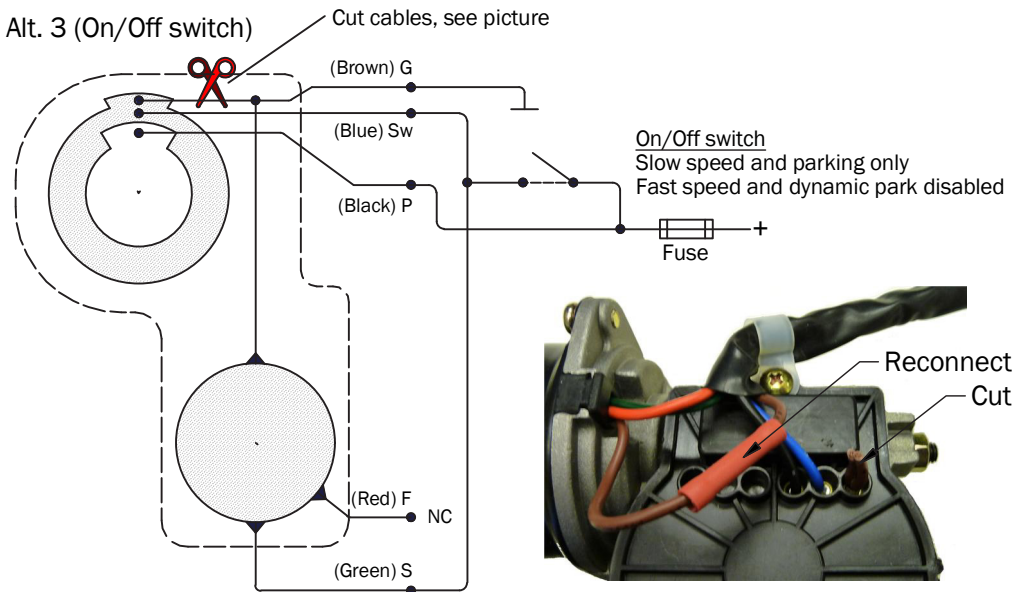
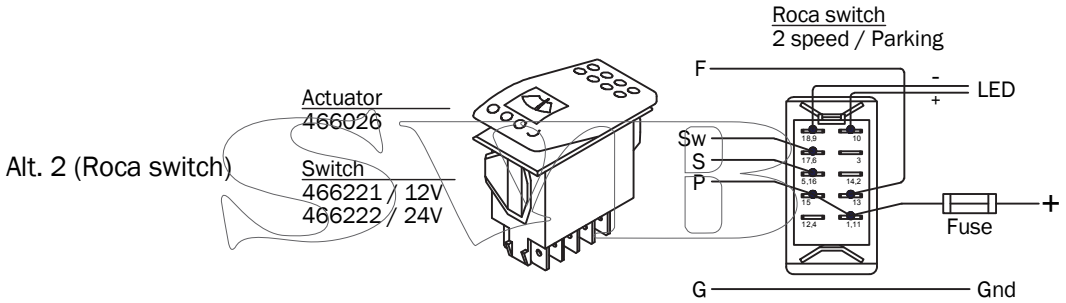
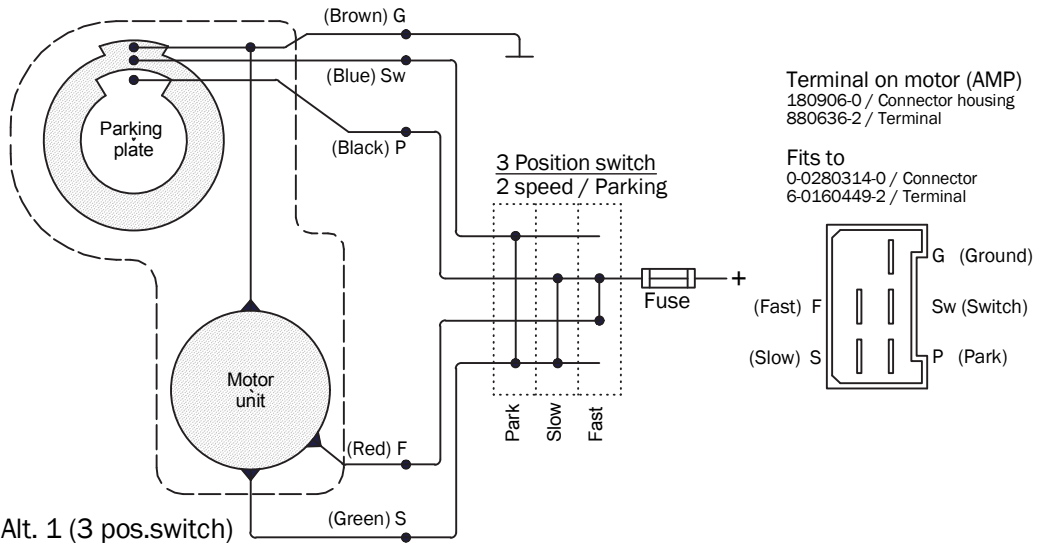
Change of wiped angle.

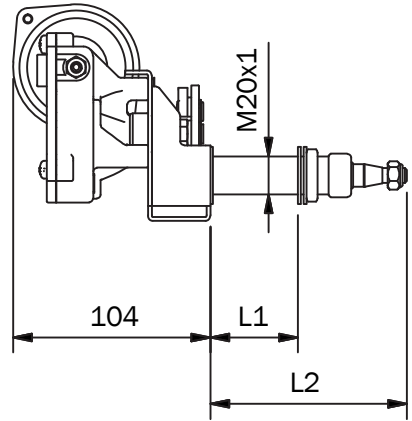
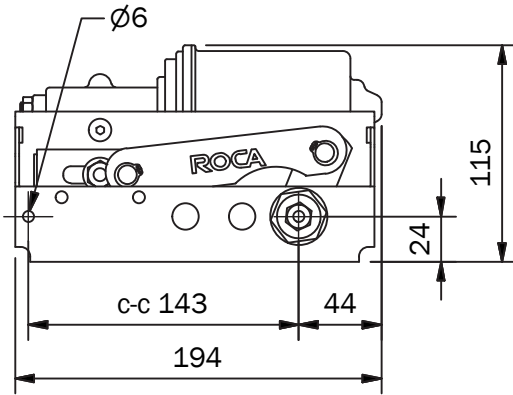
The wiped angle can be set at any point between 45° and 110°.

(Default is set to 45°).

Keep battery main switch turned off during any operation inside of the wiper motor.

- Loosen the nut (1).
- Move the slider to desired angle position and tighten the nut firmly.





Variations:

Max length:		Voltage input:	
L1	L2	12 V	24 V
28	78	531015	531016
53	103	531025	531026
78	128	531035	531036

Current diagram:	12 V	24 V
No load	< 3 A	< 1,5 A
Normal running	< 7 A	< 4 A
Stall	< 30 A	< 15 A
Fuse	25 A	15 A

Limited warranty

- Roca warrants the wiper motors to be free from defective material and workmanship for a period of 3 years from the date of purchase.
- This warranty does not apply to failure or damage caused by improper installation, misuse, lightning strike or damage from a power surge.
- If failure occurs during this period, return it to your dealer for repair or replacement.

Wiper arms and blades:



Adjustable tip
536230 EP
538230 Black



Pantograph
536330 EP
538330 Black



Blade (22" - 30")
520822 - 30