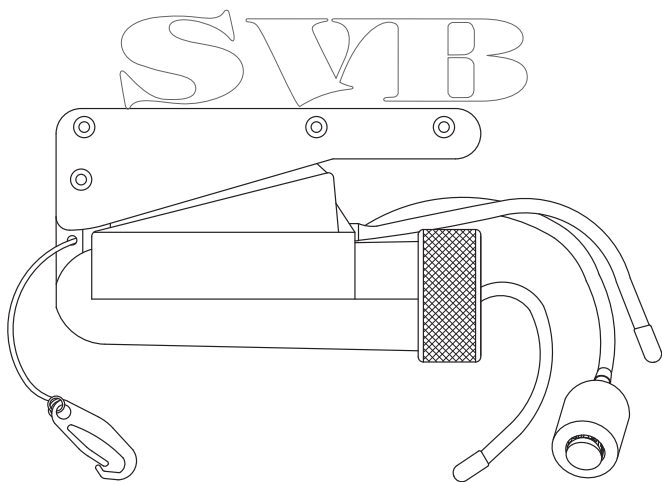


KATADYN®

MAKING WATER DRINKING WATER

Survivor 06

(Model #8013418/#8013419)



GB

DE

FRA

NL

DK

SWE

NOR

FIN

IT

ESP

POR

English

Thank you for purchasing the Katadyn Survivor-06 desalinator. It was designed and built to rigorous specifications by Katadyn Products Inc., to provide fresh water in emergency situations. Please before operating the Survivor, take the short time needed to read this Manual. This small investment of time will help assure many years of trouble-free operation. Be sure to fill in the enclosed warranty card and return it to us as soon as possible. This is required to fulfill the terms of your warranty.

Important Precautions

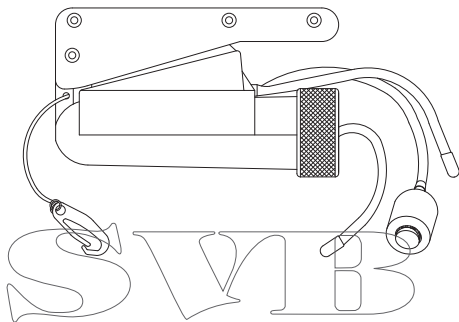
- **Avoid** sucking in oil, gasoline, or other petroleum-based products – they will quickly destroy the membrane.
- **Avoid** drawing water from a confined source. As the salt concentration increases, the unit will become harder to pump.
- **Do not adjust** the relief valve. This valve is preset in the factory. Adjusting this valve can damage the pump and void your warranty.
- It is normal to detect a slight taste in the fresh water. However, do not drink water with a strong salt flavor.
- The strainer may eventually clog and need rinsing. If the unit is hard to pump, either the strainer is clogged or the water is unusually cold or salty.
- During prolonged emergency use, pump the unit for at least 10 minutes each day to keep seawater from stagnating inside the unit.
- If the unit will not be used again for several days, remove any accessible seawater from it. To do so, remove the intake strainer and hose from the feed water. Turn the unit upside down, and pump the handle up and down normally until water stops coming out.
- After the unit has been used, flush the membrane with membrane preservative before storing it again. This will prevent the growth of bacteria inside the unit. Refer to "Storage" below.
- If the feedwater has an high bacteria content, use membrane preservative daily.
- Store the membrane preservative in a dry, ventilated area.
- **IMPORTANT:** For your safety, we require that an inspection be completed **once a year**. Our regional service centers are trained to perform all necessary quality checks or you can return the unit to Katadyn for inspection.

IMPORTANT: The Survivor-06 is designed for use in emergency conditions. After it has been used once under such conditions, consult your dealer to determine if any service is required.

Product Specifications

The Survivor-06 is the smallest hand-operated watermaker worldwide, able to produce over 6 gallons (~21 liters) of potable water per day from seawater.

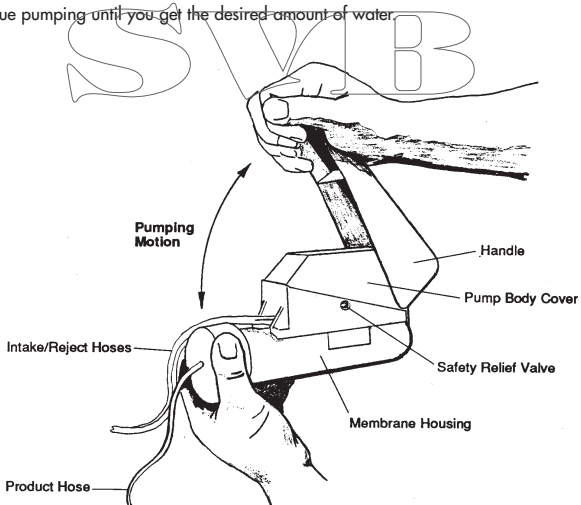
A semipermeable membrane inside the unit acts as a molecular filter. When seawater is pressurized to 800 psi (~55 bar) by pumping the handle and forced against the membrane, only the water molecules can pass through: salt molecules are unable to pass, and flow out of the system.



Technology:	Reverse Osmosis
Salt rejection:	98.4% on average (96.8% minimum). The desalination degree effect depends on different influence factors such as pressure, throughput and the quality of water.
Permeate Flow:	0.89 l/h +/- 15%
Weight:	1.13 kg (2.5 lbs)
Dimensions:	12.7 x 20.3 x 6.4 cm (5" x 8" x 2.5")
Guarantee:	1 year
Material:	Pump: Stainless Steel, plastic Membrane approved by the US FDA (Food and Drug Administration)

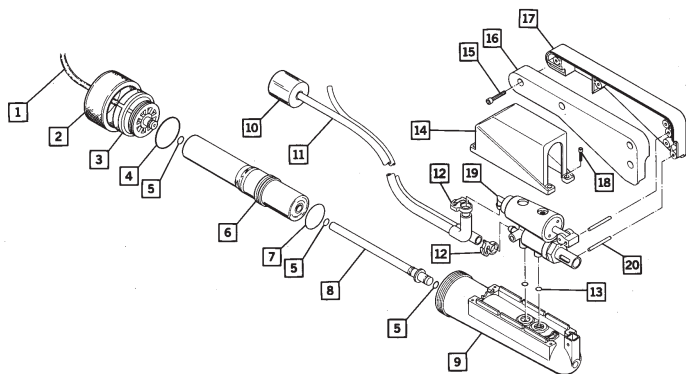
Operating Instructions

1. Pull the black intake strainer (and attached double hose) from its storage space inside the handle. Lower the strainer into the seawater, making sure it will be fully submerged to keep air from getting into the hose.
2. For now, position the (smaller) freshwater hose so water coming from it will also drain overboard.
3. Place one hand under the end cap and the other over the end of the handle as shown in Figure 1-1.
4. Look for the cleanest water source possible. The dirtier the water, the shorter the life of the unit.
5. Pump the handle up and down (as far as it will go in each direction) at a comfortable speed – about 40 strokes per minute. If water is not drawn in, prime the pump by pumping the handle rapidly while you hold the unit near or below the water line. Once the seawater is circulating through the unit, slow to 40 strokes per minute.
6. Once water drips from the freshwater hose, pump at least 80 strokes (two minutes) while pumping the water overboard. This will clear the system of membrane preservative solution and salt that passes through the membrane when not in use. Then insert the freshwater hose into the storage container, or directly into your mouth.
7. Continue pumping until you get the desired amount of water.



(Figure 1-1)

Key Components



SVIB

(Figure 1-2)

1. Product Hose (8013208)
2. Cap membrane housing (8013198)
3. End plug membrane housing (8013161)
4. O-ring (8013190)
5. O-ring (qty: 4, 8013239)
6. Membrane module (8013165)
7. O-ring, brine seal already installed
8. Plug (8013193)
9. Membrane Housing (8013156)
10. Weight and strainer (8013287/8013197)
11. Intake/Reject Hose (8013284)
12. Clamps (8013246/8013203)
13. Two different O-rings (8013243/8013244) and one seal (8013011)
14. Pump Body Cover (8013160)
15. Screw, handle (qty. 4, 8013019)
16. Left handle (8013164)
17. Right handle (8013163)
18. Screw, cover (qty: 4, 8013200)
19. Pump Body (8013153)
20. Handle pin (qty: 2, 8013188)

Storage (7 days or longer)

The Survivor-06 is shipped from the factory with a membrane preservative solution inside, to prevent the growth of bacteria. After the unit has been operated and before it is stored again, it should be flushed with membrane preservative solution as outlined below.

IMPORTANT: Never let the membrane dry out. Be sure to follow these storage instructions.

1. Turn the unit upside down, with the intake strainer out of the water.
2. Fill a suitable container with about a quart (approximate 1 liter) of clean water. Freshwater is preferable, but clean seawater can be used if freshwater is not available.
3. Mix one spoonful (10 grams) of the membrane preservative with water until dissolved.
4. Place the intake strainer into the membrane preservative solution, and pump until water starts flowing out of the reject hose (indicating that the membrane housing is filled). Stop pumping immediately after water begins to flow from the reject hose.
5. If seawater was used to mix the membrane preservative solution, repeat the above procedure with freshwater as soon as it is available.
6. Rinse any membrane preservative solution off the outside of the unit. Allow the unit to dry completely before storing.

IMPORTANT: For your safety, we require that the above procedure be completed **once a year** (storage temperature < 25°C/77°F). Please be aware to use **only** biocides supplied by Katadyn for your product. Other products like chlorine-based products will damage your membrane.

Limited Warranty

Your Survivor-06 is warranted for one (1) year from the date of purchase against defects in materials and workmanship. Should your Katadyn Survivor prove defective within one year from the date of purchase, return it to the Katadyn retailer from whom it was purchased. If you do not receive a satisfactory resolution, contact Katadyn Consumer Relations at 1-800-755-6701 for service assistance. Please retain your purchase receipt as proof of date purchased. This warranty gives you specific legal rights and you may have other legal rights that vary from state to state.

Katadyn North America

Katadyn North America Inc.
4830 Azelia Avenue North #300
Minneapolis, MN 55429 / USA
Tel +1 (800) 755-6701
Fax +1 763 746 3540
marine@katadyn.com
www.katadyn.com

Katadyn Products Inc.

Pfäffikerstrasse 37
8310 Kempthal / Switzerland
Phone: +41 44 839 21 11
Fax: +41 44 839 21 99
www.katadyn.com
info@katadyn.ch

SWIB

 **KATADYN®**

MAKING WATER DRINKING WATER

Katadyn North America

Katadyn North America Inc.
4830 Azelia Avenue North #300
Minneapolis, MN 55429 / USA
Tel +1 (800) 755-6701
Fax +1 763 746 3540
marine@katadyn.com
www.katadyn.com

Katadyn Products Inc.

Pfäffikerstrasse 37
8310 Kempththal / Switzerland
Phone: +41 44 839 21 11
Fax: +41 44 839 21 99
www.katadyn.com
info@katadyn.ch