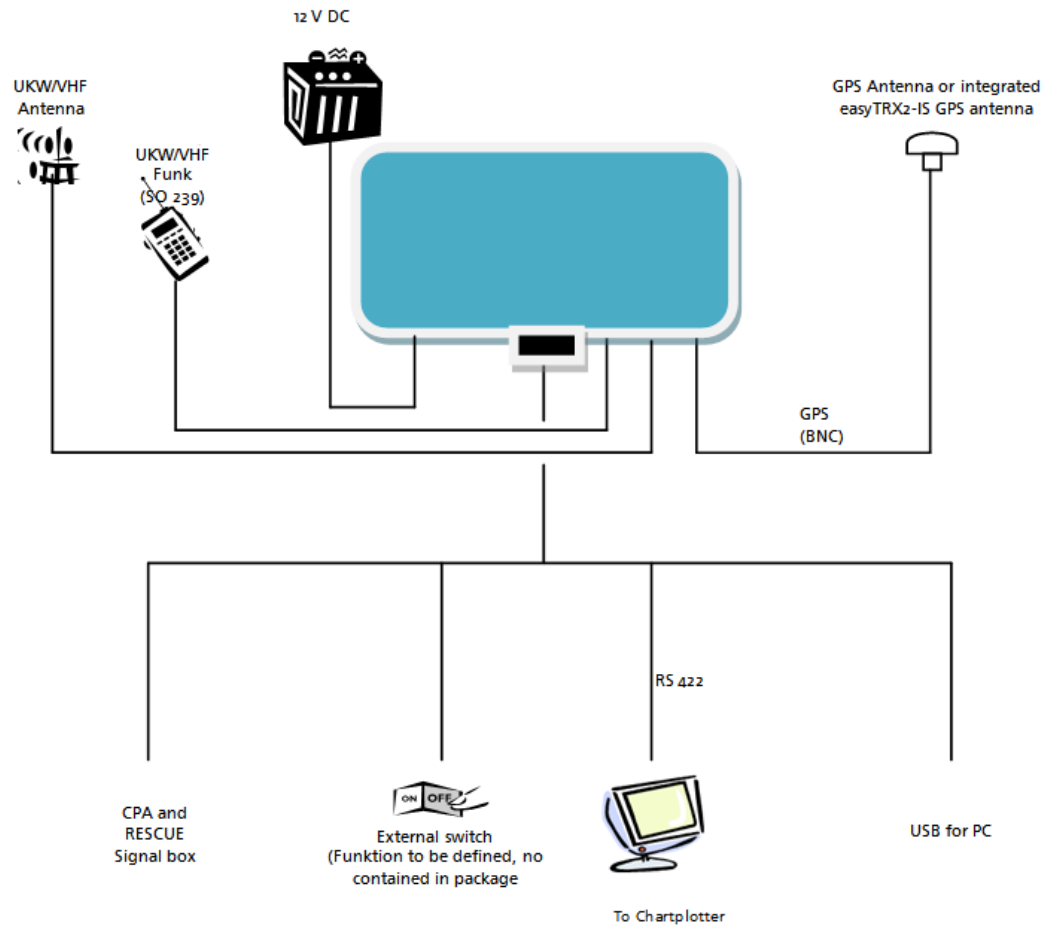
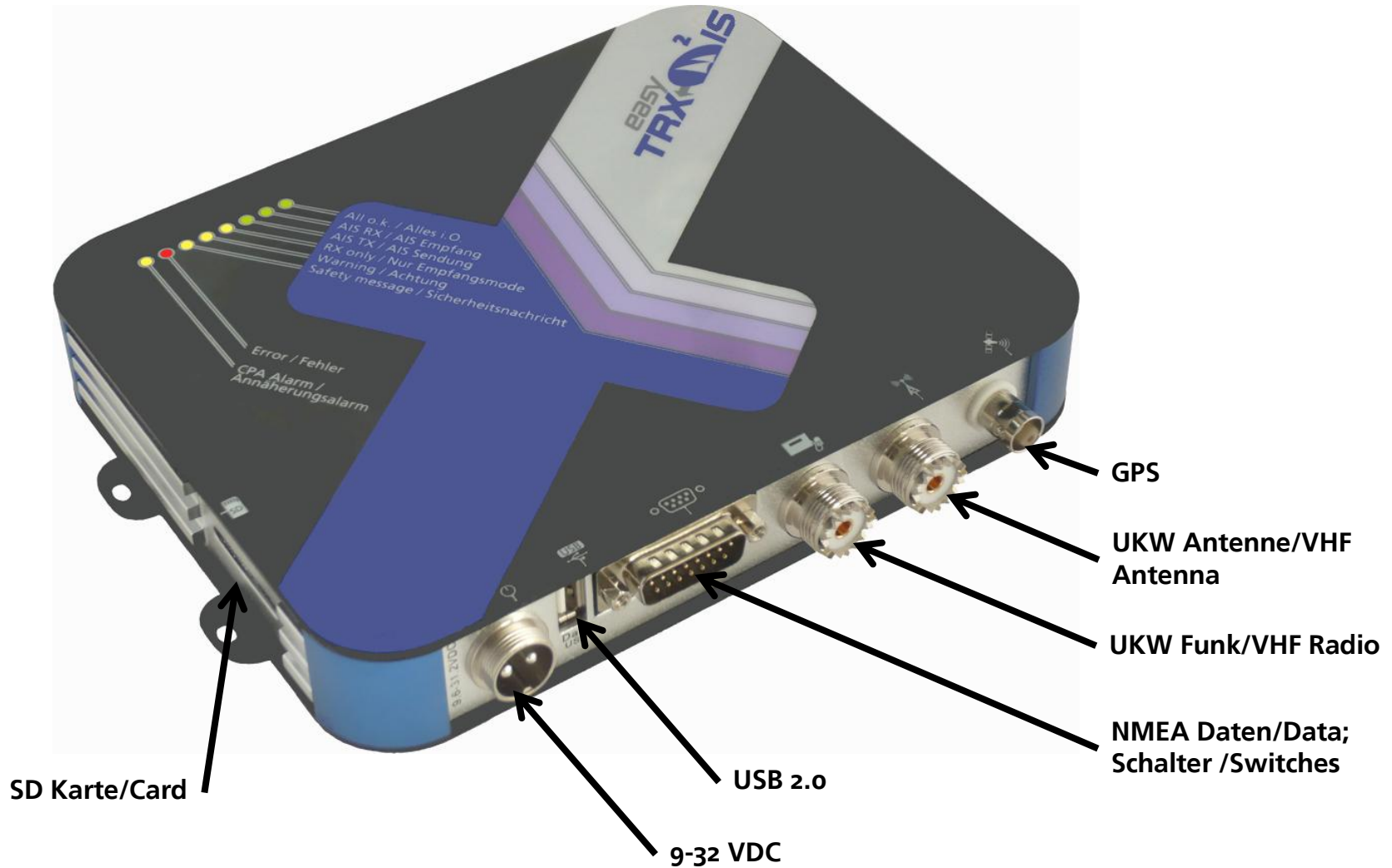


Anschlusschema/Schematics

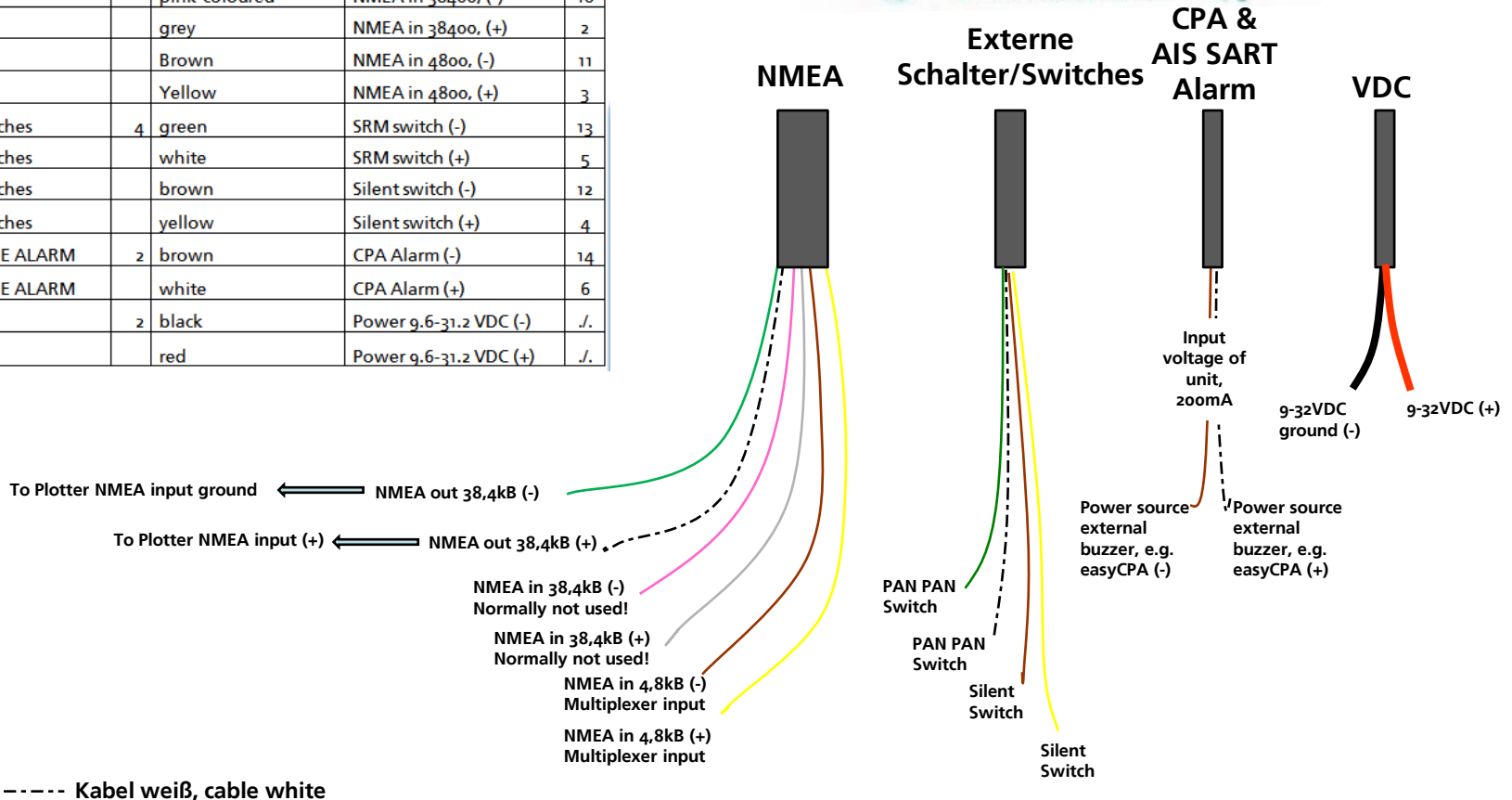


Anschlussschema/Schematics



Anschlussschema/Schematics

Pos	Kabeltyp	Anzahl Kabel	Kabelfarbe	Funktion	Pinnummer
1	NMEA	6	green	NMEA out 38400, (-)	9
2	NMEA		white	NMEA out 38400, (+)	1
3	NMEA		pink-coloured	NMEA in 38400, (-)	10
4	NMEA		grey	NMEA in 38400, (+)	2
5	NMEA		Brown	NMEA in 4800, (-)	11
6	NMEA		Yellow	NMEA in 4800, (+)	3
7	External switches	4	green	SRM switch (-)	13
8	External switches		white	SRM switch (+)	5
9	External switches		brown	Silent switch (-)	12
10	External switches		yellow	Silent switch (+)	4
11	CPA & RESCUE ALARM	2	brown	CPA Alarm (-)	14
12	CPA & RESCUE ALARM		white	CPA Alarm (+)	6
13	Power	2	black	Power 9,6-31,2 VDC (-)	./.
14	Power		red	Power 9,6-31,2 VDC (+)	./.



----- Kabel weiß, cable white