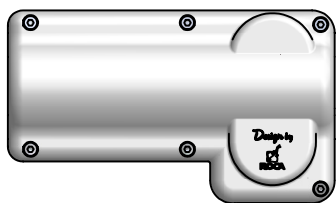


Wiper control

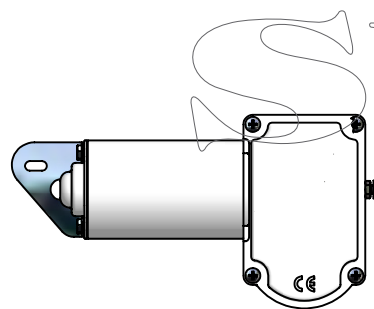


Wiper motors



W10 Waterproof

530011/21/31 12V
530012/22/32 24V



W10 Std.

525991/4991 12V
525992/4992 24V

SWIB

Item no.
532003

Voltage
12 / 24 V

3 motors
Helm seat motor, 2 or 3 motors
Synchronized sweep
Interval
Slow speed
Fast speed
Washer output



www.rocaindustry.com

Function for switch

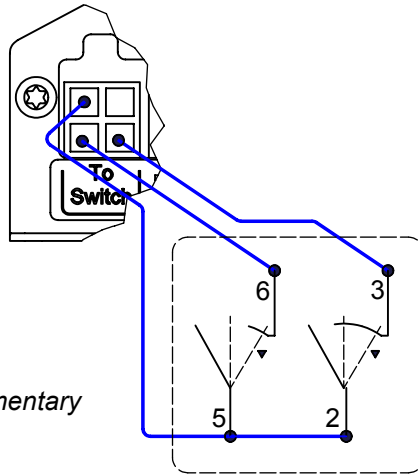
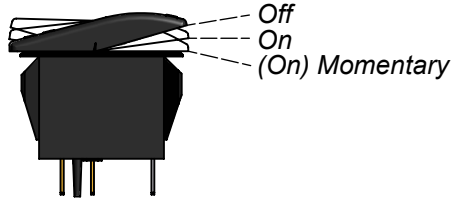
- One push to the on position will start 3 motors in synchronized interval.
- One more push to momentary will run 3 motors slow speed synchronized.
- One more push will run 3 motors fast speed synchronized.
- One more push starts from interval and so on.

- One long push from off to momentary will start 1 motor in interval (wiper 1).
- One more push will run 1 motor slow speed.
- One more push will run 1 motor fast speed.
- One more push starts 1 motor from interval and so on.

Washer:

When running, push switch to momentary more than one second and washer will start.

If the wiper motors gets overloaded the power automatically breaks. Push switch to off, then to on and motor will start again.



Switch circuit
Off - 2&3 - (2&3,5&6)

SVBB

